

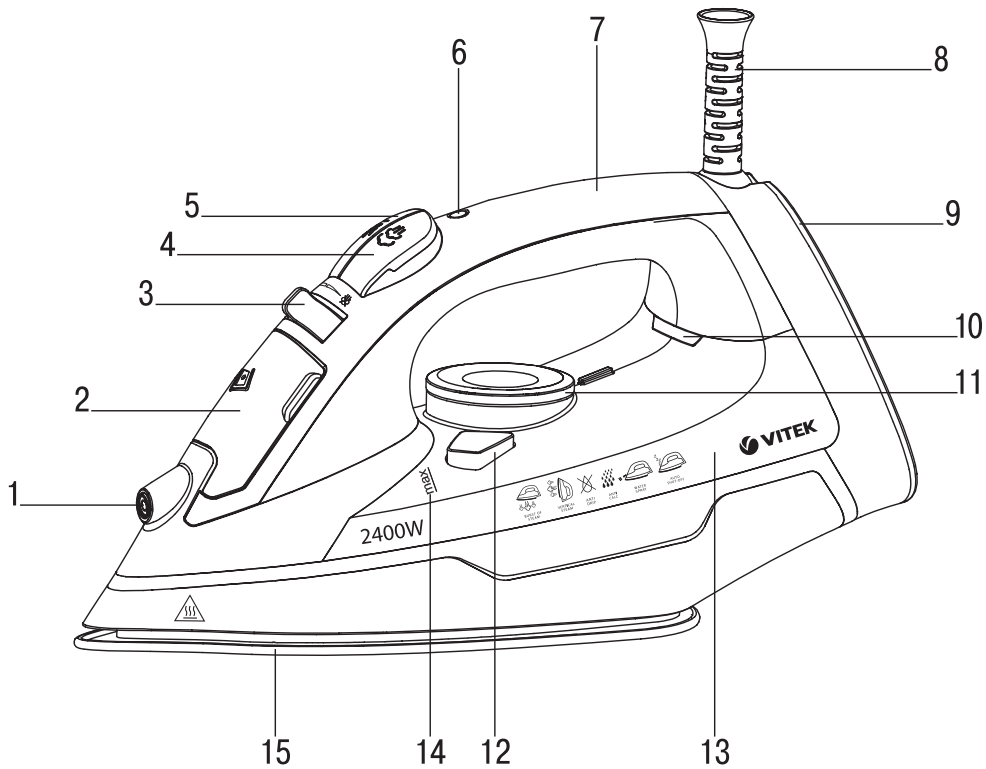
**VT-1257 VT**

Iron

Утюг

# Инструкция по эксплуатации

<b>GB</b> Manual instruction	<b>3</b>
<b>RUS</b> Инструкция по эксплуатации	<b>8</b>
<b>KZ</b> Пайдалану нұсқасы	<b>14</b>
<b>UA</b> Інструкція з експлуатації	<b>19</b>



**IRON VT-1257 VT**

The iron is intended for ironing clothes and bedding and for vertical steaming of fabrics.

**DESCRIPTION**

1. Water spray
2. Water inlet lid
3. Continuous steam supply knob
4. Burst of steam button
5. Water spray button
6. Auto switch off indicator
7. Handle
8. Power cord protection
9. Base
10. On/off indicator of the heating element
11. Temperature control knob
12. Self-clean button
13. Water tank
14. Maximum water level mark
15. Soleplate

**ATTENTION!**

For additional protection it is reasonable to install a residual current device (RCD) with nominal operation current not exceeding 30 mA. To install RCD, contact a specialist.

**SAFETY MEASURES**

Before using the electrical unit, read this instruction manual carefully and keep it for future reference.

Use the unit for intended purposes only, as specified in this manual. Mishandling of the unit may lead to its breakage and cause harm to the user or damage to property.

- Before switching the unit on, make sure that your home mains voltage corresponds to the unit operating voltage.
- The power cord is equipped with a euro plug; plug it into the socket with reliable grounding contact.
- To avoid fire, do not use adapters for plugging the unit in.
- To avoid mains overloading, do not switch on several electrical appliances with high power consumption at a time.
- Do not use the iron outdoors and in places with high humidity.
- Place the iron on a flat stable surface or use a stable ironing board.
- Attention! The surfaces of the iron get hot during operation. Avoid contact of open skin

areas with the iron's hot surfaces or outgoing steam to avoid burns.

- Do not fill the water tank with scented liquids, vinegar, starch solution, descaling reagents, chemicals etc.
  - Do not switch the unit on in places where aerosols are sprayed or highly flammable liquids are used.
  - Make sure that the power cord is not on the ironing board and it doesn't touch hot surfaces and sharp edges.
  - Never leave the unit connected to the mains unattended. During breaks in operation, put the iron on the base (in vertical position).
  - Before plugging/unplugging the iron, set the temperature control knob to the minimum position and switch the continuous steam supply off.
  - Always unplug the iron if you are not using it.
  - Always take the power plug out of the mains socket before filling the water tank with water.
  - The water inlet lid should be closed during ironing.
  - To unplug the iron always hold the power plug, never pull the power cord.
  - To avoid electric shock, do not immerse the iron, the power cord and the plug into water or any other liquids.
  - Before taking the iron away, let it cool down completely and pour out the remaining water.
  - Pour out water from the water tank only after unplugging the iron.
  - Never leave the plugged in iron unattended.
  - **Clean the unit regularly.**
  - **Do not touch the unit body and the power plug with wet hands.**
  - Do not allow children to touch the unit body and the power cord during the unit operation.
  - Do not leave children unattended to prevent using the unit as a toy.
  - For children safety reasons do not leave polyethylene bags, used as packaging, unattended.
- Attention!** Do not allow children to play with polyethylene bags or packaging film. **Danger of suffocation!**
- Do not use the unit if the power cord or the plug is damaged, if the unit works improperly or after it was dropped or in case of leakage.
  - This unit is not intended for usage by children under 8 years of age. Place the unit out of reach of children under 8 years of age during the operation and cooling down.

# ENGLISH

- This unit is not intended for usage by people (including children over 8) with physical, neural and mental disorders or with insufficient experience or knowledge. Such persons may use the unit only if they are under supervision of a person who is responsible for their safety and if they are given all the necessary and understandable instructions concerning the safe usage of the unit and information about danger that can be caused by its improper usage.
- There may be water residue in the tank, this is normal, as the iron has undergone factory quality control.
- Do not attempt to repair the unit. Do not disassemble the unit by yourself, if any malfunction is detected or after it was dropped, unplug the unit and apply to any authorized service center from the contact address list given in the warranty certificate and on the website [www.vitek.ru](http://www.vitek.ru).
- Transport the unit in the original package only.
- Keep the unit out of reach of children and disabled persons.

*THE UNIT IS INTENDED FOR HOUSEHOLD USE ONLY, ITS COMMERCIAL USAGE AND USAGE IN PRODUCTION AREAS AND WORK SPACES IS PROHIBITED.*

## BEFORE THE FIRST USE

**After unit transportation or storage at low temperature keep it for at least three hours at room temperature before switching on.**

- Unpack the iron; remove the protection from the iron soleplate (15), if any.
- Check the unit for damages; do not use the iron in case of damages.
- Before switching the iron on, make sure that your home mains voltage corresponds to the iron operating voltage.
- **There may be water residue in the tank, this is normal, as the iron has undergone factory quality control.**

**Note: When the iron is switched on for the first time, the heating element of the iron burns, therefore occurrence of foreign smell and a small amount of smoke is possible, it is normal.**

## WATER SELECTION

This iron has a built-in anti-scale system. Use tap water only to fill the tank (13). Using distilled

and/or demineralized water decreases the anti-scale system efficiency.

**Note: Do not fill the water tank (13) with scented liquids, vinegar, starch solution, descaling reagents, chemical agents etc.**

## FILLING THE WATER TANK

Before filling the iron with water, make sure that it is unplugged.

- Set the temperature control knob (11) to the «MIN» position and the continuous steam supply knob (3) to the utmost left position - the steam supply is off.
- Open the water inlet lid (2).
- Pour water into the water tank (13) and then close the lid (2) tightly.


### Note

- **Do not exceed the «MAX» mark (14).**
- **If you need to refill water during ironing, switch the iron off and unplug it.**
- **After you finish ironing, switch the iron off, wait until it cools down completely, then open the water inlet lid (2), turn over the iron and drain the remaining water.**

## IRONING TEMPERATURE

Before operation, test the heated iron on a piece of cloth to be sure that the iron soleplate (15) and the water tank (13) are clean.

- Always check the recommended ironing temperature indicated on the tag before ironing.
- If there is no tag with recommended ironing temperature, but you know the type of fabric, use the following table to determine the proper temperature.

Icons	Fabric type (temperature)
	do not iron
•	synthetics, nylon, acrylic, polyester (low temperature)
••	silk/wool (medium temperature)
•••	cotton/linen (high temperature)

- This table is only valid for smooth materials. Fabrics of other types (crimped, raised, etc.) are best ironed at low temperature.
- First sort items by ironing temperature: synthetics to synthetics, wool to wool, cotton to cotton etc.

- The iron heats up faster than it cools down. For this reason, it is recommended to iron the items which require low temperature first (for instance, synthetic fabrics). After that, start ironing at higher temperature (silk/wool). Cotton and linen items should be ironed last.
- If an item is made of mixed fabrics, the iron should be set to the lowest temperature (for instance, if an item is 60% polyester and 40% cotton, it should be ironed at temperature used for polyester ironing «•»).
- If you cannot define the fabric structure, find a spot that is inconspicuous when the item is being worn and select the ironing temperature experimentally (always start with the lowest temperature and raise it gradually until you get the desired result).
- Corduroy and other fabrics that become glossy quickly should be ironed strictly in one direction (in the direction of the pile) with slight pressure.
- To avoid appearance of glossy spots on synthetic and silk fabrics, iron them back-side.

## SETTING THE IRONING TEMPERATURE

- Place the iron on its base (9).
- Insert the power plug into the mains socket.
- Turn the temperature control knob (11) to set the required ironing temperature: «•», «••» or «•••» (depending on the type of fabric), the indicator (10) will light up.
- When the soleplate temperature (15) reaches the set value, the indicator (10) will go out, you can start ironing.

### Note:

- If you are ironing at high temperature but you need to switch to lower temperature, wait until the soleplate temperature decreases and the indicator (10) lights up, and only then you may start ironing. While steam ironing it is necessary to set the ironing temperature «•••», the steam ironing sector is marked with corresponding symbols on the temperature control knob (11).

## WATER SPRAY

- You can dampen the fabric by pressing the water spray button (5) several times.
- Make sure that there is enough water in the water tank (13).

## DRY IRONING

- Place the iron on its base (9).
- Insert the power plug into the mains socket.
- Set the continuous steam supply knob (3) to the utmost left position – the steam supply is off.
- Turn the temperature control knob (11) to set the required ironing temperature: «•», «••» or «•••» (depending on the type of fabric), the indicator (10) will light up.
- When the soleplate temperature (15) reaches the set value, the indicator (10) will go out, you can start ironing.
- After you finish ironing, set the temperature control knob (11) to the «MIN» position.
- Pull the plug out of the socket and let the iron cool down completely.

## STEAM IRONING

While steam ironing it is necessary to set the ironing temperature «•••», the steam ironing sector is marked with corresponding symbols on the temperature control knob (11). The iron is provided with an anti-drip valve that stops water supply if the soleplate temperature is too low, this prevents dripping from the soleplate (15) openings. During heating and cooling of the iron soleplate, you will hear characteristic clicks of the anti-drip valve opening/closing, which indicates its normal operation.

- Place the iron on its base (9).
- Set the continuous steam supply knob (3) to the utmost left position – the steam supply is off.
- Insert the power plug into the mains socket.
- Make sure that there is enough water in the water tank (13).
- Turn the temperature control knob (11) to set the required ironing temperature «•••», the indicator (10) will light up.
- When the soleplate temperature (15) reaches the set value, the indicator (10) will go out, you can start ironing.
- Turn the continuous steam supply knob (3) to set the steam generation rate, steam will start going out from the soleplate (15) openings. For easy use the continuous steam supply knob (3) has three fixed positions of steam intensity.
- After you finish ironing, set the temperature control knob (11) to the «MIN» position and the continuous steam supply knob (3) to the utmost left position – the steam supply is off.

# ENGLISH

- Pull the plug out of the socket and let the iron cool down completely.

## **ATTENTION!**

If the steam is not constantly supplied during operation, check whether the temperature control knob (11) is set properly and there is water in the water tank (13).

## **BURST OF STEAM**

The burst of steam function is useful for ironing folds and can only be used at high ironing temperatures (when the iron temperature control knob (11) is set to «•••» position).

- When pressing the burst of steam button (4) steam will go out of the iron soleplate more intensively.

**Note:** To avoid water leakage from steam openings, press the burst of steam button (4) with a 4-5 sec. interval.

## **VERTICAL STEAM**

Vertical steam function can be used only at high ironing temperatures (that is when the temperature control knob (11) is set to «•••»).

Hold the iron vertically at the distance of 10-30 cm from the clothes and press the burst of steam button (4) with 4–5 second intervals, steam will be released from the soleplate (15) intensively.

## **Important information**

Vertical steaming is not recommended for synthetic fabrics.

- To avoid fabric melting, do not touch it with the iron soleplate while steaming.
- Never steam clothes on a person as the steam temperature is very high, use a clothes hanger or a coat rack.
- After you finish ironing, switch the unit off, wait until it cools down completely, then open the water inlet lid (2), turn over the iron and pour out the remaining water.

## **AUTO SWITCH-OFF FUNCTION**

If the iron remains still for about 30 seconds in horizontal position or for about 8 minutes in vertical position, the heating element is switched off automatically, and the indicator (6) will be flashing. To switch the iron on again just start ironing.

**Note:** After the iron is switched on the preset soleplate temperature will be restored after some time depending on the temperature control knob (11) position.

## **STEAM CHAMBER CLEANING**

To prolong lifetime of the iron we recommend cleaning the steam chamber regularly.

- Set the continuous steam supply knob (3) to the utmost left position – the steam supply is off.
- Fill the water tank (13) until it is filled half way.
- Place the iron on its base (9).
- Insert the power plug into the mains socket.
- Turn the control knob (11) to set the maximal soleplate temperature «•••», the indicator (10) will light up.
- When the soleplate (15) reaches the desired temperature value, the indicator (10) will go out, you can start cleaning the steam chamber.
- Switch the iron off by setting the temperature control knob (11) to the «MIN» position. Remove the power plug from the mains socket.
- Hold the iron above the sink horizontally, press and hold down the self-clean button (12).
- Boiling water and steam with scale will be released from the iron soleplate (15) openings.
- Slightly sway the iron back and forth, until all the water leaves the water tank (13).
- Place the iron on its base (9) and let it cool down completely.
- When the soleplate (15) cools down completely, wipe it with a dry cloth.
- Before you take the iron away for storage, make sure that there is no water in the water tank (13) and that the iron soleplate (15) is completely dry.

## **CLEANING AND CARE**

- Before cleaning the iron, make sure that it is unplugged and has cooled down completely.
- Wipe the iron body with a slightly damp cloth and then wipe it dry.
- Scale on the iron soleplate can be removed with a cloth soaked in vinegar-water solution.
- After removing scale, polish the soleplate surface with a dry cloth.
- Do not use abrasives to clean the iron soleplate and body.
- Avoid contact of the iron soleplate with sharp metal objects.

## **STORAGE**

- Set the temperature control knob (11) to the «MIN» position and the continuous steam

supply knob (3) to the utmost left position – the steam supply is off. Remove the power plug from the mains socket.

- Open the water inlet lid (2), turn over the iron and drain any remaining water from the water tank (13).
- Close the lid (2).
- Put the iron vertically and let it cool down completely.
- Store the iron vertically in a dry cool place out of reach of children.

### TECHNICAL SPECIFICATIONS

Power supply: 230 V ~ 50/60 Hz

Power consumption: 2400 W

*The manufacturer reserves the right to modify the unit's design and specifications without prior notice.*

**Unit operating life is 3 years**

### RECYCLING



For environment protection do not throw out the unit and the batteries with usual household waste after its service life expiration; apply to the specialized center for further recycling.

The waste generated during the disposal of the unit is subject to mandatory collection and consequent disposal in the prescribed manner.

For further information about recycling of this product apply to a local municipal administration, a disposal service or to the shop where you purchased this product.

### Guarantee

Details regarding guarantee conditions can be obtained from the dealer from whom the appliance was purchased. The bill of sale or receipt must be produced when making any claim under the terms of this guarantee.



*This product conforms to the EMC Directive 2014/30/EU and to the Low Voltage Directive 2014/35/EU.*

# РУССКИЙ

## УТЮГ VT-1257 VT

Утюг предназначен для глажения одежды, постельного белья и вертикального отпаривания тканей.

### ОПИСАНИЕ

1. Разбрызгиватель воды
2. Крышка заливочного отверстия
3. Регулятор постоянной подачи пара
4. Кнопка дополнительной подачи пара
5. Кнопка разбрызгивателя воды
6. Индикатор автоматического отключения
7. Ручка
8. Защита сетевого шнура
9. Основание утюга
10. Индикатор включения/выключения нагревательного элемента
11. Регулятор температуры
12. Кнопка самоочистки
13. Резервуар для воды
14. Указатель максимального уровня воды
15. Подошва утюга

### ВНИМАНИЕ!

Для дополнительной защиты целесообразно установить в цепи питания устройство защитного отключения (УЗО) с номинальным током срабатывания, не превышающим 30 мА, для установки УЗО обратитесь к специалисту.

### МЕРЫ БЕЗОПАСНОСТИ

Перед началом эксплуатации электроприбора внимательно прочитайте настоящее руководство по эксплуатации и сохраните его для использования в качестве справочного материала.

Используйте устройство только по его прямому назначению, как изложено в данном руководстве. Неправильное обращение с устройством может привести к его поломке, причинению вреда пользователю или его имуществу.

- Перед включением убедитесь, что напряжение в электрической сети соответствует рабочему напряжению утюга.
- Сетевой шнур снабжён «евровилкой»; включайте её в розетку, имеющую надёжный контакт заземления.
- Во избежание риска возникновения пожара не используйте переходники при подключении прибора к электрической розетке.

- Во избежание перегрузки электрической сети не включайте одновременно несколько устройств с большой потребляемой мощностью.
- Не пользуйтесь утюгом вне помещений, а также в помещениях с повышенной влажностью.
- Ставьте утюг на ровную, устойчивую поверхность или пользуйтесь устойчивой гладильной доской.
- Внимание! Поверхности утюга нагреваются во время работы. Избегайте контакта открытых участков кожи с горячими поверхностями утюга или выходящим паром, чтобы избежать ожогов.
- Запрещается заливать в резервуар для воды ароматизирующие жидкости, уксус, раствор крахмала, реагенты для удаления накипи, химические вещества и т.п.
- Не включайте устройство в местах, где распыляются аэрозоли или используются легковоспламеняющиеся жидкости.
- Следите, чтобы сетевой шнур не находился на гладильной доске и не касался горячих поверхностей и острых кромок.
- Не оставляйте включённое в сеть устройство без присмотра. Во время перерывов в работе устанавливайте утюг на основание (в вертикальное положение).
- Перед отключением/подключением утюга к электрической сети установите регулятор температуры в минимальное положение и отключите постоянную подачу пара.
- Обязательно отключайте утюг от электрической сети, если вы им не пользуетесь.
- При наполнении резервуара водой обязательно вынимайте вилку сетевого шнура из электрической розетки.
- Крышка заливочного отверстия должна быть закрыта во время глажения.
- При отключении утюга от электрической сети всегда держитесь за сетевую вилку, никогда не тяните за сетевой шнур.
- Чтобы избежать поражения электрическим током, не погружайте утюг, сетевой шнур и вилку сетевого шнура в воду или в любые другие жидкости.
- Прежде чем убрать утюг, дайте ему полностью остыть и слейте остатки воды.
- Сливайте воду из резервуара только после отключения утюга от сети.



- Не оставляйте подключенный к сети утюг без присмотра.
- **Регулярно проводите чистку устройства.**
- **Не прикасайтесь к корпусу устройства и к вилке сетевого шнура мокрыми руками.**
- Не разрешайте детям прикасаться к корпусу устройства и к сетевому шнуру во время работы.
- Осуществляйте надзор за детьми, чтобы не допустить использования устройства в качестве игрушки.
- Из соображений безопасности детей не оставляйте полиэтиленовые пакеты, используемые в качестве упаковки, без присмотра.

**Внимание!** Не разрешайте детям играть с полиэтиленовыми пакетами или упаковочной плёнкой. **Опасность удушья!**

- Запрещается использовать устройство при наличии повреждений сетевой вилки или сетевого шнура, если устройство работает с перебоями, а также после его падения или в случае протекания.
- Данное устройство не предназначено для использования детьми младше 8 лет. Во время работы и остывания размещайте устройство в местах, недоступных для детей младше 8 лет.
- Данное устройство не предназначено для использования людьми (включая детей старше 8 лет) с физическими, нервными, психическими нарушениями или без достаточного опыта и знаний. Использование устройства такими лицами допускается лишь в том случае, если они находятся под присмотром лица, отвечающего за их безопасность, при условии, что им были даны соответствующие и понятные инструкции о безопасном использовании устройства и тех опасностях, которые могут возникнуть при его неправильном использовании.
- В резервуаре могут находиться остатки воды – это нормальное явление, так как на производстве утюг проходил контроль качества.
- Запрещается самостоятельно ремонтировать прибор. Не разбирайте прибор самостоятельно, при возникновении любых неисправностей, а также после

падения устройства выключите прибор из электрической розетки и обратитесь в любой авторизованный (уполномоченный) сервисный центр по контактным адресам, указанным в гарантийном талоне и на сайте [www.vitek.ru](http://www.vitek.ru).

- Перевозите устройство только в заводской упаковке.
- Храните устройство в местах, недоступных для детей и людей с ограниченными возможностями.

*УСТРОЙСТВО ПРЕДНАЗНАЧЕНО ТОЛЬКО ДЛЯ БЫТОВОГО ИСПОЛЬЗОВАНИЯ В ЖИЛЫХ ПОМЕЩЕНИЯХ, ЗАПРЕЩАЕТСЯ КОММЕРЧЕСКОЕ ИСПОЛЬЗОВАНИЕ И ИСПОЛЬЗОВАНИЕ УСТРОЙСТВА В ПРОИЗВОДСТВЕННЫХ ЗОНАХ И РАБОЧИХ ПОМЕЩЕНИЯХ.*

## ПЕРЕД ПЕРВЫМ ИСПОЛЬЗОВАНИЕМ

**После транспортировки или хранения устройства при пониженной температуре необходимо выдержать его при комнатной температуре не менее трёх часов.**

- Извлеките утюг из упаковки, при наличии защиты на подошве (15) удалите защиту.
- Проверьте целостность устройства, при наличии повреждений не пользуйтесь утюгом.
- Перед включением убедитесь в том, что напряжение в электрической сети соответствует рабочему напряжению утюга.
- **В резервуаре могут находиться остатки воды – это нормальное явление, так как на производстве утюг проходил контроль качества.**

**Примечание:** При первом включении нагревательный элемент утюга обгорает, поэтому возможно появление постороннего запаха и небольшого количества дыма, это нормальное явление.

## ВЫБОР ВОДЫ

Данный утюг снабжён встроенной системой защиты от накипи. Для наполнения резервуара (13) используйте только водопроводную воду. Использование дистиллированной или/и деминерализированной воды снижает эффективность работы системы защиты от накипи.

**Примечание:** Запрещается заливать в резервуар для воды (13) ароматизирующую

# РУССКИЙ

**щие жидкости, уксус, раствор крахмала, реагенты для удаления накипи, химические вещества и т.д.**

## НАПОЛНЕНИЕ РЕЗЕРВУАРА ДЛЯ ВОДЫ

Прежде чем залить воду в утюг, убедитесь, что он отключён от электрической сети.

- Установите регулятор температуры (11) в положение «MIN», а регулятор постоянной подачи пара (3) переведите в крайнее левое положение – подача пара выключена.
- Откройте крышку заливочного отверстия (2).
- Залейте воду в резервуар для воды (13), затем плотно закройте крышку (2).


### Примечание

- **Не наливайте воду выше отметки «MAX» (14).**
- **Если во время глажения необходимо долить воду, то отключите утюг и извлеките сетевую вилку из электрической розетки.**
- **После того как вы закончите гладить, выключите утюг, дождитесь его полного остывания, затем откройте крышку заливочного отверстия (2), переверните утюг и слейте остатки воды.**

## ТЕМПЕРАТУРА ГЛАЖЕНИЯ

Перед началом эксплуатации протестируйте нагретый утюг на кусочке ткани, чтобы убедиться в том, что подошва утюга (15) и резервуар для воды (13) чистые.

- Всегда перед глажением вещей смотрите на ярлык изделия, где указана рекомендуемая температура глажения.
- Если ярлык с указаниями по глажению отсутствует, но вы знаете тип материала, то для выбора температуры глажения воспользуйтесь таблицей.

Обозначения	Тип ткани (температура)
	не гладить
•	синтетика, нейлон, акрил, полиэстер (низкая температура)
••	шёлк/шерсть (средняя температура)
•••	хлопок/лён (высокая температура)

- Таблица применима только для гладких материалов. Если материал другого типа (гофрированный, рельефный и т.д.), то лучше всего его гладить при низкой температуре.
- Сначала отсортируйте вещи по температуре глажения: синтетику – к синтетике, шерсть – к шерсти, хлопок – к хлопку и т.д.
- Утюг нагревается быстрее, чем остывает. Поэтому сначала рекомендуется гладить вещи, которые требуют низкой температуры (например, синтетические ткани). После чего переходите на глажение при более высоких температурах (шелк, шерсть). Изделия из хлопка и льна гладьте в последнюю очередь.
- Если в состав ткани входят смесовые волокна, то необходимо установить температуру глажения самую низкую (например, если изделие состоит на 60% из полиэстера и на 40% из хлопка, то его следует гладить при температуре, подходящей для полиэстера «•»).
- Если вы не можете определить состав ткани, то найдите на изделии место, которое незаметно при носке, и опытным путём выберите температуру глажения (всегда начинайте с самой низкой температуры и постепенно повышайте её, пока не добьётесь желаемого результата).
- Вельветовые и другие ткани, которые быстро начинают лосниться, следует гладить строго в одном направлении (в направлении ворса) с небольшим нажимом.
- Чтобы избежать появления лоснящихся пятен на синтетических и шёлковых тканях, гладьте их с изнаночной стороны.

## УСТАНОВКА ТЕМПЕРАТУРЫ ГЛАЖЕНИЯ

- Поставьте утюг на основание (9).
- Вставьте вилку сетевого шнура в электрическую розетку.
- Поворотом регулятора (11) установите требуемую температуру глажения: «•», «••» или «•••» (в зависимости от типа ткани), при этом загорится индикатор (10).
- Когда температура подошвы утюга (15) достигнет установленной температуры, индикатор (10) погаснет, можно приступать к глажению.

## **Примечание:**

- Если вы гладили при высокой температуре, и возникла необходимость перейти на низкую температуру, то рекомендуется дождаться понижения температуры подошвы и начинать гладить только после того, как загорится индикатор (10). При паровом глажении надо устанавливать температуру глажения «•••», на регуляторе температуры (11) сектор работы с паром отмечен соответствующими символами.

## **РАЗБРЫЗГИВАТЕЛЬ ВОДЫ**

- Вы можете увлажнить ткань, нажав несколько раз на кнопку разбрызгивателя (5).
- Убедитесь, что в резервуаре (13) достаточно воды.

## **СУХОЕ ГЛАЖЕНИЕ**

- Поставьте утюг на основание (9).
- Вставьте вилку сетевого шнура в розетку.
- Регулятор постоянной подачи пара (3) переведите в крайнее левое положение – подача пара выключена.
- Поворотом регулятора (11) установите требуемую температуру глажения: «•», «••» или «•••» (в зависимости от типа ткани), при этом загорится индикатор (10).
- Когда температура подошвы утюга (15) достигнет установленной температуры, индикатор (10) погаснет, можно приступать к глажению.
- После использования утюга установите регулятор температуры (11) в положение «MIN».
- Выньте вилку сетевого шнура из розетки и дождитесь полного остывания утюга.

## **ПАРОВОЕ ГЛАЖЕНИЕ**

При паровом глажении необходимо устанавливать температуру глажения «•••», на регуляторе температуры (11) сектор работы с паром отмечен соответствующими символами. Утюг снабжен противокapelным клапаном, который закрывает подачу воды, при слишком низкой температуре подошвы утюга, это предотвращает появление капel из отверстий подошвы утюга (15). При нагревании и остывании подошвы утюга, вы услышите характерные щелчки открывания/закрывания противокapelного клапана, что свидетельствует о его нормальной работе.

- Поставьте утюг на основание (9).
- Регулятор постоянной подачи пара (3) переведите в крайнее левое положение – подача пара выключена.
- Вставьте вилку сетевого шнура в розетку.
- Убедитесь, что в резервуаре (13) достаточно воды.
- Поворотом регулятора (11) установите требуемую температуру глажения: «•••», при этом загорится индикатор (10).
- Когда температура подошвы утюга (15) достигнет установленной температуры, индикатор (10) погаснет, можно приступать к глажению.
- Регулятором постоянной подачи пара (3) установите необходимую интенсивность парообразования, пар начнет выходить из отверстий подошвы утюга (15). Для удобства использования регулятор постоянной подачи пара (3) имеет три фиксированных положения интенсивности парообразования.
- После использования утюга установите регулятор температуры (11) в положение «MIN», а регулятор постоянной подачи пара (3) переведите в крайнее левое положение – подача пара выключена.
- Выньте вилку сетевого шнура из розетки и дождитесь полного остывания утюга.

## **ВНИМАНИЕ!**

*Если во время работы не происходит постоянной подачи пара, проверьте правильность положения регулятора температуры (11) и наличие воды в резервуаре (13).*

## **ДОПОЛНИТЕЛЬНАЯ ПОДАЧА ПАРА**

Функция дополнительной подачи пара полезна при разглаживании складок и может быть использована только при высокотемпературном режиме глажения (регулятор температуры (11) находится в положении «•••»).  
 • При нажатии кнопки дополнительной подачи пара (4) пар из подошвы утюга будет выходить более интенсивно.

**Примечание:** Во избежание вытекания воды из паровых отверстий нажимайте кнопку дополнительной подачи пара (4) с интервалом в 4-5 секунд.

## **ВЕРТИКАЛЬНОЕ ОТПАРИВАНИЕ**

Функция вертикального отпаривания может быть использована только при высокотем-

# РУССКИЙ

пературном режиме глажения (в этом случае регулятор температуры (11) находится в положении «••••»).

Держите утюг вертикально на расстоянии 10-30 см от одежды и нажимайте на кнопку дополнительной подачи пара (4) с интервалом в 4-5 секунд, пар будет интенсивно выходить из отверстий подошвы утюга (15).

## Важная информация

Не рекомендуется выполнять вертикальное отпаривание синтетических тканей.

- При отпаривании не прикасайтесь подошвой утюга к материалу, чтобы избежать его оплавления.
- Никогда не отпаривайте одежду, надетую на человека, т.к. температура выходящего пара очень высокая, пользуйтесь плечиками или вешалкой.
- Закончив гладить, выключите утюг, дождитесь его полного остывания, после чего откройте крышку заливочного отверстия (2), переверните утюг и слейте остатки воды.

## ФУНКЦИЯ АВТОМАТИЧЕСКОГО ОТКЛЮЧЕНИЯ

Если утюг находился неподвижно около 30 секунд в горизонтальном положении или около восьми минут в вертикальном положении, то нагревательный элемент утюга отключится автоматически, а индикатор (6) будет мигать. Для включения утюга просто начните им гладить.

**Примечание:** После включения утюга ранее заданная температура подошвы будет восстановлена через некоторое время, в зависимости от положения регулятора (11).

## ОЧИСТКА ПАРОВОЙ КАМЕРЫ

Для увеличения срока службы утюга рекомендуется регулярно выполнять очистку паровой камеры.

- Переведите регулятор постоянной подачи пара (3) в крайнее левое положение – подача пара выключена.
- Наполните резервуар (13) водой наполовину.
- Поставьте утюг на основание (9).
- Вставьте вилку сетевого шнура в электрическую розетку.

- Поворотом регулятора (11) установите максимальную температуру нагрева подошвы утюга «••••», при этом загорится индикатор (10).
- Когда подошва утюга (15) нагреется до установленной температуры, индикатор (10) погаснет, можно проводить очистку паровой камеры.
- Выключите утюг, установив регулятор температуры (11) в положение «MIN». Извлеките вилку сетевого шнура из электрической розетки.
- Расположите утюг горизонтально над раковиной, нажмите и удерживайте кнопку самоочистки (12).
- Кипящая вода и пар вместе с накипью будут выбрасываться из отверстий подошвы утюга (15).
- Слегка покачивайте утюг вперед-назад, пока вся вода не выйдет из резервуара (13).
- Поставьте утюг на основание (9) и дайте ему полностью остыть.
- Когда подошва утюга (15) полностью остынет, протрите её кусочком сухой ткани.
- Прежде чем убрать утюг на хранение, убедитесь, что в резервуаре (13) нет воды, а подошва утюга (15) сухая.

## УХОД И ЧИСТКА

- Прежде чем чистить утюг, убедитесь, что он отключён от электрической сети и уже остыл.
- Протирайте корпус утюга слегка влажной тканью, после этого вытрите его насухо.
- Отложения на подошве утюга могут быть удалены тканью, смоченной в уксусно-водном растворе.
- После удаления отложений отполируйте поверхность подошвы утюга сухой тканью.
- Не используйте для чистки подошвы и корпуса утюга абразивные чистящие средства.
- Избегайте контакта подошвы утюга с острыми металлическими предметами.

## ХРАНЕНИЕ

- Установите регулятор температуры (11) в положение «MIN», переведите регулятор постоянной подачи пара (3) в крайнее

левое положение – подача пара выключена. Извлеките вилку сетевого шнура из электрической розетки.

- Откройте крышку заливочного отверстия (2), переверните утюг и слейте оставшуюся воду из резервуара для воды (13).
- Закройте крышку (2).
- Поставьте утюг вертикально и дайте ему полностью остыть.
- Храните утюг в вертикальном положении в сухом прохладном месте, недоступном для детей.

## ТЕХНИЧЕСКИЕ ХАРАКТЕРИСТИКИ

Электропитание: 230 В ~ 50/60 Гц  
Потребляемая мощность: 2400 Вт

*Производитель сохраняет за собой право изменять дизайн и технические характеристики прибора без предварительного уведомления*

**Срок службы прибора – 3 года**

## УТИЛИЗАЦИЯ



В целях защиты окружающей среды, после окончания срока службы прибора и элементов питания, не выбрасывайте их вместе с обычными бытовыми отходами, передайте

прибор и элементы питания в специализированные пункты для дальнейшей утилизации. Отходы, образующиеся при утилизации изделий, подлежат обязательному сбору с последующей утилизацией в установленном порядке.

Для получения дополнительной информации об утилизации данного продукта обратитесь в местный муниципалитет, службу утилизации бытовых отходов или в магазин, где Вы приобрели данный продукт.



*Данное изделие соответствует всем требуемым европейским и российским стандартам безопасности и гигиены.*

**Изготовитель:** АНДЕР ПРОДАКТС ГмБХ, Австрия

**Адрес:** Нойбаугюртель 38/7А, 1070 Вена, Австрия

**Информация для связи** – email: [anderproduct@gmail.com](mailto:anderproduct@gmail.com)

Информация об Импортере указана на индивидуальной упаковке.

Информация об авторизованных (уполномоченных) сервисных центрах указана в гарантийном талоне и на сайте [www.vitek.ru](http://www.vitek.ru)

Единая справочная служба:  
+7 (495) 921-01-70

Сделано в Китае

# ҚАЗАҚША

## БУЛЫ ҮТИГІ VT-1257 VT

Үтік киімді, төсек жасауларын үтіктеу үшін, сонымен қатар маталарды тік ылғалдау үшін арналған.

### СИПАТТАМАСЫ

1. Су шашыратқыш
2. Күю көртігі қақпағы
3. Үнемі бу жіберу реттегіші
4. Қосымша бу беру түймесі
5. Су бүріккіштің түймесі
6. Автоматты сөну көрсеткіші
7. Тұтқасы
8. Желілік сымды қорғау
9. Үтіктің түбі
10. Қосу/өшіру көрсеткіші қыздырғыш элемент
11. Температураны реттегіш
12. Өздігімен тазалану батырмасы
13. Суға арналған сұйыққойма
14. Судың максималды деңгейінің көрсеткіші
15. Үтіктің табаны

### НАЗАР АУДАРЫҢЫЗ!

Қосымша қорғану үшін қуат тізбегіне 30 мА-ден аспайтын номиналды жұмыс істеу тоғы бар қорғаушы сөндіргіш құрылғыны (ҚСҚ) орнатып қойған жөн; ҚСҚ-ны орнату үшін маманға жолығу керек.

### ҚАУІПСІЗДІК ШАРАЛАРЫ

Электрлік құрылғыны пайдаланар алдында аталмыш нұсқаулықты мұқият оқып шығып, әрі қарай анықтамалық материал ретінде қолдану үшін сақтап қойыңыз.

Құрылғыны осы нұсқаулықта баяндалғандай тікелей мақсаты бойынша ғана пайдаланыңыз. Құрылғыны дұрыс пайдаланбау оның бұзылуына, тұтынушыға немесе оның мүлігіне зиян келтіруіне әкелуі мүмкін.

- Қосар алдында, электр желісіндегі кернеу құрылғының жұмыс кереуіне сәйкес келетіндігін тексеріп алыңыз.
- Желілік бау еуройайретікпен жабдықталған, оны сенімді жерлендіру түйіспесі ашалыққа қосыңыз.
- Өрттің пайда болу тәуекеліне жол бермеу үшін аспапты электр розеткасына қосу кезінде өткізгіштерді қолданбаңыз.
- Электр желісіндегі жүк шамадан асып кетпеуі үшін көп қуатты тұтынатын бірнеше құрылғыны үтікпен бір мезгілде қоспаңыз.
- Үтікті панажайлардан тыс және ылғалдылығы жоғары панажайлардан пайдаланбаңыз.

- Үтікті тегіс, орнықты бетке қойыңыз немесе орнықты үтіктеу тақтасын қолданыңыз.
- Назар аударыңыз! Үтіктің беті жұмыс кезінде қызады. Күйікке шалдығуды болдырмау үшін терінің ашық жерлерінің үтіктің ыстық беттерімен немесе шығып жатқан бумен түйісуін болдырмаңыз.
- Суға арналған резервуарға хош иістендіргіш сұйықтықтарды, сірке суы қышқылын, крахмал ерітіндісін, қақтарды жоюға арналған реагенттерді, химиялық заттарды және т.б. құюға тыйым салынады.
- Құрылғыны аэрозольдер шашырайтын жерде немесе тез тұтанатын сұйықтықтар пайдаланылатын жерде қоспаңыз.
- Жұмыс кезінде желілік сымның үтіктеу тақтайшасында болмауын, сонымен бірге жиһаздардың жиектері мен өткір заттардың ыстық үстіңгі беттеріне тиеуін қадағалаңыз.
- Қосылып тұрған құрылғыны қараусыз қалдырмаңыз. Жұмыс уақытындағы үзілістер уақытында үтікті (тік күйінде) негізіне орнатыңыз.
- Үтікті электр желісіне қосу/ажырату алдында температура реттегішін минималды күйге орнатып алыңыз және тұрақты бу жіберуді ажыратыңыз.
- Үтікті пайдаланбасаңыз, онда оны міндетті түрде электр желісінен сөндіріп отырыңыз.
- Сауытты суға толтырған кезде, әрқашан айыртетікті ашалықтан ажыратыңыз.
- Суды толтыруға арналған саңылаудың қақпағы үтіктеу уақытында жабық болуы керек.
- Үтікті электр желісінен сөндірген кезде әрқашан желілік айыр тетіктен ұстаңыз, ешқашан желілік баудан тартпаңыз.
- Электр тоғының соғу қаупін болдырмас үшін үтікті, желілік шнурды немесе желілік шнур ашасын суға немесе басқа да сұйықтыққа батырмаңыз.
- Үтікті жинап қоюға дейін судың қалдығын төгіңіз және оған толық салқындауға уақыт беріңіз.
- Үтікті электр желісінен ажыратқаннан кейін ғана резервуардағы суды төгіңіз.
- Желіге қосулы тұрған үтікті қараусыз қалдырмаңыз.
- **Приборды үнемі тазалап тұрыңыз.**
- **Құрылғы корпусын, желілік сымды және желілік сым айырын су қолмен ұстауға тыйым салынады.**
- Балаларға құрылғының корпусына және желілік бауға жұмыс істеген уақытта қол тигізуге рұқсат етпеңіз.

- Құрылғыны ойыншық ретінде пайдалануға жол бермеу үшін балаларға бақылауды жүзеге асырыңыз.
- Балалардың қауіпсіздігін қамтамасыз ету мақсатында қаптама ретінде пайдаланылатын полиэтилен қапшықтарды қараусыз қалдырмаңыз.

**Назар аударыңыз!** Балаларға полиэтилен пакеттермен немесе қаптама үлдірмен ойнауға рұқсат бермеңіз. **Тұншығу қаупі!**

- Құрылғыны желілік сым немесе желілік сым айырында ақау бар болған жағдайда немесе құрылғы жұмысында ауытқу болған жағдайда және ол құлағаннан кейін немесе суы ағып тұрған кезде құрылғыны пайдалануға тыйым салынады.
- Бұл құрылғы 8 жастан төменгі балалардың пайдалануына арналмаған. Құрылғы әзірлейтін ыдыс жұмыс істеген кезде және суыту кезінде 8 жастан кіші балалар жете алмайтын жерде тұруы тиіс.
- Берілген құрылғы физикалық, жүйкелік, психикалық бұзылулары бар немесе жеткілікті тәжірибесі және білімі жоқ адамдардың (8 жастан асқан балаларды қоса) пайдалануына арналмаған. Құрылғыны мұндай адамдардың пайдалануы, олардың қауіпсіздігі үшін жауап беретін тұлғаның қарауында, оларға құрылғыны қауіпсіз пайдалану және оны дұрыс пайдаланбағанда пайда бола алатын қауіптер туралы сәйкес және түсінікті нұсқаулықтар берілген жағдайда ғана рұқсат етіледі.
- Резервуарда судың қалдығы болуы мүмкін – бұл қалыпты құбылыс, себебі өндірісте үтік сапа бақылауынан өткен болатын.
- Аспапты өз бетімен жөндеуге тыйым салынады. Өздігіңізден құрылғыны бөлшектемеңіз, кез келген ақау шыққан жағдайда, сондай-ақ құрылғы құлаған жағдайда құрылғыны розеткадан алып тастаңыз да, байланысу мекенжайлары бойынша кепілдеме талонында көрсетілген кез келген авторланған (уәкілетті) сервистік орталыққа, және [www.vitek.ru](http://www.vitek.ru) сайтына жүгініңіз.
- Құрылғыны тек зауыттық орауда ғана тасымалдаңыз.
- Құрылғыны балалар және мүмкіндігі шектеулі адамдардың қолы жетпейтін жерде сақтаңыз.

**ҚҰРЫЛҒЫ ТҰРҒЫН ПАНАЖАЙЛАРДА ТҰРМЫСТЫҚ ПАЙДАЛАНУ ҮШІН АРНАЛҒАН, ҚҰРЫЛҒЫНЫ КОММЕРЦИЯЛЫҚ ПАЙДАЛАНУ**

**ЖӘНЕ ӨНДІРИСТІК АЙМАҚТАР МЕН ЖҰМЫС ПАНАЖАЙЛАРЫНДА ПАЙДАЛАНУҒА ТЫЙЫМ САЛЫНАДЫ.**

## АЛҒАШ ПАЙДАЛНАР АЛДЫНДА

**Тасымалданғаннан кейін немесе құрылғы төмен температурада сақталған болса оны бөлме температурасында үш сақаттан кем емес уақыт ұстау қажет.**

- Үтікті қораптан шығарып алыңыз, табанында қорғаныш қабаты (15) болса, онда оны алып тастаңыз.
- Құрылғының бүтіндігін тексеріңіз, бүлінген жерлері болған кезде үтікті пайдаланбаңыз.
- Қоспай тұрып, электр желісінің кернеуі құрылғының жұмыс кернеуіне сай келетінін тексеріп алыңыз.
- Резервуарда судың қалдығы болуы мүмкін – бұл қалыпты құбылыс, себебі өндірісте үтік сапа бақылауынан өткен болатын.

**Ескерту:** Алғашқы қосқан кезде үтіктің қыздырғыш элементі күйеді, сондықтан аздаған түтіннің және бөтен иістің пайда болуы қалыпты жағдай болып табылады.

## СУДЫ ТАҢДАУ

Берілген үтіг іштетілген қақтан қорғау жүйесімен жабдықталған. Сауытты (13) толтыру үшін тек су құбыры суын пайдаланыңыз. Дистильденген немесе/және минералсыздандырылған суды пайдалану қақтан қорғау жүйесі жұмысының нәтижелілігін азайтады.

**Ескерту:** Су құюға арналған резервуарға (13) хош иістендіргіш сұйықтықтарды, сірке суын, крахмал ерітіндісін, қақтарды кетіруге арналған реагенттерді, химиялық заттарды және т.б. құюға тыйым салынады.

## СУҒА АРНАЛҒАН РЕЗЕРВУАРДЫ ТОЛТЫРУ

Суды үтіктің ішіне құймас бұрын, оның электр желісінен ажыратулы тұрғанын тексеріп алыңыз.

- Температураны реттегішті (11) «MIN» режиміне қойыңыз, ал тұрақты бу шығарғышты (3) барынша сол жаққа бұраңыз – бу шығару тоқтайды.
- Су құю саңылауының қақпағын (2) ашыңыз. Су резервуарға (13) су құйыңыз, одан кейін қақпақты (2) тығыз жабыңыз.

## Ескертпе

- Суды «MAX» белгісінен (14) жоғары толтырмаңыз.
- Егер үтіктеу кезінде суды толтыру қажет болса, онда үтікті сөндіріңіз

# ҚАЗАҚША


*және желілік айыр тетікті ашалықтан ажыратыңыз және суды құйыңыз.*

- *Сіз үтіктеп болғаннан кейін, үтіккі сөндіріңіз, оның толық салқындауын күтіңіз, содан кейін құятын саңылаудың қақпағын (2) ашыңыз, үтіккі төңкеріңіз және ссу қалдықтарын төгіңіз.*

## ҮТІКТЕУ ТЕМПЕРАТУРАСЫ

Қолдану алдында, үтіккің табаны (15) және суға арналған сауыт (13) таза екеніне көз жеткізу үшін қызған үтіккі матаның кішкентай бөлігінде тексеріңіз.

- Үнемі киімдерді үтіктемес бұрын, бұйымның үтіктеу температурасы көрсетілген тілшелерге қараңыз.
- Егер үтіктеу бойынша нұсқаулары бар тілше жоқ болса, бірақ сіз материалдың түрін ажырата алсаңыз, онда температураны таңдау үшін кестені пайдаланыңыз.

Белгілеулер	Мата түрі (температура)
	үтіктемеу керек
•	синтетика, нейлон, акрил, полиэстер (төменгі температура)
••	жібек/жүн (орташа температура)
•••	мақта / зығыр (жоғары температура)

- Бұл кесте тек тегіс материалдарға арналған. Егер материал басқа түрлі болса (гофрирленген, кеді—бұдырлы және т.б.), онда оны төменгі температурада үтіктеген жөн.
- Алдымен заттарды үтіктеу температурасы бойынша сұрыптаңыз: синтетиканы-синтетикаға, жүнді – жүнге, мақтаны – мақтаға және т.б.
- Үтіккің қызуы, оның сууына қарағанда тез. Сондықтан алдымен төменгі температураны қажет ететін киімдерді үтіктеп алған жөн (мысалы, синтетикалық маталар). Содан кейін анағұрлым жоғары температура кезіндегі үтіктеуге көшіңіз (жібек, жүн). Мақта мен зығыр бұйымдарын соңғы кезекте үтіктеңіз.
- Егер матаның құрамына аралас талшықтар енсе, онда ең төмен температураны белгілеу қажет (мысалы, егер бұйым 60% Полиэстерден және 40% мақтадан құралса, онда оны

полиэстерге сәйкес температурада үтіктеу қажет «•»).

- Егер сіз матаның құрамын анықтай алмасаңыз, онда бұйымды киген кезде көрінбейтін жерді табыңыз, және тәжірибелік жолмен температураны таңдаңыз (әрқашан ең төменгі температурадан бастаңыз және оны қажетті нәтижеге жеткенге дейін біртіндеп көтеріңіз.).
- Вельветті және басқа да тез түгі түсетін маталарды қатаң түрде бір бағытта ғана (түктің ығына қарай) сәл батыңқырап үтіктеу керек.
- Синтетикалық және жібек маталарда түгі түскен дақтардың пайда болуын болдырмас үшін оларды астары жағынан үтіктеген жөн.

## ҮТІКТЕУ ТЕМПЕРАТУРАСЫН ОРНАТУ

- Үтіккі түбіне (9) қойыңыз.
- Желілік баудың айыртетігін электрлік ашалыққа салыңыз.
- Реттегішті (11) бұрап, қажетті үтіктеу температурасын: «•», «••», «•••» (матаның түріне байланысты) белгілеңіз, сол кезде көрсеткіш (10) жанады.
- Табанның (15) температурасы белгіленген температураға дейін қызған кезде көрсеткіш (10) сөніп қалады, осыдан кейін үтіктеуге кірісе беруге болады.

### Ескерту:

- Егер сіз жоғары температурамен үтіктесеңіз, жәнетөмен температураға көшу қажеттілігі туындағанда, онда үтік табаны температурасының төмендеуін күту және көрсеткіш (10) жанғаннан кейін ғана үтіктеуге кірісу ұсынылады. Бүмен үтіктеген кезде үтіктеу температурасын «•••» белгілеу қажет, температура реттегішінде (11) бүмен жұмыс істеу секторы сәйкес таңбалармен белгіленген.

## СУ ШАШЫРАТҚЫШ

- Сіз шашыратқыш түймесін (5) бірнеше рет басып матаны дымқылдай аласыз.
- Резервуардағы (13) судың жеткілікті екеніне көз жеткізіп алыңыз.

## ҚҰРҒАҚТАЙ ҮТІКТЕУ

- Үтіккі түбіне (9) қойыңыз.
- Желілік баудың айыртетігін ашалыққа салыңыз.
- Тұрақты бу шығару реттегішін (3) барынша сол жаққа бұраңыз – бу шығару тоқтайды.
- Реттегішті (11) бұрап, қажетті үтіктеу температурасын: «•», «••», «•••» (матаның түріне байланысты) белгілеңіз, сол кезде көрсеткіш (10) жанады.



- Табанның (15) температурасы белгіленген температураға дейін қызған кезде көрсеткіш (10) сөніп қалады, осыдан кейін үтіктеуге кірісе беруге болады.
- Үтікті пайдаланып болғаннан кейін температура реттегішін (11) «MIN» күйіне орнатыңыз.
- Желілік баудың айыр тетігін ашалықтан ажыратыңыз және үтіктің толық салқындауын күтіңіз.

## БУМЕН ҮТІКТЕУ

Бумен үтіктеген кезде үтіктеу температурасын «...» белгілеу қажет, температура реттегішінде (11) бумен жұмыс істеу секторы сәйкес таңбалармен белгіленген. Үтік табанының температурасы өте төмен болған кезде, су жіберуді жауып қалатын, тамшыға қарсы құлақшасымен жабдықталған, бұл үтіктің табанындағы (15) саңылаудан тамшылардың пайда болуын тоқтатады Үтік табаны не қызған кезде, не суыған кезде тамшыға қарсы құлақшаның ашылуына/жабылуына тән дыбыстар естіледі, бұл оның дұрыс жұмыс істеп тұрғандығын білдіреді.

- Үтікті түбіне (9) қойыңыз.
- Тұрақты бу шығару реттегішін (3) барынша сол жаққа бұраңыз – бу шығару тоқтайды.
- Желілік баудың айыртетігін ашалыққа салыңыз.
- Резервардағы (13) судың жеткілікті екеніне көз жеткізіп алыңыз.
- Реттегішті (11) бұрап қажетті үтіктеу температурасын белгілеңіз: «...», осы кезде көрсеткіш (10) жанады.
- Табанның (15) температурасы белгіленген температураға дейін қызған кезде көрсеткіш (10) сөніп қалады, осыдан кейін үтіктеуге кірісе беруге болады.
- Тұрақты бу беру реттегішімен (3) қажетті бу түзу қарқындылығын белгілеңіз, бу үтік табанының (15) саңылауларынан шыға бастайды. Тұрақты бу шығару реттегішін (3) қолдануға қолайлы болу үшін бу құрайтын тұрақты үш күй бар.
- Үтікті пайдаланып болғаннан кейін температура реттегішін (11) «MIN» күйіне, ал тұрақты бу беру реттегішін (3) барынша сол жаққа (бу беру сөндірілген) күйіне орнатыңыз.
- Желілік баудың айыр тетігін ашалықтан ажыратыңыз және үтіктің толық салқындауын күтіңіз.

## НАЗАР АУДАРЫҢЫЗ!

*Егер жұмыс істеу уақытында тұрақты бу беру болмаса, температура реттегіші (11) күйінің дұрыстығын және сауытта (13) судың болуын тексеріңіз.*

## ҚОСЫМША БУ ЖІБЕРУ

Қосымша бу жіберу функциясы жиырылған жерлерді жазу кезінде пайдалы және жоғары температуралы үтіктеу күйінде ғана пайдаланыла алады (температура реттегіші (11) «...» күйінде).

- Қосымша бу жіберу тетігін (4) басқан кезде бу үтіктің табанынан аса қарқынды шығатын болады.

**Ескерту:** Бу саңылауларының арасынан судың ағуын болдырмау үшін қосымша бу жіберу тетігін (4) 4-5 секунд аралығымен басып отырыңыз.

## ТІГІНЕН БУЛАУ

Тігінен булау функциясы тек жоғары температуралы үтіктеу күйінде ғана пайдаланыла алады (бұл жағдайда температура реттегіші (11) «...» күйінде болады).

Үтікті тігінен киімнен 10-30 см қашықтықта ұстап тұрыңыз да, қосымша бу беру батырмасын (4) 4-5 секунд аралықпен басыңыз, бу үтіктің табанынан (15) қарқынды шығатын болады.

## Маңызды ақпарат

Синтетикалық маталардың тігінен булануын орындау ұсынылмайды.

- Булау кезінде үтіктің табанын материалға, оның балқуын болдырмас үшін, тигізбеңіз.
- Ешқашан адамға кюли тұрған киімді буламаңыз, себебі, шығатын будың температурасы өте жоғары, ол үшін киім ілгіштерді пайдаланыңыз.
- Сіз үтіктеп болғаннан кейін, үтікті сөндіріңіз, оның толық суығанын күтіңіз, осыдан кейін су құю саңылауының қақпағын (2) ашыңыз да, үтікті төңкеріп қалған суды төгіп тастаңыз.

## АВТОМАТТЫ ТҮРДЕ АЖЫРАТЫЛУ ФУНКЦИЯСЫ

Егер үтік 30 секундқа таяу көлденең күйінде немесе 8 минутқа таяу тік күйінде қозғалмай тұрса, онда үтіктің қыздырғыш элементі автоматты сөнеді, ал көрсеткіш (6) жаыпп-сөнеді. Үтікті іске қосу үшін онымен үтіктеуді бастау керек.

**Ескерту:** Үтікті іске қосқаннан кейін температура реттегішінің (11) күйіне байланысты, алдынала белгіленген табан температурасыбіршама уақыттан кейін қалпына келеді.

## БУ КАМЕРАСЫН ТАЗАРУ

Үтіктің қызмет ету мерзімін ұзарту үшін бу камерасын тұрақты түрде тазалап отыру қажет.

- Тұрақты бу шығару реттегішін (3) барынша сол жаққа бұраңыз – бу шығару тоқтайды.

# ҚАЗАҚША

- Сауытты (13) жартылай суға толтырыңыз.
- Үтікті түбіне (9) қойыңыз.
- Желілік баудың айырететігін электрлік ашалыққа салыңыз.
- Реттегішті (11) бұрай отырып, үтік табанының максималды қызу температурасына «•••» орнатыңыз, осы кезде көрсеткіш (10) жанады.
- Үтік табанының (15) температурасы белгіленген температураға жеткенде, көрсеткіш (10) сөнеді, бу камерасын тазалауды жүргізуге болады.
- Температура реттегішін (11) «MIN» күйіне белгілеп, үтікті сөндіріңіз. Желілік сым айырын электрліку розеткадан ажыратыңыз.
- Үтікті қолжуғыш үстінен көлденең орналастырыңыз, өздігімен тазалану батырмасын (12) басып ұстап тұрыңыз.
- Қайнап жатқан су мен бу қақпен бірге үтік табанының (15) саңылауларынан сыртқа атқылайды.
- Үтікті резервуардағы (13) барлық су шығып болмайынша сәл алдыға-артқа шайқаңыз.
- Үтікті түбіне қойыңыз да (9), оны толық суытыңыз.
- Үтіктің табаны (15) толық суып болғаннан кейін, оны құрғақ матамен сүртіңіз.
- Үтікті сақтауға алып қоймас бұрын резервуарда (13) судың қалмағандығын, ал үтіктің табаны (15) құрғақ екенін тексеріп алыңыз.

## КҮТІМ ЖАСАУ ЖӘНЕ ТАЗАЛАУ

- Үтікті тазаламас бұрын, ол электр желісінен ажыратулы және суып тұрғанын тексеріп алыңыз.
- Үтіктің корпусын ылғал матамен сүртіңіз, осыдан кейін оны құрғатып сүртіңіз.
- Үтіктің табанындағы шөгінділерді су-сірке суы ерітіндісіне малынған матамен кетіруге болады.
- Шөгінділерді кетіргеннен кейін табанның бетін құрғақ матамен жалтыратып сүртіңіз.
- Үтіктің табаны мен корпусын тазалау үшін қажайтын тазартқыш құралдарды пайдаланбаңыз.
- Үтіктің табанын өткір металл бұйымдарына тигізіп алмаңыз.

## САҚТАЛУЫ

- Температура реттегішін сағат тіліне қарсы (11) «MIN» күйіне дейін, ал тұрақты бу реттегішін (3) барынша сол жаққа (бу беру сөндірілген)

- күйіне бұрыңыз. Желілік сым айырын электрліку розеткадан ажыратыңыз.
- Құятын саңылаудың қақпағын (2) ашыңыз, үтікті төңкеріңіз және қалған суды суға арналған сауыттан (13) төгіңіз.
- Қақпақты (2) жабыңыз.
- Үтікті тігінен қойыңыз да, оны суытыңыз.
- Үтікті тік күйде құрғақ салқын балалардың қолдары жетпейтін жерде сақтаңыз.

## ТЕХНИКАЛЫҚ СИПАТТАМАЛАР

Электрқорегі: 230 В ~ 50/60 Гц  
Тұтынатын қуаты: 2400 Вт

*Өндіруші құрылғының дизайны мен техникалық сипаттамасын алдын ала ескертусіз өзгеруге құқылы*

**Құралдың қызмет мерзімі – 3 жыл**

## ҚАЙТА ӨНДЕУ



Қоршаған ортаны қорғау мақсатында, аспаптың және қоректендіру элементтерінің қызмет ету мерзімі аяқталғаннан кейін, оларды дәстүрлі тұрмыстық қалдықтармен бірге тастамаңыз, аспап пен қоректендіру элементтерін келесі қайта өңдеу үшін арнайы пункттерге өткізіңіз.

Бұйымдарды қайта өңдеу кезінде пайда болатын қалдықтар белгіленген тәртіп бойынша келесі қайта өңделетін міндетті жинауға жатады.

Берілген өнімді қайта өңдеу туралы қосымша ақпаратты алу үшін жергілікті муниципалитетке, тұрмыстық қалдықтарды қайта өңдеу қызметіне немесе берілген өнімді Сіз сатып алған дүкенге хабарласыңыз.

## Гарантиялық міндеттілігі

Гарантиялық жағдайдағы қаралып жатқан бөлшектер дилерден тек сатып алынған адамға ғана беріледі. Осы гарантиялық міндеттілігіндегі шағымдалған жағдайда төлеген чек немесе квитанциясын көрсетуі қажет.

**EAC**

## ПРАСКА VT-1257 VT

Праска призначена для прасування одягу, постільної білизни та вертикального відпарювання тканин.

### ОПИС

1. Розбризувач води
2. Кришка заливального отвору
3. Регулятор постійної подачі пари
4. Кнопка додаткової подачі пари
5. Кнопка розбризувача води
6. Індикатор автоматичного вимкнення
7. Ручка
8. Захист мережного шнура
9. Основа праски
10. Індикатор умикання/вимкнення нагрівального елемента
11. Регулятор температури
12. Кнопка самоочищення
13. Резервуар для води
14. Показчик максимального рівня води
15. Підшва праски

### УВАГА!

Для додаткового захисту доцільно встановити в ланцюзі живлення пристрій захисного вимкнення (ПЗВ) з номінальним струмом спрацювання, що не перевищує 30 mA; для встановлення ПЗВ зверніться до фахівця.

### ЗАХОДИ БЕЗПЕКИ

Перед початком експлуатації електроприладу уважно прочитайте це керівництво з експлуатації і збережіть його для використання як довідковий матеріал.

Використовуйте пристрій тільки за його прямим призначенням, як викладено у цьому керівництві. Неправильне поводження з пристроєм може привести до його поломки, спричинення шкоди користувачеві або його майну.

- Перед вмиканням переконайтеся, що напруга в електричній мережі відповідає робочій напрузі праски.
- Мережний шнур забезпечений «євровилкою»; вмикайте її в розетку, що має надійний контакт заземлення.
- Щоб уникнути ризику виникнення пожежі, не використовуйте перехідники при підмиканні пристрою до електричної розетки.
- Щоб уникнути перевантаження електричної мережі, не вмикайте одночасно декілька пристроїв з великою споживаємою потужністю.
- Не використовуйте праску поза приміщеннями, а також у приміщеннях з підвищеною вологістю.

- Ставте праску на рівну стійку поверхню або користуйтеся стійкою прасувальною дошкою.
- Увага! Поверхні праски нагріваються під час роботи. Уникайте контакту відкритих ділянок шкіри з гарячими поверхнями праски або вихідною парою, щоб уникнути отримання опіків.
- Забороняється заливати в резервуар для води ароматизуючі рідини, оцет, розчин крохмалю, реагенти для видалення накипу, хімічні речовини тощо.
- Не вмикайте пристрій у місцях, де розпоршуються аерозолі або використовуються легкозаймисті рідини.
- Наглядайте, щоб мережний шнур не знаходився на прасувальній дошці і не торкався гарячих поверхонь та гострих кромок.
- Не залишайте увімкнутий в мережу пристрій без нагляду. Під час перерв у роботі встановлюйте праску на основу (у вертикальне положення).
- Перед вимкненням/підмиканням праски до електричної мережі встановіть регулятор температури у мінімальне положення і вимкніть постійну подачу пари.
- Обов'язково вимикайте праску з електричної мережі, якщо ви нею не користуєтесь.
- При наповненні резервуара водою обов'язково виймайте вилку мережного шнура з електричної розетки.
- Кришка заливального отвору має бути закрита під час прасування.
- При вимкненні праски з електричної мережі завжди тримайтеся за мережну вилку, ніколи не тягніть за мережний шнур.
- Щоб уникнути ураження електричним струмом, не занурюйте праску, мережний шнур і вилку мережного шнура у воду або у будь-які інші рідини.
- Перш ніж забрати праску, дайте їй повністю остигнути і злийте залишки води.
- Зливайте воду з резервуара лише після вимкнення праски з мережі.
- Не залишайте праску, підключену до мережі, без нагляду.
- **Регулярно робіть чищення пристрою.**
- **Не торкайтеся корпусу пристрою і вилки мережного шнура мокрими руками.**
- Не дозволяйте дітям торкатися корпусу пристрою і мережного шнура під час роботи.
- Здійснюйте нагляд за дітьми, щоб не допустити використання пристрою як іграшки.
- З міркувань безпеки дітей не залишайте поліетиленові пакети, що використовуються як упаковка, без нагляду.

# УКРАЇНЬСКА

**Увага!** Не дозволяйте дітям грати з поліетиленовими пакетами або пакувальної плівкою.

## **Небезпека задущення!**

- Забороняється використовувати пристрій за наявності пошкоджень мережевої вилки або мережного шнура, якщо пристрій працює з переборами, а також після його падіння або в разі протікання.
- Цей пристрій не призначений для використання дітьми молодше 8 років. Під час роботи і охолодження розміщайте пристрій у місцях, недоступних для дітей молодше 8 років.
- Цей пристрій не призначений для використання людьми (включаючи дітей старше 8 років) з фізичними, нервовими, психічними порушеннями або без достатнього досвіду і знань. Використання приладу такими особами допускається лише у тому випадку, якщо вони знаходяться під наглядом особи, що відповідає за їх безпеку, за умови, що їм були дані відповідні і зрозумілі інструкції про безпечне використання пристрою і тих небезпеках, які можуть виникати при його неправильному використанні.
- У резервуарі можуть знаходитися залишки води – це нормальне явище, так як на виробництві праска проходила контроль якості.
- Забороняється самостійно ремонтувати пристрій. Не розбирайте пристрій самостійно, при виникненні будь-яких несправностей, а також після падіння пристрою вимкніть пристрій з електричної розетки та зверніться до найближчого авторизованого (уповноваженого) сервісного центру за контактними адресами, вказаними у гарантійному талоні та на сайті [www.vitek.ru](http://www.vitek.ru).
- Перевозьте пристрій лише в заводській упаковці.
- Зберігайте пристрій у місцях, недоступних для дітей і людей з обмеженими можливостями.

**ПРИСТРІЙ ПРИЗНАЧЕНИЙ ТІЛЬКИ ДЛЯ ПОБУТОВОГО ВИКОРИСТАННЯ У ЖИТЛОВИХ ПРИМІЩЕННЯХ, ЗАБОРОНЯЄТЬСЯ КОМЕРЦІЙНЕ ВИКОРИСТАННЯ ТА ВИКОРИСТАННЯ ПРИСТРОЮ У ВИРОБНИЧИХ ЗОНАХ ТА РОБОЧИХ ПРИМІЩЕННЯХ.**

## **ПЕРЕД ПЕРШИМ ВИКОРИСТАННЯМ**

**Після транспортування або зберігання пристрою при зниженій температурі необхідно витримати його при кімнатній температурі не менше трьох годин.**

- Витягніть праску з упаковки, за наявності захисту на підшві (15) видаліть захист.
- Перевірте цілісність пристрою, за наявності пошкоджень не користуйтеся праскою.
- Перед вмиканням переконайтеся в тому, що напруга в електричній мережі відповідає робочій напрузі праски.
- **У резервуарі можуть знаходитися залишки води – це нормальне явище, так як на виробництві праска проходила контроль якості.**

**Примітка:** При першому вмиканні нагрівальний елемент праски обгорає, тому можливо з'явлення стороннього запаху та невеликої кількості диму, це нормальне явище.

## **ВИБІР ВОДИ**

Ця праска устаткована убудованою системою захисту від накипу. Для наповнення резервуара (13) використовуйте тільки водопровідну воду. Використання дистильованої або/і демінералізованої води знижує ефективність роботи системи захисту від накипу.

**Примітка:** Забороняється заливати у резервуар для води (13) ароматизуючі рідини, оцет, розчин крохмалю, реагенти для видалення накипу, хімічні речовини тощо.

## **НАПОВНЕННЯ РЕЗЕРВУАРА ДЛЯ ВОДИ**

Перш ніж залити воду в праску, переконайтеся в тому, що вона вимкнена з електричної мережі.

- Установіть регулятор температури (11) у положення «MIN», а регулятор постійної подачі пари (3) переведіть у крайнє ліве положення – подача пари вимкнена.
- Відкрийте кришку заливального отвору (2).
- Залийте воду у резервуар для води (13), потім щільно закрийте кришку (2).

## **Примітка**


- **Не наливайте воду вище відмітки «MAX» (14).**
- **Якщо під час прасування необхідно долити воду, вимкніть праску та витягніть мережну вилку з електричної розетки.**
- **Після того, як ви закінчите прасувати, вимкніть праску, дочекайтеся її повного охолодження, після чого відкрийте кришку заливального отвору (2), переверніть праску і злийте залишки води.**

## **ТЕМПЕРАТУРА ПРАСУВАННЯ**

Перед початком експлуатації протестуйте нагріту праску на шматочку тканини, щоб переконатися

в тому, що підошва праски (15) і резервуар для води (13) чисті.

- Завжди перед прасування речей дивіться на ярлик виробу, де вказана рекомендована температура прасування.
- Якщо ярлик з вказівками по прасуванню відсутній, але ви знаєте тип матеріалу, то для вибору температури прасування користуйтеся таблицею.

Позначення	Тип тканини (температура)
	не прасувати
•	синтетика, нейлон, акрил, поліестер (низька температура)
••	Шовк/вовна (середня температура)
•••	Бавовна/льон (висока температура)

- Таблиця придатна лише для гладких матеріалів. Якщо матеріал іншого типу (гофрований, рельєфний тощо), то краще всього його прасувати при низькій температурі.
- Спочатку відсортуйте речі за температурою прасування: синтетику - до синтетики, вовну - до вовни, бавовну - до бавовни і так далі.
- Праска нагрівається швидше, ніж остигає. Тому спочатку рекомендується прасувати речі, які вимагають низьку температуру (наприклад, синтетичні тканини). Потім починайте прасування при вищих температурах (шовк, вовна). Вироби з бавовни і льону слід прасувати в останню чергу.
- Якщо до складу тканини входять сумішеві волокна, то необхідно встановити температуру прасування найнижчу (наприклад, якщо виріб складається на 60% з поліестера і на 40% з бавовни, то його слід прасувати при температурі, відповідній для поліестера «•»).
- Якщо ви не можете визначити склад тканини, то знайдіть на виробі місце, яке не кидається в очі при носінні, і дослідним шляхом виберіть температуру прасування (завжди починайте з найнижчої температури і поступово підвищуйте її, поки не доб'єтеся бажаного результату).
- Вельветові та інші тканини, які швидко починають лиснітися, слід прасувати строго у одному напрямку (у напрямку ворсу) з невеликим натиском.

- Щоб уникнути з'явлення лисночух плям на синтетичних і шовкових тканинах, прасуйте їх з виворітного боку.

## НАЛАШТУВАННЯ ТЕМПЕРАТУРИ ПРАСУВАННЯ

- Поставте праску на основу (9).
- Вставте вилку мережного шнура в електричну розетку.
- Повертанням регулятора (11) установіть потрібну температуру прасування: «•», «••», або «•••» (залежно від типу тканини), при цьому засвітиться індикатор (10).
- Коли температура підошви праски (15) досягне встановленої температури, індикатор (10) погасне, можна починати прасування.

### Примітка:

- Якщо ви прасували при високій температурі, і виникла необхідність перейти на низьку температуру, то рекомендується дочекатися зниження температури підошви і починати прасувати тільки після того, як засвітиться індикатор (10). При паровому прасуванні треба встановлювати температуру прасування «•••», на регуляторі температури (11) сектор роботи з паром відзначений відповідними символами.

## РОЗБРИЗКУВАЧ ВОДИ

- Ви можете зволожити тканину, натиснувши декілька разів на кнопку розбризкувача (5).
- Переконайтеся, що в резервуарі (13) достатньо води.

## СУХЕ ПРАСУВАННЯ

- Поставте праску на основу (9).
- Вставте вилку мережного шнура в розетку.
- Регулятор постійної подачі пари (3) переведіть у крайнє ліве положення – подача пари вимкнена.
- Повертанням регулятора (11) установіть потрібну температуру прасування: «•», «••», або «•••» (залежно від типу тканини), при цьому засвітиться індикатор (10).
- Коли температура підошви праски (15) досягне встановленої температури, індикатор (10) погасне, можна починати прасування.
- Після використання праски установіть регулятор температури (11) у положення «MIN».
- Витягніть вилку мережевого шнура з розетки і дочекайтеся повного охолодження праски.

# УКРАЇНЬСКА

## ПАРОВЕ ПРАСУВАННЯ

При паровому прасуванні необхідно встановлювати температуру прасування «••••», на регуляторі температури (11) сектор роботи з паром відзначений відповідними символами. Праска забезпечена протикраплинним клапаном, який закриває подачу води при дуже низькій температурі підшови праски, це запобігає з'явленню крапель з отворів підшови праски (15). При нагріванні і охолодженні підшови праски ви почуєте характерне клацання відкривання/закривання протикраплинного клапана, що свідчить про його нормальну роботу.

- Поставте праску на основу (9).
- Регулятор постійної подачі пари (3) переведіть у крайнє ліве положення – подача пари вимкнена.
- Вставте вилку мережного шнура в розетку.
- Переконайтеся, що в резервуарі (13) достатньо води.
- Повертанням регулятора (11) установіть потрібну температуру прасування: «••••», при цьому засвітиться індикатор (10).
- Коли температура підшови праски (15) досягне встановленої температури, індикатор (10) погасне, можна починати прасування.
- Регулятором постійної подачі пари (3) встановіть необхідну інтенсивність паротворення, пара почне виходити з отворів підшови праски (15). Для зручності використання регулятор постійної подачі пари (3) має три фіксованих положення інтенсивності паротворення.
- Після використання праски установіть регулятор температури (11) у положення «MIN», а регулятор постійної подачі пари (3) переведіть у крайнє ліве положення – подача пари вимкнена.
- Витягніть вилку мережного шнура з розетки і дочекайтеся повного охолодження праски.

### УВАГА!

*Якщо під час роботи не відбувається постійної подачі пари, перевірте правильність положення регулятора температури (11) та наявність води в резервуарі (13).*

## ДОДАТКОВА ПОДАЧА ПАРИ

Функція додаткової подачі пари корисна при розпрасовуванні складок і може використовуватися тільки при високотемпературному режимі прасування (регулятор температури (11) знаходиться у положенні «••••»).

- При натисненні кнопки додаткової подачі пари (4) пара з підшови праски виходитиме інтенсивніше.

**Примітка:** Щоб уникнути витікання води з парових отворів натискуйте кнопку додаткової подачі пари (4) з інтервалом в 4-5 секунд.

## ВЕРТИКАЛЬНЕ ВІДПАРЮВАННЯ

Функція вертикального відпарювання може використовуватися лише при високотемпературному режимі прасування (у цьому випадку регулятор температури (11) знаходиться у положенні «••••»).

Тримайте праску вертикально на відстані 10-30 см від одягу і натискайте кнопку додаткової подачі пари (4) з інтервалом в 4-5 секунд, пара інтенсивно виходитиме з отворів підшови праски (15).

## Важлива інформація

Не рекомендується здійснювати вертикальне відпарювання синтетичних тканин.

- При відпарюванні не торкайтеся підшовою праски до матеріалу, щоб уникнути його оплавлення.
- Ніколи не відпарюйте одяг, надітий на людину, оскільки температура виходячої пари дуже висока, користуйтеся плічками або вішалкою.
- Закінчивши прасувати, вимкніть праску, дочекайтеся її повного охолодження, після чого відкрийте кришку заливального отвору (2), переверніть праску і злийте залишки води.

## ФУНКЦІЯ АВТОМАТИЧНОГО ВИМКНЕННЯ

Якщо праска була нерухомою близько 30 секунд у горизонтальному положенні або близько восьми хвилин у вертикальному положенні, то нагрівальний елемент праски вимкнеться автоматично, а індикатор (6) буде блимати. Для увімкнення праски просто почніть нею прасувати.

**Примітка:** Після увімкнення праски раніш задана температура підшови буде відновлена через деякий час залежно від положення регулятора (11).

## ОЧИЩЕННЯ ПАРОВОЇ КАМЕРИ

Для подовження терміну роботи праски рекомендується регулярно виконувати очищення парової камери.

- Переведіть регулятор постійної подачі пари (3) у крайнє ліве положення – подача пари вимкнена.
- Наповніть резервуар (13) водою наполовину.

- Поставте праску на основу (9).
- Вставте вилку мережного шнура в електричну розетку.
- Повертанням регулятора (11) установіть максимальну температуру нагрівання підшови праски «•••», при цьому засвітиться індикатор (10).
- Коли підшова праски (15) нагріється до встановленої температури, індикатор (10) погасне, можна проводити очищення парової камери.
- Увімкніть праску, встановивши регулятор температури (11) у положення «MIN». Витягніть вилку мережного шнура з електричної розетки.
- Розташуйте праску горизонтально над раковиною, натисніть та утримуйте кнопку самоочищення (12).
- Кипляча вода і пара разом з накипом будуть викидатися з отворів підшови праски (15).
- Злегка погойдайте праску вперед і назад, поки вся вода не вийде з резервуара (13).
- Поставте праску на основу (9) і дайте їй повністю остигнути.
- Коли підшова праски (15) повністю охолоне, протріть її шматочком сухої тканини.
- Перш ніж забрати праску на зберігання, переконайтеся, що у резервуарі (13) немає води, а підшова праски (15) суха.

## ДОГЛЯД ТА ЧИЩЕННЯ

- Перш ніж чистити праску, переконайтеся, що вона вимкнена з електричної мережі і вже остигла.
- Протирайте корпус праски злегка вологою тканиною, після цього витріть його насухо.
- Відкладення на підшаві праски можуть бути видалені тканиною, змоченою у водно-оцтовому розчині.
- Після видалення відкладень протріть поверхню підшови праски сухою тканиною.
- Не використовуйте для чищення підшови і корпусу праски абразивні чистячі засоби.
- Уникайте контакту підшови праски з гострими металевими предметами.

## ЗБЕРІГАННЯ

- Установіть регулятор температури (11) у положення «MIN», переведіть регулятор постійної подачі пари (3) у крайнє ліве положення – подача пари вимкнена. Витягніть вилку мережного шнура з електричної розетки.

- Відкрийте кришку заливального отвору (2), переверніть праску і злийте рештки води з резервуара для води (13).
- Закрийте кришку (2).
- Поставте праску вертикально і дайте їй повністю остигнути.
- Зберігайте праску у вертикальному положенні у сухому прохолодному місці, недоступному для дітей.

## ТЕХНІЧНІ ХАРАКТЕРИСТИКИ

Електроживлення: 230 В ~ 50/60 Гц  
Споживаєма потужність: 2400 Вт

*Виробник зберігає за собою право змінювати дизайн і технічні характеристики пристрою без попереднього повідомлення*

**Термін служби пристрою – 3 роки**

## УТИЛІЗАЦІЯ



Для захисту навколишнього середовища після закінчення терміну служби пристрою та елементів живлення не викидайте їх разом з побутовими відходами, передайте пристрій та елементи живлення у спеціалізовані пункти для подальшої утилізації.

Відходи, що утворюються при утилізації виробів, підлягають обов'язковому збору з подальшою утилізацією установленим порядком.

Для отримання додаткової інформації про утилізацію даного продукту зверніться до місцевого муніципалітету, служби утилізації побутових відходів або до крамниці, де Ви придбали цей продукт.

## Гарантія

Докладні умови гарантії можна отримати в дилера, що продав дану апаратуру. При пред'явленні будь-якої претензії протягом терміну дії даної гарантії варто пред'явити чек або квитанцію про покупку.



*Даний продукт відповідає вимогам Директиви 2014/30/ЄС щодо електромагнітної сумісності та Директиви 2014/35/ЄС щодо низьковольтного обладнання.*

**GB**

A production date of the item is indicated in the serial number on the technical data plate. A serial number is an eleven-unit number, with the first four figures indicating the production date. For example, serial number 0606xxxxxxx means that the item was manufactured in June (the sixth month) 2006.

**RUS**

Дата производства изделия указана в серийном номере на табличке с техническими данными. Серийный номер представляет собой одиннадцатизначное число, первые четыре цифры которого обозначают дату производства. Например, серийный номер 0606xxxxxxx означает, что изделие было произведено в июне (шестой месяц) 2006 года.

**KZ**

Бұйымның шығарылған мерзімі техникалық деректері бар кестедегі сериялық нөмірде көрсетілген. Сериялық нөмір он бір саннан тұрады, оның бірінші төрт саны шығару мерзімін білдіреді. Мысалы, сериялық нөмір 0606xxxxxxx болса, бұл бұйым 2006 жылдың маусым айында (алтыншы ай) жасалғанын білдіреді.

**UA**

Дата виробництва виробу вказана в серійному номері на табличці з технічними даними. Серійний номер представляє собою одинадцятизначне число, перші чотири цифри якого означають дату виробництва. Наприклад, серійний номер 0606xxxxxxx означає, що виріб був виготовлений в червні (шостий місяць) 2006 року.



ЗАПРЕЩЕНО УТИЛИЗИРОВАТЬ  
С БЫТОВЫМ МУСОРОМ.  
ОБРАТИТЕСЬ НА СООТВЕТСТВУЮЩИЙ  
ПУНКТ ПЕРЕРАБОТКИ ЭЛЕКТРИЧЕСКОГО  
И ЭЛЕКТРОННОГО ОБОРУДОВАНИЯ.