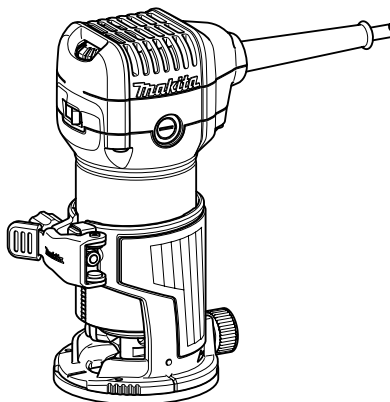
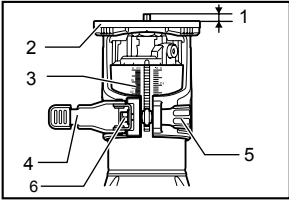




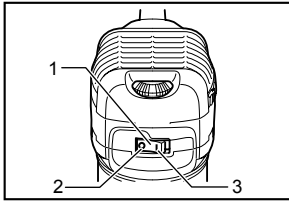
GB	Trimmer	INSTRUCTION MANUAL
S	Kantfräs	BRUKSANVISNING
N	Tilskjæringsmaskin	BRUKSANVISNING
FIN	Jyrsin	KÄYTTÖOHJE
LV	Apgriezējmašīna	LIETOŠANAS INSTRUKCIJA
LT	Profiliavimo staklės	NAUDOJIMO INSTRUKCIJA
EE	Servamismasin	KASUTUSJUHEND
RUS	Триммер	РУКОВОДСТВО ПО ЭКСПЛУАТАЦИИ

RT0700C

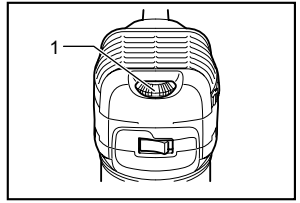




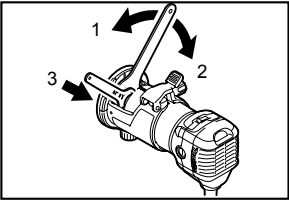
1 011834



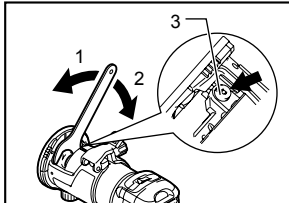
2 011836



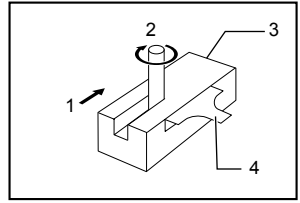
3 011835



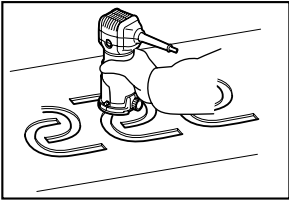
4 011837



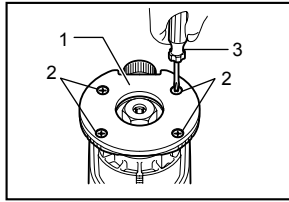
5 011987



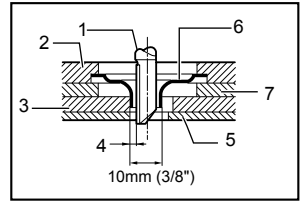
6 001985



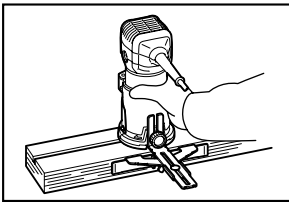
7 011838



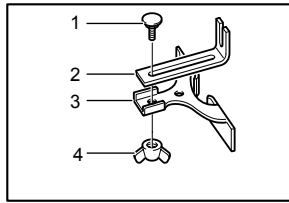
8 011839



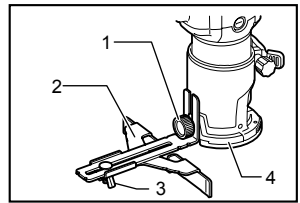
9 011982



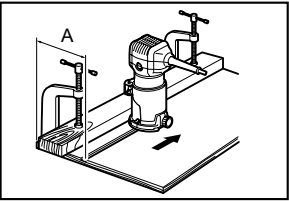
10 011840



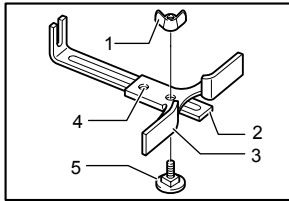
11 001990



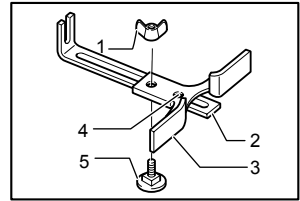
12 011841



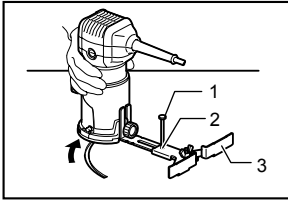
13 011842



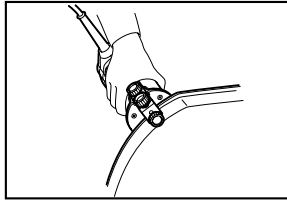
14 001993



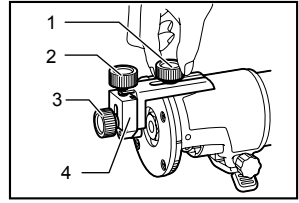
15 001994



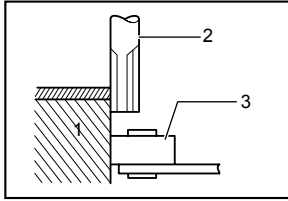
16 011843



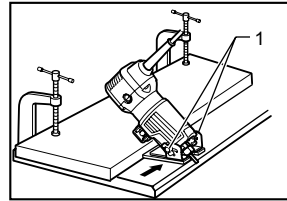
17 011844



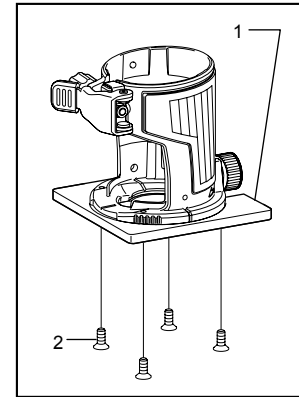
18 011845



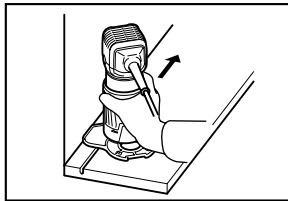
19 001998



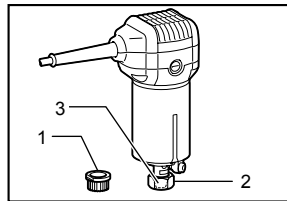
20 011993



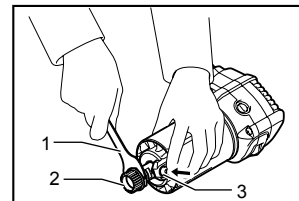
21 011994



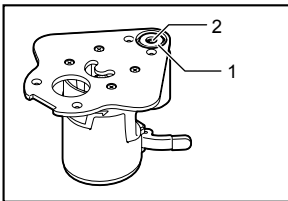
22 012085



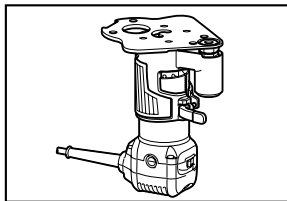
23 011858



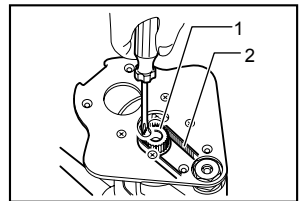
24 011985



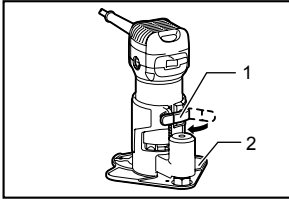
25 011859



26 011860

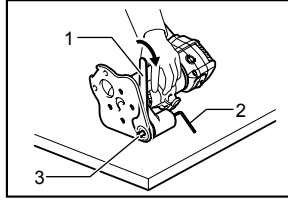


27 011861



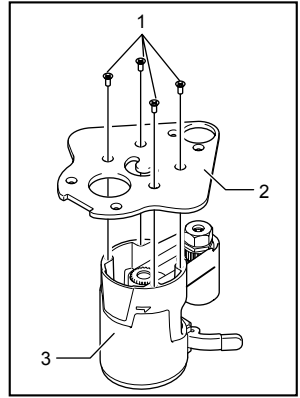
28

011862



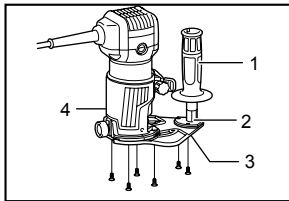
29

011992



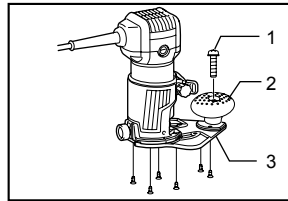
30

011934



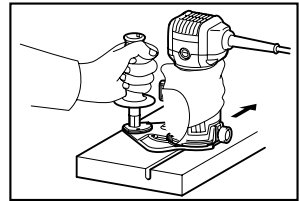
31

011935



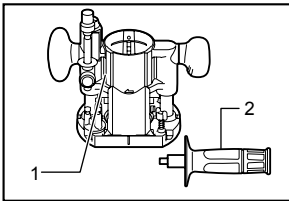
32

011984



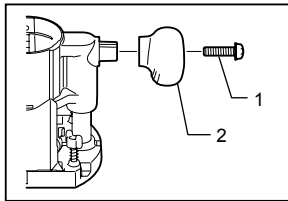
33

011986



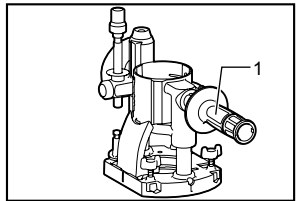
34

011855



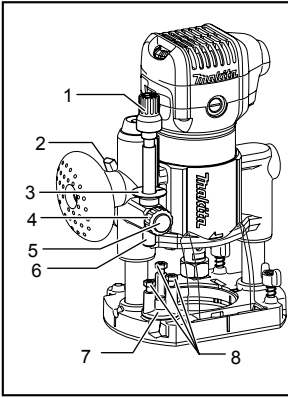
35

011856

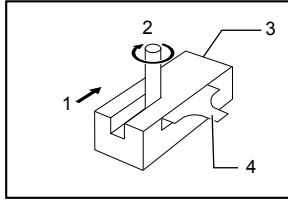


36

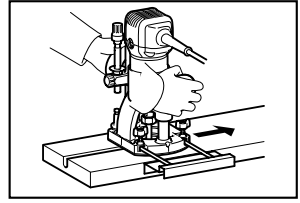
011857



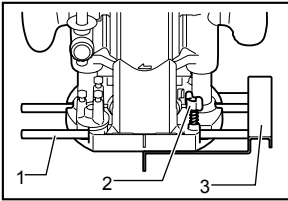
37 011983



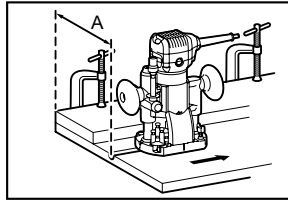
38 001985



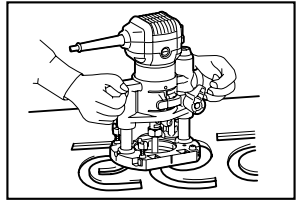
39 011848



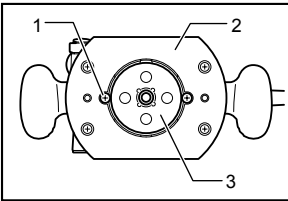
40 011849



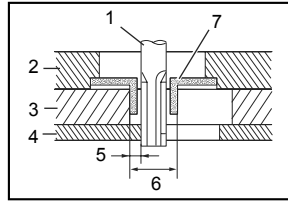
41 011850



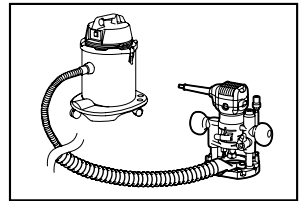
42 011851



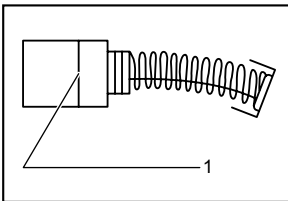
43 011852



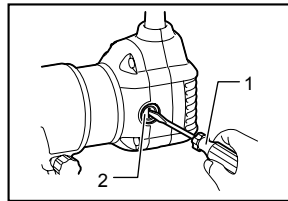
44 003695



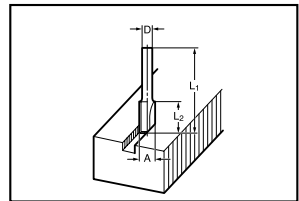
45 011854



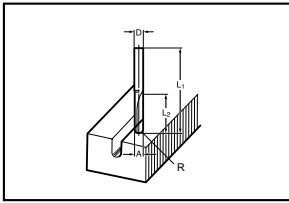
46 001145



47 011846

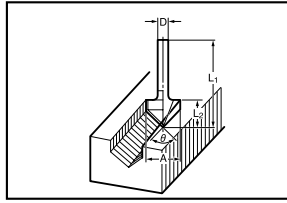


48 005116



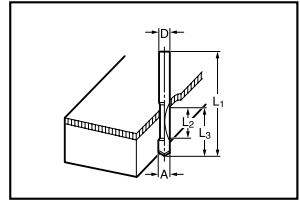
49

005117



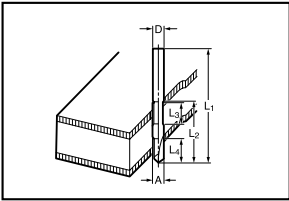
50

005118



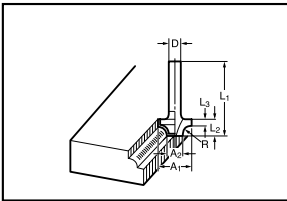
51

005120



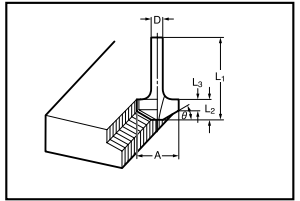
52

005121



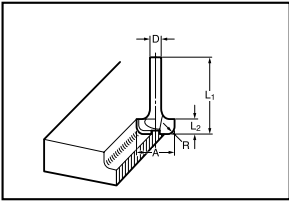
53

005125



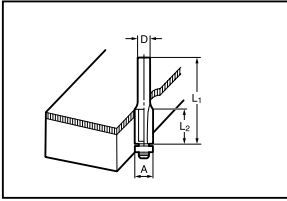
54

005126



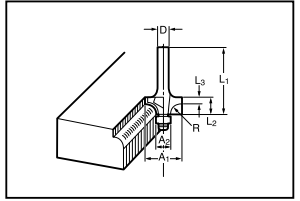
55

005129



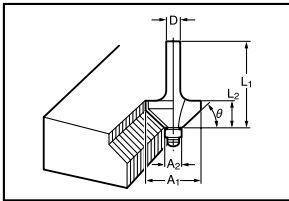
56

005130



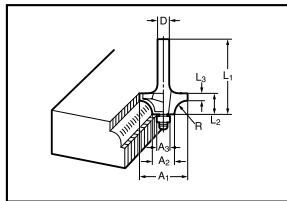
57

005131



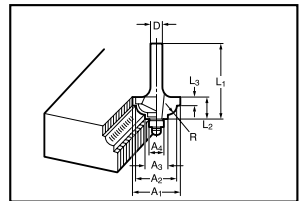
58

005132



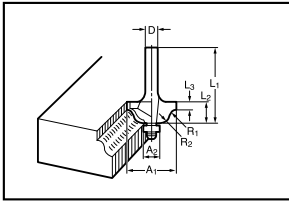
59

005133



60

005134



61

005135

ENGLISH (Original instructions)

Explanation of general view

1-1. Bit protrusion	14-4. Center hole	31-3. Offset base plate
1-2. Tool base	14-5. Bolt	31-4. Trimmer base assembly (optional accessory)
1-3. Scale	15-1. Wing nut	32-1. Screw
1-4. Locking lever	15-2. Guide plate	32-2. Knob type grip
1-5. Adjusting screw	15-3. Straight guide	32-3. Offset base plate
1-6. Hex nut	15-4. Center hole	34-1. Plunge base
2-1. Switch	15-5. Bolt	34-2. Grip
2-2. OFF (O) side	16-1. Nail	35-1. Screw
2-3. ON (I) side	16-2. Center hole	35-2. Knob
3-1. Speed adjusting dial	16-3. Straight guide	36-1. Bar type grip (optional accessory)
4-1. Tighten	18-1. Clamp screw (A)	37-1. Adjusting knob
4-2. Loosen	18-2. Adjusting screw	37-2. Lock lever
4-3. Hold	18-3. Clamp screw (B)	37-3. Depth pointer
5-1. Tighten	18-4. Trimmer guide	37-4. Stopper pole setting nut
5-2. Loosen	19-1. Workpiece	37-5. Fast-feed button
5-3. Shaft lock	19-2. Bit	37-6. Stopper pole
6-1. Feed direction	19-3. Guide roller	37-7. Stopper block
6-2. Bit revolving direction	20-1. Clamping screws	37-8. Adjusting bolt
6-3. Workpiece	21-1. Base protector	38-1. Feed direction
6-4. Straight guide	21-2. Screw	38-2. Bit revolving direction
8-1. Base protector	23-1. Pulley	38-3. Workpiece
8-2. Screws	23-2. Collet nut	38-4. Straight guide
8-3. Screwdriver	23-3. Collet cone	40-1. Guide bar
9-1. Straight bit	24-1. Wrench	40-2. Wing bolt
9-2. Base	24-2. Pulley	40-3. Straight guide
9-3. Templet	24-3. Shaft lock	43-1. Screw
9-4. Distance (X)	25-1. Collet nut	43-2. Base
9-5. Workpiece	25-2. Collet cone	43-3. Templet
9-6. Templet guide 10	27-1. Pulley	44-1. Bit
9-7. Base protector	27-2. Belt	44-2. Base
11-1. Bolt	28-1. Locking lever	44-3. Templet
11-2. Guide plate	28-2. Offset base	44-4. Workpiece
11-3. Straight guide	29-1. Wrench	44-5. Distance (X)
11-4. Wing nut	29-2. Hex wrench	44-6. Outside diameter of the templet guide
12-1. Clamp screw (A)	29-3. Bit	44-7. Templet guide
12-2. Straight guide	30-1. Screws	46-1. Limit mark
12-3. Wing nut	30-2. Offset base plate	47-1. Screwdriver
12-4. Base	30-3. Upper section of the offset base	47-2. Brush holder cap
14-1. Wing nut	31-1. Bar type grip (optional accessory)	
14-2. Guide plate	31-2. Grip attachment (optional accessory)	
14-3. Straight guide		

SPECIFICATIONS

Model	RT0700C
Collet chuck capacity	6 mm, 8 mm, 1/4" or 3/8"
No load speed (min ⁻¹)	10,000 - 30,000
Overall length	200 mm
Net weight	1.8 kg
Safety class	II/III

- Due to our continuing programme of research and development, the specifications herein are subject to change without notice.
- Specifications may differ from country to country.
- Weight according to EPTA-Procedure 01/2003

Intended use

The tool is intended for flush trimming and profiling of wood, plastic and similar materials.

Power supply

The tool should be connected only to a power supply of the same voltage as indicated on the nameplate, and can only be operated on single-phase AC supply. They are double-insulated in accordance with European Standard and can, therefore, also be used from sockets without earth wire.

Noise

The typical A-weighted noise level determined according to EN60745:

Sound pressure level (L_{pA}) : 82 dB(A)
 Sound power level (L_{WA}) : 93 dB(A)
 Uncertainty (K) : 3 dB(A)

Wear ear protection

Vibration

The vibration total value (tri-axial vector sum) determined according to EN60745:

Work mode : rotation without load
 Vibration emission (a_h) : 2.5 m/s² or less
 Uncertainty (K) : 1.5 m/s²

Work mode : cutting grooves in MDF
 Vibration emission (a_h) : 3.5 m/s²
 Uncertainty (K) : 1.5 m/s²

- The declared vibration emission value has been measured in accordance with the standard test method and may be used for comparing one tool with another.
- The declared vibration emission value may also be used in a preliminary assessment of exposure.

⚠WARNING:

- The vibration emission during actual use of the power tool can differ from the declared emission value depending on the ways in which the tool is used.

- Be sure to identify safety measures to protect the operator that are based on an estimation of exposure in the actual conditions of use (taking account of all parts of the operating cycle such as the times when the tool is switched off and when it is running idle in addition to the trigger time).

For European countries only

EC Declaration of Conformity

We Makita Corporation as the responsible manufacturer declare that the following Makita machine(s):

Designation of Machine:

Trimmer

Model No./ Type: RT0700C

are of series production and

Conforms to the following European Directives:

2006/42/EC

And are manufactured in accordance with the following standards or standardised documents:

EN60745

The technical documentation is kept by our authorised representative in Europe who is:

Makita International Europe Ltd.

Michigan Drive, Tongwell,

Milton Keynes, MK15 8JD, England

14.10.2010



Tomoyasu Kato

Director

Makita Corporation

3-11-8, Sumiyoshi-cho,

Anjo, Aichi, JAPAN

000230

GEA010-1

General Power Tool Safety

Warnings

⚠ **WARNING** Read all safety warnings and all instructions. Failure to follow the warnings and instructions may result in electric shock, fire and/or

serious injury.

Save all warnings and instructions for future reference.

GEB019-4

TRIMMER SAFETY WARNINGS

1. **Hold power tool by insulated gripping surfaces, because the cutter may contact its own cord.** Cutting a "live" wire may make exposed metal parts of the power tool "live" and shock the operator.
2. **Use clamps or another practical way to secure and support the workpiece to a stable platform.** Holding the work by your hand or against the body leaves it unstable and may lead to loss of control.
3. **Wear hearing protection during extended period of operation.**
4. **Handle the bits very carefully.**
5. **Check the bit carefully for cracks or damage before operation. Replace cracked or damaged bit immediately.**
6. **Avoid cutting nails. Inspect for and remove all nails from the workpiece before operation.**
7. **Hold the tool firmly.**
8. **Keep hands away from rotating parts.**
9. **Make sure the bit is not contacting the workpiece before the switch is turned on.**
10. **Before using the tool on an actual workpiece, let it run for a while. Watch for vibration or wobbling that could indicate improperly installed bit.**
11. **Be careful of the bit rotating direction and the feed direction.**
12. **Do not leave the tool running. Operate the tool only when hand-held.**
13. **Always switch off and wait for the bit to come to a complete stop before removing the tool from workpiece.**
14. **Do not touch the bit immediately after operation; it may be extremely hot and could burn your skin.**
15. **Do not smear the tool base carelessly with thinner, gasoline, oil or the like. They may cause cracks in the tool base.**
16. **Use bits of the correct shank diameter suitable for the speed of the tool.**
17. **Some material contains chemicals which may be toxic. Take caution to prevent dust inhalation and skin contact. Follow material supplier safety data.**
18. **Always use the correct dust mask/respirator for the material and application you are working with.**

SAVE THESE INSTRUCTIONS.

⚠WARNING:

DO NOT let comfort or familiarity with product (gained from repeated use) replace strict adherence to safety rules for the subject product. MISUSE or failure to follow the safety rules stated in this instruction manual may cause serious personal injury.

FUNCTIONAL DESCRIPTION

⚠CAUTION:

- Always be sure that the tool is switched off and unplugged before adjusting or checking function on the tool.

Adjusting bit protrusion

Fig.1

To adjust the bit protrusion, loosen the locking lever and move the tool base up or down as desired by turning the adjusting screw. After adjusting, tighten the locking lever firmly to secure the tool base.

NOTE:

- When the tool is not secured even if the locking lever is tightened, tighten the hex nut and then tighten the locking lever.

Switch action

Fig.2

⚠CAUTION:

- Before plugging in the tool, always check to see that the tool is switched off.

To start the tool, press the "ON (I)" side of the switch. To stop the tool, press the "OFF (O)" side of the switch.

Electronic function

The tool equipped with electronic function are easy to operate because of the following features.

Constant speed control

Electronic speed control for obtaining constant speed. Possible to get fine finish, because the rotating speed is kept constant even under load condition.

Soft start

Soft-start feature minimizes start-up shock, and makes the tool start smoothly.

Speed adjusting dial

Fig.3

The tool speed can be changed by turning the speed adjusting dial to a given number setting from 1 to 6.

Higher speed is obtained when the dial is turned in the direction of number 6. And lower speed is obtained when it is turned in the direction of number 1.

This allows the ideal speed to be selected for optimum material processing, i.e. the speed can be correctly adjusted to suit the material and bit diameter.

Refer to the table for the relationship between the number settings on the dial and the approximate tool speed.

Number	min ⁻¹
1	10,000
2	12,000
3	17,000
4	22,000
5	27,000
6	30,000

011932

⚠CAUTION:

- If the tool is operated continuously at low speeds for a long time, the motor will get overloaded, resulting in tool malfunction.
- The speed adjusting dial can be turned only as far as 6 and back to 1. Do not force it past 6 or 1, or the speed adjusting function may no longer work.

ASSEMBLY

⚠CAUTION:

- Always be sure that the tool is switched off and unplugged before carrying out any work on the tool.

Installing or removing trimmer bit

Fig.4

Fig.5

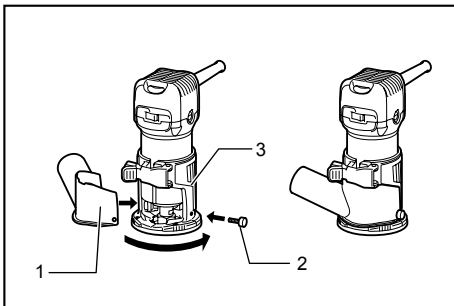
⚠CAUTION:

- Do not tighten the collet nut without inserting a bit, or the collet cone will break.
- Use only the wrenches provided with the tool.

Insert the bit all the way into the collet cone and tighten the collet nut securely with the two wrenches or by pressing the shaft lock and using the provided wrench. To remove the bit, follow the installation procedure in reverse.

OPERATION

For the trimmer base



1. Dust nozzle
2. Thumb screw
3. Trimmer base

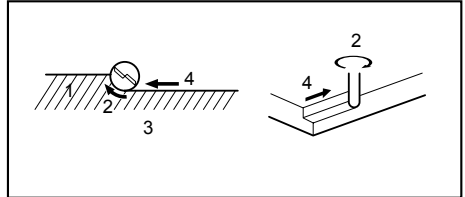
011989

⚠WARNING:

- Before using the tool with the trimmer base, always install the dust nozzle on the trimmer base.

Set the tool base on the workpiece to be cut without the bit making any contact. Then turn the tool on and wait until the bit attains full speed. Move the tool forward over the workpiece surface, keeping the tool base flush and advancing smoothly until the cutting is complete.

When doing edge cutting, the workpiece surface should be on the left side of the bit in the feed direction.



1. Workpiece
2. Bit revolving direction
3. View from the top of the tool
4. Feed direction

001984

NOTE:

- Moving the tool forward too fast may cause a poor quality of cut, or damage to the bit or motor. Moving the tool forward too slowly may burn and mar the cut. The proper feed rate will depend on the bit size, the kind of workpiece and depth of cut. Before beginning the cut on the actual workpiece, it is advisable to make a sample cut on a piece of scrap lumber. This will show exactly how the cut will look as well as enable you to check dimensions.
- When using the trimmer shoe, the straight guide or the trimmer guide, be sure to keep it on the right side in the feed direction. This will help to keep it flush with the side of the workpiece.

Fig.6

⚠CAUTION:

- Since excessive cutting may cause overload of the motor or difficulty in controlling the tool, the depth of cut should not be more than 3 mm at a pass when cutting grooves. When you wish to cut grooves more than 3 mm deep, make several passes with progressively deeper bit settings.

Templet guide (optional accessory)

Fig.7

The templet guide provides a sleeve through which the bit passes, allowing use of the trimmer with templet patterns. Loosen the screws and remove the base protector. Place the templet guide on the base and replace the base protector. Then secure the base protector by tightening the screws.

Fig.8

Secure the templet to the workpiece. Place the tool on the templet and move the tool with the templet guide sliding along the side of the templet.

Fig.9**NOTE:**

- The workpiece will be cut a slightly different size from the templet. Allow for the distance (X) between the router bit and the outside of the templet guide. The distance (X) can be calculated by using the following equation:

Distance (X) = (outside diameter of the templet guide - router bit diameter) / 2

Straight guide (optional accessory)**Fig.10**

The straight guide is effectively used for straight cuts when chamfering or grooving.

Fig.11

Attach the guide plate to the straight guide with the bolt and the wing nut.

Fig.12

Attach the straight guide with the clamp screw (A). Loosen the wing nut on the straight guide and adjust the distance between the bit and the straight guide. At the desired distance, tighten the wing nut securely.

When cutting, move the tool with the straight guide flush with the side of the workpiece.

If the distance (A) between the side of the workpiece and the cutting position is too wide for the straight guide, or if the side of the workpiece is not straight, the straight guide cannot be used. In this case, firmly clamp a straight board to the workpiece and use it as a guide against the trimmer base. Feed the tool in the direction of the arrow.

Fig.13**Circular work****Fig.14**

Circular work may be accomplished if you assemble the straight guide and guide plate as shown in the figures.

Min. and max. radius of circles to be cut (distance between the center of circle and the center of bit) are as follows:

Min.: 70 mm

Max.: 221 mm

For cutting circles between 70 mm and 121 mm in radius.

For cutting circles between 121 mm and 221 mm in radius.

Fig.15**NOTE:**

- Circles between 172 mm and 186 mm in radius cannot be cut using this guide.

Fig.16

Align the center hole in the straight guide with the center of the circle to be cut. Drive a nail less than 6 mm in diameter into the center hole to secure the straight guide.

Pivot the tool around the nail in clockwise direction.

Trimmer guide (optional accessory)**Fig.17**

Trimming, curved cuts in veneers for furniture and the like can be done easily with the trimmer guide. The guide roller rides the curve and assures a fine cut.

Fig.18

Install the trimmer guide on the tool base with the clamp screw (A). Loosen the clamp screw (B) and adjust the distance between the bit and the trimmer guide by turning the adjusting screw (1 mm per turn). At the desired distance, tighten the clamp screw (B) to secure the trimmer guide in place.

Fig.19

When cutting, move the tool with the guide roller riding the side of the workpiece.

Tilt base (optional accessory)

Tilt base (optional accessory) is convenient for chamfering.

Fig.20

Place the tool onto the tilt base and close the locking lever at the desired protrusion of the bit. For desired angle, tighten the clamping screws on its sides.

Firmly clamp a straight board to the workpiece and use it as a guide against the tilt base. Feed the tool in the direction of the arrow.

Base protector removed from the tilt base (optional accessory)

Mounting the base protector which has been removed from the tilt base on the trimmer base allows the change of the trimmer base from the round base to a square base.

For another application, remove the base protector from the tilt base by loosening and removing four screws.

Fig.21

And then mount the base protector on the trimmer base.

Offset base (optional accessory)**Fig.22**

- Offset base (optional accessory) is convenient for work in a tight area such as a corner.

Fig.23

Before installing the tool on the offset base, remove the collet nut and collet cone by loosening the collet nut.

Fig.24

Install the pulley on the tool by pressing the shaft lock and firmly tightening the pulley with a wrench.

Fig.25

Place the collet cone and screw the collet nut on the offset base as shown in the figure.

Fig.26

Mount the tool on the offset base

Fig.27

Put an end of the belt over the pulley using a screwdriver and make sure that its entire belt width fits over the pulley completely.

Fig.28

Secure it with a locking lever on the offset base.

Fig.29

To install the bit, fall the tool with the offset base on its side. Insert the hex wrench into the hole in the offset base.

With the hex wrench held in that position, insert the bit into the collet cone on the shaft of the offset base from the opposite side and tighten the collet nut firmly with a wrench.

To remove the bit at replacement, follow the installation procedure in reverse.

- (2) Offset base (optional accessory) can also be used with a trimmer base and a grip attachment (optional accessory) for more stability.

Fig.30

Loosen the screws and remove the upper section from the offset base. Put aside the upper section of the offset base.

Fig.31

Mount the trimmer base with four screws and the grip attachment (optional accessory) with two screws on the offset base plate.

Screw a bar type grip (optional accessory) onto the grip attachment.

Fig.32

In another way of use, the knob type grip which is removed from a plunge base (optional accessory) can be installed on the grip attachment. To install the knob type grip, place it on the grip attachment and secure it with a screw.

Fig.33

When using as a router only with a plunge base (optional accessory)

⚠CAUTION:

- When using as a router, hold the tool firmly with both hands.

Fig.34

To use the tool as a router, install the tool on a plunge base (optional accessory) by pressing it down fully.

Either knob type grip or bar type grip (optional accessory) can be used according to your work.

Fig.35

To use the bar type grip (optional accessory), loosen the screw and remove the knob type grip.

Fig.36

And then screw the bar type grip on the base.

Adjusting the depth of cut when using the plunge base (optional accessory)

Fig.37

Place the tool on a flat surface. Loosen the lock lever and lower the tool body until the bit just touches the flat surface. Tighten the lock lever to lock the tool body.

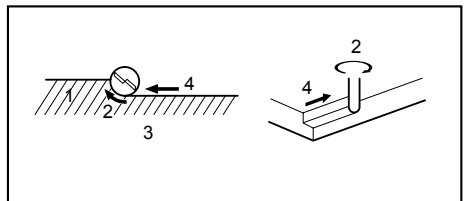
Turn the stopper pole setting nut counterclockwise. Lower the stopper pole until it makes contact with the adjusting bolt. Align the depth pointer with the "0" graduation. The depth of cut is indicated on the scale by the depth pointer. While pressing the fast-feed button, raise the stopper pole until the desired depth of cut is obtained. Minute depth adjustments can be obtained by turning the adjusting knob (1 mm per turn).

By turning the stopper pole setting nut clockwise, you can fasten the stopper pole firmly.

Now, your predetermined depth of cut can be obtained by loosening the lock lever and then lowering the tool body until the stopper pole makes contact with the adjusting hex bolt of the stopper block.

Always firmly hold the tool by both grip during operation. Set the tool base on the workpiece to be cut without the bit making any contact. Then turn the tool on and wait until the bit attains full speed. Lower the tool body and move the tool forward over the workpiece surface, keeping the tool base flush and advancing smoothly until the cutting is complete.

When doing edge cutting, the workpiece surface should be on the left side of the bit in the feed direction.



1. Workpiece
2. Bit revolving direction
3. View from the top of the tool
4. Feed direction

001984

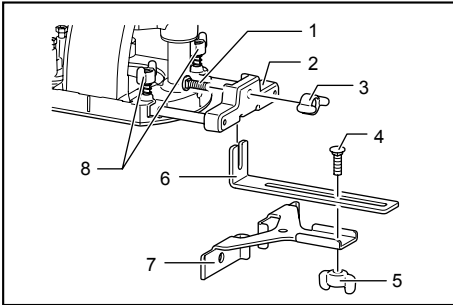
NOTE:

- Moving the tool forward too fast may cause a poor quality of cut, or damage to the bit or motor. Moving the tool forward too slowly may burn and mar the cut. The proper feed rate will depend on the bit size, the kind of workpiece and depth of cut. Before beginning the cut on the actual workpiece, it is advisable to make a sample cut on a piece of scrap lumber. This will show exactly how the cut will look as well as enable you to check dimensions.
- When using the straight guide, be sure to install it on the right side in the feed direction. This will help to keep it flush with the side of the workpiece.

Fig.38

Straight guide when using as a router (needed to use with guide holder (optional accessory))

The straight guide is effectively used for straight cuts when chamfering or grooving.



- 1. Bolt
- 2. Guide holder
- 3. Wing nut
- 4. Bolt
- 5. Wing nut
- 6. Guide plate
- 7. Straight guide
- 8. Wing bolts

011988

Install the straight guide on the guide holder (optional accessory) with the wing nut.

Insert the guide holder into the holes in the plunge base and tighten the wing bolts. To adjust the distance between the bit and the straight guide, loosen the wing nut. At the desired distance, tighten the wing nut to secure the straight guide in place.

Straight guide (optional accessory)

Fig.39

The straight guide is effectively used for straight cuts when chamfering or grooving.

Fig.40

To install the straight guide, insert the guide bars into the holes in the plunge base. Adjust the distance between the bit and the straight guide. At the desired distance, tighten the wing bolts to secure the straight guide in place.

When cutting, move the tool with the straight guide flush with the side of the workpiece.

Fig.41

If the distance (A) between the side of the workpiece and the cutting position is too wide for the straight guide, or if the side of the workpiece is not straight, the straight guide cannot be used. In this case, firmly clamp a straight board to the workpiece and use it as a guide against the router base. Feed the tool in the direction of the arrow.

Templet guide (optional accessory)

Fig.42

The templet guide provides a sleeve through which the bit passes, allowing use of the tool with templet patterns. To install the templet guide, loosen the screws on the tool base, insert the templet guide and then tighten the screws.

Fig.43

Secure the templet to the workpiece. Place the tool on the templet and move the tool with the templet guide sliding along the side of the templet.

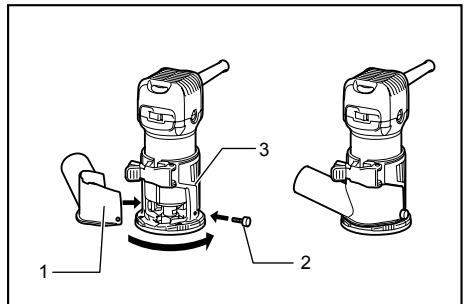
Fig.44

NOTE:

- The workpiece will be cut a slightly different size from the templet. Allow for the distance (X) between the bit and the outside of the templet guide. The distance (X) can be calculated by using the following equation:
Distance (X) = (outside diameter of the templet guide - bit diameter) / 2

Dust nozzle sets

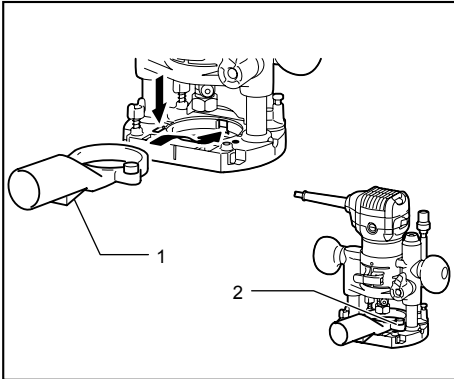
For the trimmer base



- 1. Dust nozzle
- 2. Thumb screw
- 3. Trimmer base

011989

For the plunge base (optional accessory)



- 1. Dust nozzle
- 2. Thumb screw

011853

Use the dust nozzle for dust extraction. Install the dust nozzle on the tool base using the thumb screw so that protrusion on the dust nozzle fit to the notch in the tool base.

Then connect a vacuum cleaner to the dust nozzle.

Fig.45

MAINTENANCE

⚠CAUTION:

- Always be sure that the tool is switched off and unplugged before attempting to perform inspection or maintenance.
- Never use gasoline, benzine, thinner, alcohol or the like. Discoloration, deformation or cracks may result.

Replacing carbon brushes

Fig.46

Remove and check the carbon brushes regularly. Replace when they wear down to the limit mark. Keep the carbon brushes clean and free to slip in the holders. Both carbon brushes should be replaced at the same time. Use only identical carbon brushes.

Fig.47

Use a screwdriver to remove the brush holder caps. Take out the worn carbon brushes, insert the new ones and secure the brush holder caps.

To maintain product SAFETY and RELIABILITY, repairs, any other maintenance or adjustment should be performed by Makita Authorized Service Centers, always using Makita replacement parts.

OPTIONAL ACCESSORIES

⚠CAUTION:

- These accessories or attachments are recommended for use with your Makita tool specified in this manual. The use of any other accessories or attachments might present a risk of injury to persons. Only use accessory or attachment for its stated purpose.

If you need any assistance for more details regarding these accessories, ask your local Makita Service Center.

- Straight & groove forming bits
- Edge forming bits
- Laminate trimming bits
- Straight guide assembly
- Trimmer guide assembly
- Trimmer base assembly
- Tilt base assembly
- Plunge base assembly
- Offset base assembly
- Templet guide
- Collet cone 6 mm
- Collet cone 6.35 mm (1/4")
- Collet cone 8 mm
- Collet cone 9.53 mm (3/8")
- Wrench 13
- Wrench 22

Trimmer bits

Straight bit

Fig.48

mm				
	D	A	L 1	L 2
20	6	20	50	15
20E	1/4"			
8	8	8	60	25
8	6			
8E	1/4"		50	18
6	6			
6E	1/4"	6	50	18

011929

"U" Grooving bit

Fig.49

mm					
	D	A	L 1	L 2	R
6	6	6	60	28	3
6E	1/4"				

006486

"V" Grooving bit

Fig.50

mm				
D	A	L 1	L 2	θ
1/4"	20	50	15	90°

006454

Drill point flush trimming bit

Fig.51

mm					
	D	A	L 1	L 2	L 3
8	8	8	60	20	35
6	6	6	60	18	28
6E	1/4"				

011930

Drill point double flush trimming bit

Fig.52

mm						
	D	A	L 1	L 2	L 3	L 4
8	8	8	80	95	20	25
6	6	6	70	40	12	14
6E	1/4"					

011931

Corner rounding bit

Fig.53

mm							
	D	A 1	A 2	L 1	L 2	L 3	R
8R	6	25	9	48	13	5	8
8RE	1/4"						
4R	6	20	8	45	10	4	4
4RE	1/4"						

006489

Chamfering bit

Fig.54

mm						
D	A	L 1	L 2	L 3	θ	
6	23	46	11	6	30°	
6	20	50	13	5	45°	
6	20	49	14	2	60°	

006462

Cove beading bit

Fig.55

mm				
D	A	L 1	L 2	R
6	20	43	8	4
6	25	48	13	8

006464

Ball bearing flush trimming bit

Fig.56

mm			
D	A	L 1	L 2
6	10	50	20
1/4"			

006465

Ball bearing corner rounding bit

Fig.57

mm						
D	A 1	A 2	L 1	L 2	L 3	R
6	15	8	37	7	3.5	3
6	21	8	40	10	3.5	6
1/4"	21	8	40	10	3.5	6

006466

Ball bearing chamfering bit

Fig.58

mm						
D	A 1	A 2	L 1	L 2	θ	
6	26	8	42	12	45°	
1/4"						
6	20	8	41	11	60°	

006467

Ball bearing beading bit

Fig.59

mm							
D	A 1	A 2	A 3	L 1	L 2	L 3	R
6	20	12	8	40	10	5.5	4
6	26	12	8	42	12	4.5	7

006468

Ball bearing cove beading bit

Fig.60

mm								
D	A 1	A 2	A 3	A 4	L 1	L 2	L 3	R
6	20	18	12	8	40	10	5.5	3
6	26	22	12	8	42	12	5	5

006469

Ball bearing roman ogee bit

Fig.61

mm							
D	A 1	A 2	L 1	L 2	L 3	R 1	R 2
6	20	8	40	10	4.5	2.5	4.5
6	26	8	42	12	4.5	3	6

006470

NOTE:

- Some items in the list may be included in the tool package as standard accessories. They may differ from country to country.

SVENSKA (Originalbruksanvisning)

Förklaring till översiktsciklarna

1-1. Fräsdjup	14-3. Parallellanslag	31-2. Greppfillsats (valfritt tillbehör)
1-2. Bottenplatta	14-4. Centrumhål	31-3. Distansbottenplatta
1-3. Skala	14-5. Bult	31-4. Sats för fräsens bottenplatta (valfritt tillbehör)
1-4. Låsspak	15-1. Vingmutter	32-1. Skruv
1-5. Inställningsskruv	15-2. Anhåll	32-2. Knoppgrepp
1-6. Sexkantmutter	15-3. Parallellanslag	32-3. Distansbottenplatta
2-1. Strömbrytare	15-4. Centrumhål	34-1. Sänkbar bottenplatta
2-2. (O) OFF-sidan	15-5. Bult	34-2. Handtag
2-3. (I) ON-sidan	16-1. Spik	35-1. Skruv
3-1. Ratt för hastighetsinställning	16-2. Centrumhål	35-2. Vred
4-1. Dra fast	16-3. Parallellanslag	36-1. Rörformat grepp (valfritt tillbehör)
4-2. Lossa	18-1. Låsskruv (A)	37-1. Inställningsknapp
4-3. Håll	18-2. Inställningsskruv	37-2. Låsknapp
5-1. Dra fast	18-3. Låsskruv (B)	37-3. Djupvisare
5-2. Lossa	18-4. Rullanslag	37-4. Inställningsmutter för stoppstång
5-3. Spindellås	19-1. Arbetsstycke	37-5. Snabbmatningsknapp
6-1. Matningsriktning	19-2. Bits	37-6. Stoppstång
6-2. Rotationsriktning	19-3. Rulle	37-7. Stoppkloss
6-3. Arbetsstycke	20-1. Låsskruvar	37-8. Inställningsbult
6-4. Parallellanslag	21-1. Bottenplattans skydd	38-1. Matningsriktning
8-1. Bottenplattans skydd	21-2. Skruv	38-2. Rotationsriktning
8-2. Skruvar	23-1. Matarvred	38-3. Arbetsstycke
8-3. Skruvmejsel	23-2. Hylsmutter	38-4. Parallellanslag
9-1. Notfräs	23-3. Spännhylsa	40-1. Svärd
9-2. Bottenplatta	24-1. Skruvnyckel	40-2. Vingbult
9-3. Schablon	24-2. Matarvred	40-3. Parallellanslag
9-4. Avstånd (X)	24-3. Spindellås	43-1. Skruv
9-5. Arbetsstycke	25-1. Hylsmutter	43-2. Bottenplatta
9-6. Mallanslag 10	25-2. Spännhylsa	43-3. Schablon
9-7. Bottenplattans skydd	27-1. Matarvred	44-1. Bits
11-1. Bult	27-2. Bälte	44-2. Bottenplatta
11-2. Anhåll	28-1. Låsspak	44-3. Schablon
11-3. Parallellanslag	28-2. Distansbas	44-5. Avstånd (X)
11-4. Vingmutter	29-1. Skruvnyckel	44-6. Mallanslagets ytterdiameter
12-1. Låsskruv (A)	29-2. Insexnyckel	44-7. Mallanslag
12-2. Parallellanslag	29-3. Bits	46-1. Slitmarkering
12-3. Vingmutter	30-1. Skruvar	47-1. Skruvmejsel
12-4. Bottenplatta	30-2. Distansbottenplatta	47-2. Kolhållarlock
14-1. Vingmutter	30-3. Övre delen på distansbasen	
14-2. Anhåll	31-1. Rörformat grepp (valfritt tillbehör)	

SPECIFIKATIONER

Modell	RT0700C
Max spännhulsdiameter	6 mm, 8 mm, 1/4" eller 3/8"
Obelastat varvtal (min ⁻¹)	10 000 - 30 000
Längd	200 mm
Vikt	1,8 kg
Säkerhetsklass	II

- På grund av vårt pågående program för forskning och utveckling kan dessa specifikationer ändras utan föregående meddelande.
- Specifikationerna kan variera mellan olika länder.
- Vikt i enlighet med EPTA-procedur 01/2003

Användningsområde

Verktyget är avsett för trimning och profilering av trä, plast och liknande material.

Strömförsörjning

Maskinen får endast anslutas till nät med spänning som anges på typplåten och med enfasis växelström. Den är dubbelisolerad i enlighet med europeisk standard och får därför också anslutas till ojordade vägguttag.

Buller

Typiska A-vägd bullernivån är mätt enligt EN60745:

Ljudtrycksnivå (L_{pA}): 82 dB(A)

Ljudtrycksnivå (L_{WA}): 93 dB(A)

Måttolerans (K): 3 dB(A)

Använd hörselskydd

Vibration

Vibrationens totalvärde (tre-axlars vektorsumma) mätt enligt EN60745:

Arbetsläge: rotation utan last

Vibrationsemission (a_n): 2,5 m/s² eller mindre

Måttolerans (K): 1,5 m/s²

Arbetsläge: spårfräsning i MDF

Vibrationsemission (a_n): 3,5 m/s²

Måttolerans (K): 1,5 m/s²

- Det deklarerade vibrationsemissionsvärdet har uppmätts i enlighet med standardtestmetoden och kan användas för jämförandet av en maskin med en annan.
- Det deklarerade vibrationsemissionsvärdet kan också användas i preliminär bedömning av exponering för vibration.

⚠ VARNING!

- Vibrationsemissionen under faktisk användning av maskinen kan skilja sig från det deklarerade emissionsvärdet, beroende på hur maskinen används.
- Se till att hitta säkerhetsåtgärder som kan skydda användaren och som grundar sig på en uppskattning

av exponering i verkligheten (ta med i beräkningen alla delar av användandet såsom antal gånger maskinen är avstängd och när den körs på tomgång samt då startomkopplaren används).

Gäller endast Europa

EU-konformitetsdeklaration

Vi Makita Corporation som ansvariga tillverkare deklarerar att följande Makita-maskin(er):

Maskinbeteckning:

Kantfräs

Modellnr./ Typ: RT0700C

är för serieproduktion och

Följer följande EU-direktiv:

2006/42/EC

Och är tillverkade enligt följande standarder eller standardiseringsdokument:

EN60745

Den tekniska dokumentationen förs av vår auktoriserade representant i Europa som är:

Makita International Europe Ltd,
Michigan, Drive, Tongwell,
Milton Keynes, MK15 8JD, England

14.10.2010



000230

Tomoyasu Kato
Director

Makita Corporation
3-11-8, Sumiyoshi-cho,
Anjo, Aichi, JAPAN

GEA010-1

Allmänna säkerhetsvarningar för maskin

⚠ **VARNING Läs igenom alla säkerhetsvarningar och instruktioner.** Underlåtenhet att följa varningar och instruktioner kan leda till elektrisk stöt, brand och/eller allvariga personskador.

Spara alla varningar och instruktioner för framtida referens.

GEB019-4

SÄKERHETSVARNINGAR FÖR KANTFRÄS

1. Håll maskinen i de isolerade greppyrtorna eftersom maskinen kan komma i kontakt med sin egen kabel. Om maskinen kommer i kontakt med en strömförande ledning blir dess metalldelar strömförande och kan ge operatören en elektrisk stöt.
2. Använd tvingar eller annat praktiskt för att fästa och stödja arbetsstycket på ett stabilt underlag. Att hålla arbetsstycket i händerna eller mot kroppen ger inte tillräckligt stöd och du kan förlora kontrollen.
3. Använd hörselskydd vid längre tids användning.
4. Hantera fräsverktygen försiktigt.
5. Kontrollera före användning att fräsverktygen inte är spruckna eller skadade. Byt omedelbart ut ett skadat eller sprucket fräsverktyg.
6. Undvik att säga i spik. Kontrollera arbetsstycket och ta bort alla spikar före arbetet.
7. Håll maskinen stadigt.
8. Håll händerna på avstånd från roterande delar.
9. Se till att fräsverktyget inte kommer i kontakt med arbetsstycket innan strömbrytaren slagits på.
10. Låt verktyget vara igång en stund innan den används på arbetsstycket. Kontrollera att det inte förekommer vibrationer eller kast som indikerar att fräsverktyget installerats felaktigt.
11. Kontrollera fräsverktygets rotations- och kontningsriktning.
12. Lämna inte maskinen igång. Använd endast maskinen när du håller den i händerna.
13. Stäng av maskinen och vänta tills fräsverktyget stannat helt innan verktyget avlägsnas från arbetsstycket.
14. Rör inte vid fräsverktyget eller arbetsstycket omedelbart efter arbetet. De kan vara extremt varma och orsaka brännskador.
15. Iakttag försiktighet med tinner, bensen, olja eller liknande på verktygsfästet. Detta kan orsaka sprickor i verktygsfästet.
16. Använd fräsverktyg med rätt skaftdiameter som passar maskinens hastighet.
17. Vissa material kan innehålla giftiga kemikalier. Se till att du inte andas in damm eller får det på huden. Följ anvisningarna i leverantörens materialsäkerhetsblad.
18. Använd alltid andningsskydd eller skyddsmask anpassat för det material du arbetar med när du slipar.

SPARA DESSA ANVISNINGAR.

⚠VARNING!

GLÖM INTE att noggrant följa säkerhetsanvisningarna för maskinen även efter det att du har blivit van att använda den. **OVARSAM** hantering eller underlåtenhet att följa säkerhetsanvisningarna i denna bruksanvisning kan leda till allvarliga personskador.

FUNKTIONSBESKRIVNING

⚠FÖRSIKTIGT!

- Se alltid till att maskinen är avstängd och nätsladden urdragen innan du justerar eller funktionskontrollerar maskinen.

Inställning av fräsdjupet

Fig.1

Justera fräsdjupet genom att lossa låsspaken och flytta maskinens bottenplatta uppåt eller nedåt till önskat läge genom att vrida på inställningsskruven. Dra åt låsspaken ordentligt för att fästa maskinens bottenplatta efter justeringen.

OBS!

- När maskinen inte är fäst även fast låsspaken är åtdragen, ska insexmuttern först dras åt och därefter låsspaken.

Avtryckarens funktion

Fig.2

⚠FÖRSIKTIGT!

- Se alltid till att maskinen är avstängd innan du ansluter den till elnätet.

Tryck på sidan "ON (I)" på knappen för att slå på maskinen. Tryck på sidan "OFF (O)" på knappen för att stoppa maskinen.

Elektronisk funktion

Maskinen som är utrustad med elektronisk funktion, är enkel att använda tack vare följande egenskaper.

Konstant hastighetskontroll

Elektronisk hastighetskontroll för att erhålla en konstant hastighet. Detta alternativ ger dig möjlighet att få en fin finish eftersom den roterande hastigheten hålls konstant även vid hög belastning.

Mjukstart

Mjukstartsfunktionen minimerar ryck vid uppstarten och gör att maskinen får en mjuk start.

Ratt för hastighetsinställning

Fig.3

Verktygshastigheten kan ändras genom att vrida ratten för hastighetsinställning till en inställning på mellan 1 och 6.

Högre hastighet erhålls när ratten vrids mot nummer 6. Och, lägre hastighet erhålls när den vrids mot nummer 1.

Detta gör att ideal hastighet kan väljas för optimal materialbearbetning, dvs. hastigheten kan ställas in så att den lämpar sig för materialet och fräsdiametern. Se tabellen för förhållandet mellan inställningarna på ratten och ungefärlig verktyghastighet.

Nummer	min ⁻¹
1	10 000
2	12 000
3	17 000
4	22 000
5	27 000
6	30 000

011932

⚠ FÖRSIKTIGT!

- Om maskinen används oavbrutet i låg hastighet under en lång period, blir motorn överbelastad och maskinen fungerar dåligt.
- Ratten för hastighetsinställning kan endast vridas till 6 och tillbaka till 1. Tvunga den inte förbi 6 eller 1, eftersom det kan leda till att funktionen för hastighetsinställning inte längre fungerar.

MONTERING

⚠ FÖRSIKTIGT!

- Se alltid till att maskinen är avstängd och nätsladden urdragen innan maskinen repareras.

Montering eller demontering av fräsverktyg

Fig.4

Fig.5

⚠ FÖRSIKTIGT!

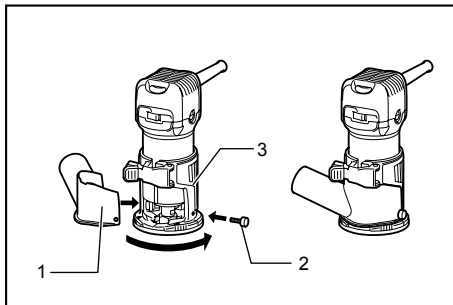
- Om hylsmuttern dras åt utan att det sitter ett fräsverktyg i förstörs spännhylsan.
- Använd endast de nycklar som levererats med maskinen.

Sätt i fräsverktyget hela vägen in i spännhylsan och dra åt spännmuttern ordentligt med de två nycklarna eller genom att trycka på spindellåset och använda den medföljande nyckeln.

Följ monteringsförfarandet i omvänd ordning för att ta ur fräsverktyget.

ANVÄNDNING

För fräsens bottenplatta



- Dammunestycke
- Tumskruv
- Fräsens bottenplatta

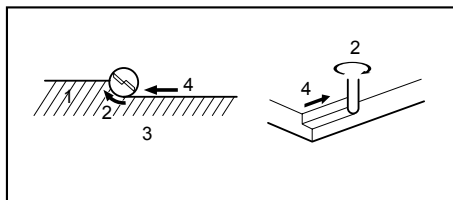
011989

⚠ VARNING!

- Innan du använder maskinen med fräsens bottenplatta ska du alltid montera dammunstycket på fräsens bottenplatta.

Placera bottenplattan på arbetsstycket utan att fräsverktyget kommer i kontakt med arbetsstycket. Starta maskinen och vänta tills fräsverktyget uppnått full hastighet. För sedan maskinen mjukt framåt över arbetsstyckets yta med bottenplattan plant mot arbetsstycket tills fräsningen är genomförd.

Vid kantfräsning skall arbetsstyckets yta befinna sig på vänstra sidan av fräsverktyget i matningsriktningen.



- Arbetsstycke
- Rotationsriktning
- Sett från verktygets ovasida
- Matningsriktning

001984

OBS!

- Om maskinen matas framåt allför snabbt kan den frästa ytan få en dålig finish, eller så kan fräsverktyget eller motorn skadas. Om maskinen matas framåt allför långsamt kan arbetsstycket bli bränt och förstört. Lämplig matningshastighet beror på fräsverktygets dimension, typ av arbetsmaterial och fräsdjup. Det är lämpligt att utföra en provfräsning på en träbit, innan fräsningen på det faktiska arbetsstycket påbörjas. Därmed kan man exakt se hur resultatet av fräsningen ser ut, och även kontrollera dimensionerna.

- När fräsanslaget, parallellanslaget eller rullanslaget används, skall du se till att hålla anslaget på den högra sidan i matningsriktningen. Det gör det lättare att hålla anslaget plant mot arbetsstyckets sida.

Fig.6

⚠FÖRSIKTIGT!

- Eftersom en alltför kraftig fräsning kan orsaka överbelastning av motorn eller svårigheter att kontrollera maskinen, bör fräsdjupet inte vara mer än 3 mm per gång vid spårfräsning. Gör flera fräsningar med en gradvis ökande inställning av fräsdjupet, när du vill fräsa spår som är djupare än 3 mm.

Mallanslag (valfritt tillbehör)

Fig.7

Mallanslaget fungerar som en hylsa genom vilket fräsverktaget passerar så att fräsen kan användas med mallar.

Lossa skruvarna och ta bort bottenplattans skydd. Placera mallanslaget på bottenplattan och sätt tillbaka skyddet. Fäst det sedan genom att dra åt skruvarna.

Fig.8

Fäst mallen mot arbetsstycket. Placera maskinen på mallen, och för maskinen med mallanslaget glidande efter mallens sida.

Fig.9

OBS!

- Arbetsstycket kommer att fräsas med en liten skillnad i storlek i jämförelse med mallen. Räkna med ett avstånd (X) mellan fräsverktaget och mallanslagets utsida. Avståndet (X) kan beräknas genom att använda följande ekvation:

Avstånd (X) = (mallanslagets ytterdiameter - fräsverktagets diameter) / 2

Parallellanslag (valfritt tillbehör)

Fig.10

Parallellanslaget är effektivt att använda för raka arbetslinjer vid avfasning eller spårfräsning.

Fig.11

Fäst anhållet på parallellanslaget med bulten och vingmuttern.

Fig.12

Fäst parallellanslaget med låsskruven (A). Lossa vingmuttern på parallellanslaget och justera avståndet mellan fräsverktaget och parallellanslaget. Fäst vingmuttern ordentligt vid önskat avstånd.

För maskinen med parallellanslaget plant mot arbetsstyckets sida under fräsningen.

Om avståndet (A) mellan arbetsstyckets sida och fräslinjen är för stor för parallellanslaget, eller om arbetsstyckets sida inte är rakt, kan parallellanslaget inte användas. Spänn i så fall fast en träskiva med rak kant på arbetsstycket, och använd den som anslag mot fräsens bottenplatta. Mata maskinen i pilens riktning.

Fig.13

Cirkelarbeta

Fig.14

Cirkelarbeta kan utföras om du monterar parallellanslaget och anhållet, såsom visas i figurerna.

Minimal och maximal radie hos cirklar som ska fräsas (avståndet mellan cirkelns centrum och fräsverktagets centrum) är enligt följande:

Min.: 70 mm

Max.: 221 mm

För fräsning av cirklar med en radie mellan 70 mm och 121 mm.

För fräsning av cirklar med en radie mellan 121 mm och 221 mm.

Fig.15

OBS!

- Cirklar med en radie mellan 172 mm och 186 mm kan inte fräsas med detta anslag.

Fig.16

Rikta in centrumhålet på parallellanslaget med centrum på den cirkeln som ska fräsas. Slå i en spik som är mindre än 6 mm i diameter i centrumhålet för att fästa parallellanslaget. Sväng maskinen medurs runt spiken.

Rullanslag (valfritt tillbehör)

Fig.17

Kantfräsning av böjda ytor i fanér för möbler och liknande kan lätt göras med rullanslaget. Rullanslaget följer den böjda kanten och garanterar ett fint frässpår.

Fig.18

Montera rullanslaget på bottenplattan med låsskruven (A). Lossa låsskruven (B) och justera avståndet mellan fräsverktaget och rullanslaget genom att vrida inställningsskruven (1 mm per varv). Dra sedan åt låsskruven (B) för att fästa rullanslaget på plats på önskat avstånd.

Fig.19

För maskinen med rullen löpande mot arbetsstyckets sida under fräsningen.

Fällbar bottenplatta (valfritt tillbehör)

Fällbar bottenplatta (valfritt tillbehör) är praktisk för avfasning.

Fig.20

Placera maskinen på den fällbara bottenplattan och stäng låsspaken när fräsverktaget är i önskat läge. Ställ in önskad vinkel och dra åt låsskruvarna på sidorna.

Spänn fast en rak bräda ordentligt på arbetsstycket och använd den som ett anslag mot den fällbara bottenplattan. Mata maskinen i pilens riktning.

Bottenplattans skydd borttaget från den fällbara bottenplattan (valfritt tillbehör)

Montering av bottenplattans skydd, vilken har tagits bort från den fällbara bottenplattan på fräsens bottenplatta, tillåter byte av fräsens bottenplatta från en rund till en fyrkantig.

För en annan applikation, ta bort bottenplattans skydd från den fällbara bottenplattan genom att lossa och ta bort de fyra skruvarna.

Fig.21

Montera sedan bottenplattans skydd på fräsens bottenplatta.

Distansbottenplatta (valfritt tillbehör)

Fig.22

- (1) Distansbottenplatta (valfritt tillbehör) är praktisk för arbete i trångt utrymme såsom hörn.

Fig.23

Innan maskinen monteras på distansbottenplattan ska hyllsmuttern och spännhylsan tas bort genom att lossa på hyllsmuttern.

Fig.24

Montera drivhjulet på maskinen genom att trycka på spindellåset och dra åt drivhjulet hårt med en nyckel.

Fig.25

Placera spännhylsan och skruva på hyllsmuttern på distansbottenplattan, såsom visas i figuren.

Fig.26

Montera maskinen på distansbottenplattan

Fig.27

Placera ena änden av remmen över drivhjulet med hjälp av en skruvmejsel och kontrollera att remmens hela bredd passar helt över drivhjulet.

Fig.28

Fäst den med låsspaken på distansbottenplattan.

Fig.29

Fäll över maskinen på sidan med distansbottenplattan för att montera fräsverktyget. Sätt i insexnyckeln i hålet på distansbottenplattan.

Med insexnyckeln i det låget ska fräsverktyget föras in, från motsatt sidan, i spännhylsan på distansbottenplattans skaft, och hyllsmuttern dras åt ordentligt med en nyckel.

Följ monteringsförfarandet i omvänd ordning för att ta ur fräsverktyget vid byte.

- (2) Distansbottenplattan (valfritt tillbehör) kan också användas med en fräsbottenplatta och en grepptillsats (valfritt tillbehör) för mer stabilitet.

Fig.30

Lossa skruvarna och ta bort den övre delen av distansbottenplattan. Lägg den åt sidan.

Fig.31

Montera fräsens bottenplatta med fyra skruvar och grepptillsatsen (valfritt tillbehör) med två skruvar på distansbottenplattan.

Skruva på ett rörformat grepp (valfritt tillbehör) på grepptillsatsen.

Fig.32

Knoppgreppet, som är borttaget från den sänkbara bottenplattan (valfritt tillbehör), kan monteras på grepptillsatsen. För att montera knoppgreppet ska det placeras på grepptillsatsen och fästas med en skruv.

Fig.33

Vid användning endast som en handöverfräs med en sänkbar bottenplatta (valfritt tillbehör)

⚠FÖRSIKTIGT!

- Håll i maskinen ordentligt med båda händerna när den används som en handöverfräs.

Fig.34

För att använda maskinen som en handöverfräs, ska maskinen monteras på en sänkbar bottenplatta (valfritt tillbehör) genom att trycka ner den helt.

Antingen knoppgreppet eller det rörformade greppet (valfritt tillbehör) kan användas, beroende på arbetet.

Fig.35

För att använda det rörformade greppet (valfritt tillbehör), ska skruven lossas och knoppgreppet tas bort.

Fig.36

Skruva sedan på det rörformade greppet på basen.

Justering av spårdjupet vid användning av sänkbar bottenplatta (valfritt tillbehör)

Fig.37

Placera verktyget på en plan yta. Lossa låsspaken och sänk verktyget tills biten bara nuddar den plana ytan. Dra åt låsspaken för att låsa verktyget.

Vrid stoppstagets inställningsmutter moturs. Sänk stoppstaget tills den får önskat spårdjup. Ytterst små djupjusteringar kan göras genom att vrida inställningsratten (1 mm per varv).

Genom att vrida inställningsratten för stoppstaget medurs kan du fästa det stadigt. Medan du trycker ned snabbmatningsknappen, lyfter du stoppstaget tills du får önskat spårdjup. Ytterst små djupjusteringar kan göras genom att vrida inställningsratten (1 mm per varv).

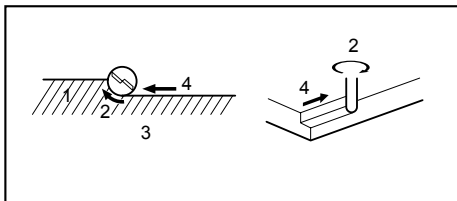
Genom att vrida inställningsratten för stoppstaget medurs kan du fästa det stadigt. Medan du trycker ned snabbmatningsknappen, lyfter du stoppstaget tills du får önskat spårdjup. Ytterst små djupjusteringar kan göras genom att vrida inställningsratten (1 mm per varv).

Genom att vrida inställningsratten för stoppstaget medurs kan du fästa det stadigt.

Det fastställda spårdjupet kan erhållas genom att lossa låsspaken och därefter sänka verktyget tills stoppstaget får kontakt med stoppklossens justerbara insexbult.

Håll alltid maskinen ordentligt i båda greppen under drift. Placera bottenplattan på arbetsstycket utan att fräsverktyget kommer i kontakt med arbetsstycket. Starta maskinen och vänta tills fräsverktyget uppnått full hastighet. Sänk maskinhuset och för maskinen långsamt framåt över arbetsstyckets yta, medan du håller bottenplattan plant och fortsätter smidigt tills fräsningen är klar.

Vid kantfräsning skall arbetsstyckets yta befinna sig på vänstra sidan av fräsverkyget i matningsriktningen.



1. Arbetsstycke
2. Rotationsriktning
3. Sett från verktygets ovsida
4. Matningsriktning

001984

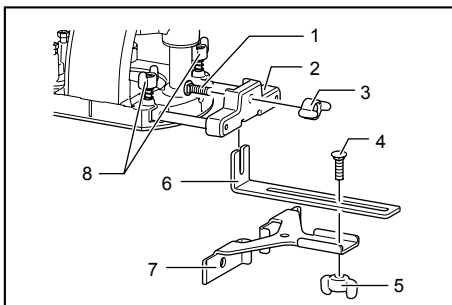
OBS!

- Om maskinen matas framåt alltför snabbt kan den frästa ytan få en dålig finish, eller så kan fräsverkyget eller motorn skadas. Om maskinen matas framåt alltför långsamt kan arbetsstycket bli bränt och förstört. Lämplig matningshastighet beror på fräsverkygets dimension, typ av arbetsmaterial och fräsdjup. Det är lämpligt att utföra en provfräsning på en träbit, innan fräsningen på det faktiska arbetsstycket påbörjas. Därmed kan man exakt se hur resultatet av fräsningen ser ut, och även kontrollera dimensionerna.
- När parallellanslag används, se till att montera det på den högra sidan i matningsriktningen. Det gör det lättare att hålla anslaget plant mot arbetsstyckets sida.

Fig.38

Parallellanslag när den används som handöverfräs (måste användas med anslagshållare (valfritt tillbehör))

Parallellanslaget är effektivt att använda för raka arbetslinjer vid avfasning eller spårfräsning.



1. Bult
2. Anslagshållare
3. Vingmutter
4. Bult
5. Vingmutter
6. Anhåll
7. Parallellanslag
8. Vingbultar

011988

Montera parallellanslaget på anslagshållaren (valfritt tillbehör) med vingmuttern.

Sätt i anslagshållaren i hålen på den sänkbara bottenplattan och dra åt vingbultarna. Lossa på vingmuttern för att justera avståndet mellan fräsverkyget och parallellanslaget. Vid önskat avstånd drar du åt vingmuttern för att fästa parallellanslaget på plats.

Parallellanslag (valfritt tillbehör)

Fig.39

Parallellanslaget är effektivt att använda för raka arbetslinjer vid avfasning eller spårfräsning.

Fig.40

För att montera parallellanslaget ska anslagsstängerna sättas in i hålen på den sänkbara bottenplattan. Justera avståndet mellan fräsverkyget och parallellanslaget. Vid önskat avstånd drar du åt vingbultarna för att fästa parallellanslaget på plats.

För maskinen med parallellanslaget plant mot arbetsstyckets sida under fräsningen.

Fig.41

Om avståndet (A) mellan arbetsstyckets sida och fräslinjen är för stor för parallellanslaget, eller om arbetsstyckets sida inte är rakt, kan parallellanslaget inte användas. Spänn i så fall fast en träskiva med rak kant på arbetsstycket, och använd den som anslag mot handfräsens bottenplatta. Mata maskinen i pilens riktning.

Mallanslag (valfritt tillbehör)

Fig.42

Mallanslaget fungerar som en hylsa genom vilket fräsverktyget passerar, så att handöverfräsen kan användas med mallar.

Lossa skruvarna på bottenplattan, för in mallanslaget och dra sedan åt skruvarna för att montera anslaget.

Fig.43

Fäst mallen mot arbetsstycket. Placera maskinen på mallen, och för maskinen med mallanslaget glidande efter mallens sida.

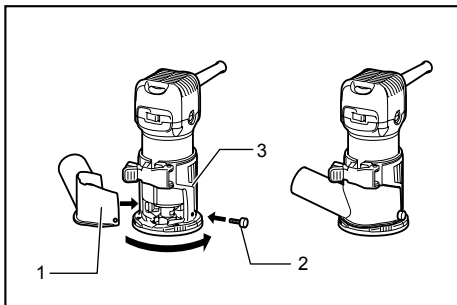
Fig.44

OBS!

- Arbetsstycket kommer att fräsas med en liten skillnad i storlek i jämförelse med mallen. Tillåt ett mellanrum (X) mellan fräsverktyget och yttersidan på mallanslaget. Avståndet (X) kan beräknas genom att använda följande ekvation:
Avstånd (X) = (mallanslagets ytterdiameter - fräsverktygets diameter) / 2

Satser för dammunestycke

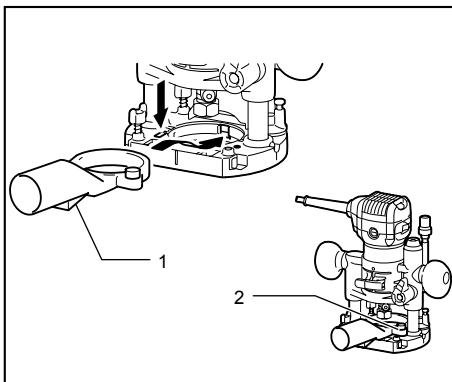
För frärens bottenplatta



1. Dammunestycke
2. Tumskruv
3. Frärens bottenplatta

011989

För sänkbar bottenplatta (valfritt tillbehör)



1. Dammunestycke
2. Tumskruv

011853

Använd dammunestycket för att ta bort damm. Montera dammunestycket på maskinens bottenplatta, med hjälp av tumskraven, så att den utskjutande delen på dammunestycket passar in i spåret på bottenplattan. Anslut sedan en dammsugare till dammunestycket.

Fig.45

UNDERHÅLL

⚠ FÖRSIKTIGT!

- Se alltid till att maskinen är avstängd och nätkabeln urdragen innan inspektion eller underhåll utförs.
- Använd inte bensin, thinner, alkohol eller liknande. Missfärgning, deformation eller sprickor kan uppstå

Byte av kolborstar

Fig.46

Ta bort och kontrollera kolborstarna regelbundet. Byt dem när de är slitna ner till slitmarkeringen. Håll kolborstarna rena så att de lätt kan glida in i hållarna. Båda kolborstarna ska bytas ut samtidigt. Använd endast identiska kolborstar.

Fig.47

Använd en skruvmejsel för att ta bort locken till kolborstarna. Ta ur de utslitna kolborstarna, montera nya och montera locken.

För att upprätthålla produktens SÄKERHET och TILLFÖRLITLIGHET bör allt underhålls- och justeringsarbete utföras av ett auktoriserat Makita servicecenter och med reservdelar från Makita.

VALFRIA TILLBEHÖR

⚠ FÖRSIKTIGT!

- Dessa tillbehör och tillsatser rekommenderas för användning tillsammans med den Makita-maskin som denna bruksanvisning avser. Om andra tillbehör eller tillsatser används kan det uppstå risk för personsador. Använd endast tillbehören eller tillsatserna för de syften de är avsedda för.

Kontakta ditt lokala Makita servicecenter om du behöver ytterligare information om dessa tillbehör.

- Notfräs- och falsfräsverktyg
- Kantfräsverktyg
- Kantfräs med styrlager
- Parallellanslag
- Rullanslag
- Bottenplatta för fräs
- Sats för fällbar bottenplatta
- Sats för sänkbar bottenplatta
- Sats för distansbottenplatta
- Mallanslag
- Spännhylsa 6 mm
- Spännhylsa 6,35 mm (1/4")
- Spännhylsa 8 mm
- Spännhylsa 9,53 mm (3/8")
- Skruvnyckel 13
- Skruvnyckel 22

Kantfräsverktyg

Notfräs

Fig.48

mm					
	D	A	L 1	L 2	
20	6	20	50	15	
20E	1/4"				
8	8	8	60	25	
8	6		50	18	
8E	1/4"				
6	6	6	50	18	
6E	1/4"				

011929

Hålkärlsfräs med styrlager

Fig.49

mm					
	D	A	L 1	L 2	R
6	6	6	60	28	3
6E	1/4"				

006486

Fasfräs 45 grader

Fig.50

mm					
D	A	L 1	L 2	θ	
1/4"	20	50	15	90°	

006454

Kantfräs med styrlager

Fig.51

mm					
	D	A	L 1	L 2	L 3
8	8	8	60	20	35
6	6	6	60	18	28
6E	1/4"				

011930

Kantfräs med dubbelt styrlager

Fig.52

mm						
	D	A	L 1	L 2	L 3	L 4
8	8	8	80	95	20	25
6	6	6	70	40	12	14
6E	1/4"					

011931

Avrundningsfräs

Fig.53

mm							
	D	A 1	A 2	L 1	L 2	L 3	R
8R	6	25	9	48	13	5	8
8RE	1/4"						
4R	6	20	8	45	10	4	4
4RE	1/4"						

006489

Fasfräs

Fig.54

mm					
D	A	L 1	L 2	L 3	θ
6	23	46	11	6	30°
6	20	50	13	5	45°
6	20	49	14	2	60°

006462

Hålkärlsfräs

Fig.55

mm					
D	A	L 1	L 2	R	
6	20	43	8	4	
6	25	48	13	8	

006464

Kullagrad kantfräs

Fig.56

mm			
D	A	L 1	L 2
6	10	50	20
1/4"			

006465

Kullagrad avrundningsfräs

Fig.57

mm							
D	A 1	A 2	L 1	L 2	L 3	R	
6	15	8	37	7	3,5	3	
6	21	8	40	10	3,5	6	
1/4"	21	8	40	10	3,5	6	

006466

Kullagrad fasfräs

Fig.58

						mm
D	A 1	A 2	L 1	L 2	θ	
6	26	8	42	12	45°	
1/4"					60°	
6	20	8	41	11		

006467

Kullagrad spegelprofilfräs

Fig.59

								mm
D	A 1	A 2	A 3	L 1	L 2	L 3	R	
6	20	12	8	40	10	5,5	4	
6	26	12	8	42	12	4,5	7	

006468

Kullagrad hålkärtsfräs

Fig.60

									mm
D	A 1	A 2	A 3	A 4	L 1	L 2	L 3	R	
6	20	18	12	8	40	10	5,5	3	
6	26	22	12	8	42	12	5	5	

006469

Kullagrad profilfräs

Fig.61

								mm
D	A 1	A 2	L 1	L 2	L 3	R1	R2	
6	20	8	40	10	4,5	2,5	4,5	
6	26	8	42	12	4,5	3	6	

006470

OBS!

- Några av tillbehören i listan kan vara inkluderade i maskinpaketet som standardtillbehör. De kan variera mellan olika länder.

NORSK (originalinstruksjoner)

Oversiktsforklaring

1-1. Bitsfremspring	14-3. Rett føring	31-2. Håndtaksfeste (valgfritt tilbehør)
1-2. Maskinfot	14-4. Senterhull	31-3. Forskjøvet fotplate
1-3. Skala	14-5. Skrue	31-4. Skjærefotsett (valgfritt tilbehør)
1-4. Låsehendel	15-1. Vingemutter	32-1. Skrue
1-5. Justeringssskrue	15-2. Føringsplate	32-2. Kulehåndtak
1-6. Sekskantmutter	15-3. Rett føring	32-3. Forskjøvet fotplate
2-1. Bryter	15-4. Senterhull	34-1. Senkefot
2-2. OFF (O)-side	15-5. Skrue	34-2. Håndtak
2-3. ON (I)-side	16-1. Spikere	35-1. Skrue
3-1. Hastighetsinnstillingshjul	16-2. Senterhull	35-2. Knott
4-1. Stramme	16-3. Rett føring	36-1. Stanghåndtak (valgfritt tilbehør)
4-2. Løsne	18-1. Klemskrue (A)	37-1. Justeringsknott
4-3. Holde	18-2. Justeringssskrue	37-2. Låsehendel
5-1. Stramme	18-3. Klemskrue (B)	37-3. Dybdepeker
5-2. Løsne	18-4. Skjæreføring	37-4. Innstillingsmutter for stopperstang
5-3. Spindellås	19-1. Arbeidsemne	37-5. Hurtiginnstillingsknapp
6-1. Materetning	19-2. Bits	37-6. Stopperstang
6-2. Bitsrotasjonsretning	19-3. Føringsrull	37-7. Stopperblokk
6-3. Arbeidsemne	20-1. Klemskruer	37-8. Justeringssskrue
6-4. Rett føring	21-1. Fotbeskytter	38-1. Materetning
8-1. Fotbeskytter	21-2. Skrue	38-2. Bitsrotasjonsretning
8-2. Skruer	23-1. Talje	38-3. Arbeidsemne
8-3. Skrutrekker	23-2. Patronmutter	38-4. Rett føring
9-1. Rett bits	23-3. Patronkonus	40-1. Sverd
9-2. Feste	24-1. Skrunøkkel	40-2. Vingeskrue
9-3. Mal	24-2. Talje	40-3. Rett føring
9-4. Avstand (X)	24-3. Spindellås	43-1. Skrue
9-5. Arbeidsemne	25-1. Patronmutter	43-2. Feste
9-6. Malføring 10	25-2. Patronkonus	43-3. Mal
9-7. Fotbeskytter	27-1. Talje	44-1. Bits
11-1. Skrue	27-2. Reim	44-2. Feste
11-2. Føringsplate	28-1. Låsehendel	44-3. Mal
11-3. Rett føring	28-2. Forskjøvet fot	44-4. Arbeidsemne
11-4. Vingemutter	29-1. Skrunøkkel	44-5. Avstand (X)
12-1. Klemskrue (A)	29-2. Sekskantnøkkel	44-6. Utvendig diameter på malføring
12-2. Rett føring	29-3. Bits	44-7. Malføring
12-3. Vingemutter	30-1. Skruer	46-1. Utskiftingsmerke
12-4. Feste	30-2. Forskjøvet fotplate	47-1. Skrutrekker
14-1. Vingemutter	30-3. Øvre del av forskjøvet fot	47-2. Børsteholderhette
14-2. Føringsplate	31-1. Stanghåndtak (valgfritt tilbehør)	

TEKNISKE DATA

Modell	RT0700C
Kjokskapasitet	6 mm, 8 mm, 1/4" eller 3/8"
Ubelastet turtall (min ⁻¹)	10 000 - 30 000
Total lengde	200 mm
Nettovekt	1,8 kg
Sikkerhetsklasse	II

- Som følge av vårt kontinuerlige forsknings- og utviklingsprogram kan de tekniske dataene endres uten ytterligere forvarsel.
- Tekniske data kan variere fra land til land.
- Vekt i henhold til EPTA-prosedyre 01/2003

Beregnet bruk

ENE010-1

Denne maskinen er laget for rask trimming og profilering av tre, plastikk og lignende materialer.

ENF002-1

Strømforsyning

Maskinen må bare kobles til en strømkilde med samme spenning som vist på typeskiltet, og kan bare brukes med enfase-vekselstrømforsyning. Det er dobbelt verneisoleret i samsvar med europeiske standarder, og kan derfor også brukes i kontakter uten jordledning.

ENG905-1

Støy

Typisk A-vektet lydtryknivå er bestemt i henhold til EN60745:

- Lydtryknivå (L_{pA}): 82 dB(A)
- Lydeffektnivå (L_{WA}): 93 dB(A)
- Usikkerhet (K): 3 dB(A)

Bruk hørselvern

ENG900-1

Vibrasjon

Den totale vibrasjonsverdien (triaksial vektorsum) bestemt i henhold til EN60745:

- Arbeidsmåte: rotasjon uten belastning
- Genererte vibrasjoner (a_h): 2,5 m/s² eller mindre
- Usikkerhet (K): 1,5 m/s²

- Arbeidsmåte: Frese spor i MDF-plate
- Genererte vibrasjoner (a_h): 3,5 m/s²
- Usikkerhet (K): 1,5 m/s²

ENG901-1

- Den angitte verdien for de genererte vibrasjonene er blitt målt i samsvar med standardtestmetoden og kan brukes til å sammenlikne et verktøy med et annet.
- Den angitte verdien for de genererte vibrasjonene kan også brukes til en foreløpig vurdering av eksponeringen.

⚠ ADVARSEL:

- De genererte vibrasjonene ved faktisk bruk av elektroverktøyet kan avvike fra den oppgitte vibrasjonsverdien, avhengig av hvordan verktøyet brukes.

- Vær påpasselig med å finne sikkerhetstiltak som beskytter operatøren, basert på en oppfatning av risiko under faktiske bruksforhold (på bakgrunn av alle sider ved brukssyklusen, som når verktøyet slås av og når det går på tomgang, i tillegg til oppstarten).

ENH101-14

Gjelder bare land i Europa

EF-samsvarserklæring

Som ansvarlig produsent erklærer Makita Corporation at følgende Makita-maskin(er):

Maskinbetegnelse:

Tilskjæringsmaskin

Modellnr./type: RT0700C

er serieprodusert og

samsvarer med følgende europeiske direktiver:

2006/42/EC

og er produsert i samsvar med følgende standarder eller standardiserte dokumenter:

EN60745

Den tekniske dokumentasjonen oppbevares hos vår autoriserte representant i Europa, som er:

Makita International Europe Ltd.

Michigan Drive, Tongwell,

Milton Keynes, MK15 8JD, England

14.10.2010



000230

Tomoyasu Kato

Direktør

Makita Corporation

3-11-8, Sumiyoshi-cho,

Anjo, Aichi, JAPAN

GEA010-1

Generelle advarsler angående sikkerhet for elektroverktøy

⚠ ADVARSEL Les alle sikkerhetsadvarslene og alle instruksjonene. Hvis du ikke følger alle advarslene og instruksjonene som er oppført nedenfor, kan det føre til elektriske støt, brann og/eller alvorlige helseskader.

Oppbevar alle advarsler og instruksjoner for senere bruk.

GEB019-4

SIKERHETSADVARSLER FOR SKJÆREMASKIN

1. **Hold maskinen i det isolerte håndtaket, fordi skjæreren kan komme i kontakt med maskinens egen ledning.** Hvis en strømførende ledning kuttes, vil uisolerte metalldele av maskinen bli strømførende og kunne gi brukeren elektrisk støt.
2. **Bruk tvinger eller en annen praktisk måte å sikre og støtte arbeidsstykket på en stabil plattform.** Hvis du holder det med hånden eller mot kroppen, kan det være ustabilt og føre til at du mister kontrollen.
3. **Bruk hørselsvern ved lengre arbeidsøker.**
4. **Fjern så den fastkjørte biten.**
5. **Før du begynner å bruke verktøyet, må du kontrollere nøye at bitsene ikke har sprekker eller andre skader. Skift ut sprukne eller ødelagte bits omgående.**
6. **Unngå å skjære i spiker. Se etter og fjern all spiker fra arbeidsstykket før arbeidet påbegynnes.**
7. **Hold maskinen godt fast.**
8. **Hold hendene unna roterende deler.**
9. **Forviss deg om at bitset ikke er i kontakt med arbeidsstykket før startbryteren er slått på.**
10. **Før du begynner å bruke maskinen på et arbeidsstykke, bør du la den gå en liten stund. Se etter vibrasjoner eller vingling som kan tyde på at bitset ikke er korrekt montert.**
11. **Vær nøye med bitsets dreieretning og materetningen.**
12. **Ikke gå fra verktøyet mens det er i gang. Verktøyet må bare brukes mens operatøren holder det i hendene.**
13. **Før du fjerner verktøyet fra arbeidsstykket, må du alltid slå av maskinen og vente til bitset har stoppet helt.**
14. **Ikke berør bitset umiddelbart etter bruk. Det kan være ekstremt varmt og kan gi deg brannskader.**
15. **Ikke søl tynner, bensin, olje eller liknende på maskinfoten. Disse stoffene kan forårsake sprekker i maskinfoten.**
16. **Bruk bits med riktig skaftdiameter som passer for hastigheten til verktøyet.**
17. **Enkelte materialer inneholder kjemikalier som kan være giftige. Treff tiltak for å hindre hudkontakt og innånding av støv. Følg leverandørens sikkerhetsanvisninger.**
18. **Bruk alltid riktig støvmaske/pustemaske for det materialet og det bruksområdet du arbeider med.**

TA VARE PÅ DISSE INSTRUKSENE.

⚠ADVARSEL:

Selv om du har brukt produktet mye og føler deg fortrolig med det, er det likevel svært viktig at du følger nøye de retningslinjene for sikkerhet som er utarbeidet for dette produktet. **MISBRUK** av verktøyet eller mislighold av sikkerhetsreglene i denne brukerhåndboken kan resultere i alvorlige helseskader.

FUNKSJONS BESKRIVELSE

⚠FORSIKTIG:

- Forviss deg alltid om at maskinen er slått av og støpselet trukket ut av kontakten før du justerer maskinen eller kontrollerer dens mekaniske funksjoner.

Justere bitsfremspring

Fig.1

For å justere hvor mye av biten som stikker ut, løsne låsespaken og flytt maskinfoten opp eller ned etter ønske ved å vri på justeringsskruen. Når du er ferdig med å justere, stram låsespaken godt for å feste maskinfoten.

MERK:

- Hvis maskinen ikke er festet selv om låsespaken er strammet, stram den sekskantede mutteren og deretter låsespaken.

Bryterfunksjon

Fig.2

⚠FORSIKTIG:

- Før du setter støpselet inn i kontakten, må du alltid forvise deg om at verktøyet er slått av.

Start verktøyet ved å trykke på "ON (I)" -siden av av/på-knappen. Stopp verktøyet ved å trykke på "OFF (O)" -siden av av/på-knappen.

Elektronisk funksjon

Verktøyet med elektronisk funksjon er lett å bruke på grunn av følgende egenskaper.

Konstant turtallskontroll

Elektronisk hastighetskontroll for konstant hastighet. Slik oppnår du god utførelse, fordi at rotasjonshastigheten holdes konstant selv under belastning.

Myk start

Myk start-funksjonen reduserer oppstartssjokket til et minimum, og gjør at verktøyet starter mykt.

Turtallsinnstillingshjul

Fig.3

Du kan endre verktøyhastigheten ved å dreie på innstillingshjulet for turtallet til en gitt tallinnstilling fra 1 til 6.

Hastigheten øker når hjulet dreies i retning av nummer 6, og hastigheten reduseres når det dreies i retning av nummer 1.

På denne måten kan den ideelle hastigheten velges for optimal materialbehandling, dvs. at hastigheten kan justeres korrekt for å passe til det aktuelle materialet og bitsdiameteren.

Se også tabellen når det gjelder forholdet mellom tallinnstillingen på hjulet og den omtrentlige verktøyhastigheten.

Nummer	min ⁻¹
1	10 000
2	12 000
3	17 000
4	22 000
5	27 000
6	30 000

011932

⚠️FORSIKTIG:

- Hvis verktøyet brukes lenge og kontinuerlig ved lavt turtall, vil motoren bli overbelastet og slutte å virke som den skal.
- Turtallinnstillingshjulet kan kun dreies til 6 og så tilbake til 1. Ikke prøv å dreie det forbi 6 eller 1, ellers kan det hende at turtallinnstillingen slutter å virke.

MONTERING

⚠️FORSIKTIG:

- Forviss deg alltid om at maskinen er slått av og støpselet trukket ut av kontakten før du utfører noe arbeid på maskinen.

Montere eller demontere tilskjæringsbits

Fig.4

Fig.5

⚠️FORSIKTIG:

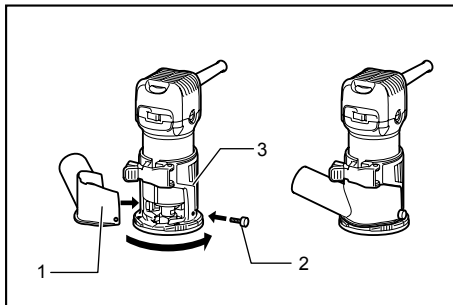
- Ikke stram kjoksmutterne uten å sette inn et bits, ellers vil patronkonusen ødelegges.
- Bruk bare de skrunøklene som fulgte med verktøyet.

Sett inn bitsen helt inn i patronkonusen og stram kjoksmutteren godt med de to skrunøklene eller ved å trykke på spindellåsen og bruke den medfølgende nøkkelen.

Ta ut bitset ved å følge monteringsprosedyren i motsatt rekkefølge.

BRUK

For skjærefoten



1. Støvmunnstykke

2. Fingerskrue

3. Skjærefoten

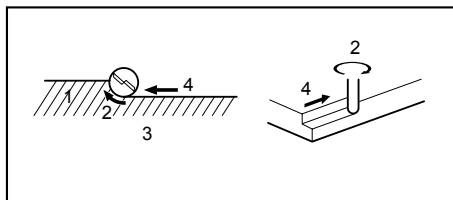
011989

⚠️ADVARSEL:

- Sett alltid støvdysen på skjærefoten før du bruker verktøyet med skjærefoten.

Sett verktøyet på det arbeidsemnet som skal freses uten at bitset kommer borti arbeidsemnet. Slå på maskinen og vent til bitset oppnår full hastighet. Beveg verktøyet fremover over overflaten på arbeidsemnet, hold verktøyet tett inntil og beveg den jevnt fremover til skjæringen er fullført.

Ved kantfresing må overflaten på arbeidsemnet være på venstre side av bitset i arbeidsretningen.



1. Arbeidsemne

2. Bitsrotasjonsretning

3. Sett ovenfra (fra toppen av verktøyet)

4. Materetning

001984

MERK:

- Beveger du verktøyet forover for raskt, kan det resultere i dårlig skjærekvalitet eller skader på bitset eller motoren. Hvis verktøyet beveges for sakte, kan du brenne eller skade kuttet. Riktig hastighet avhenger av størrelsen på bitset, typen arbeidsemne og fresedybden. Før du starter skjæringen i det aktuelle arbeidsemnet, råder vi deg til å foreta en prøveskjæring på et stykke kapp. Dette vil vise nøyaktig hvordan kuttet kommer til å se ut og gjør det mulig for deg å sjekke målene.
- Når du bruker skjæreskoen, den rette føringen eller skjæreføringen, må du forsikre deg om at de er på

riktig side i materetningen. Dette vil hjelpe deg å holde den i flukt med siden på arbeidsemnet.

Fig.6

⚠️ FORSIKTIG:

- Siden overdreven skjæring kan overbelaste motoren eller skape vanskeligheter med å kontrollere verktøyet, må ikke skjæredybden være mer enn 3 mm på det dypeste når du skjærer spor. Hvis du ønsker å frese sporene dypere enn 3 mm, må du foreta flere skjæringer med gradvis dypere innstillinger.

Malføring (valgfritt tilbehør)

Fig.7

Malføringen har en hylse som bitset går igjennom. Dette gjør det mulig å bruke tilskjæringsmaskinen med malmønster.

Løsne skruene og ta av fotbeskyttelsen. Plasser malføringen på foten og bytt fotbeskyttelsen. Sikre fotbeskyttelsen ved å stramme skruene.

Fig.8

Fest malen på arbeidsemnet. Plasser verktøyet på malen og skyv verktøyet med malføringen langs siden på malen.

Fig.9

MERK:

- Arbeidsemnet skjæres i litt forskjellig størrelse i forhold til malen. Tillat avstand (X) mellom ramme-fresen og utsiden av malføringen. Avstanden (X) kan kalkuleres med følgende ligning:

Avstand (X) = (utvendig diameter på malføringen - ramme-fresediameter) / 2

Rettt føring (valgfritt tilbehør)

Fig.10

Den rette føringen brukes for rette kutt ved skråfasing og sporfresing.

Fig.11

Fest føringsplaten på den rette føringen med skruen og vingemutteren.

Fig.12

Fest den rette føringen med klemskruen (A). Løsne vingemutteren på den rette føringen og juster avstanden mellom borspissen og føringen. Stram vingemutteren godt i ønsket avstand.

Når du skjærer, må du bevege verktøyet med den rette føringen i flukt med siden på arbeidsemnet.

Hvis avstanden (A) mellom siden på arbeidsemnet og skjæreposisjonen er for bred for den rette føringen, eller hvis arbeidsemnet ikke er rett, kan ikke denne føringen brukes. I slike tilfeller, må du klemme fast en rett planke til arbeidsemnet og bruke denne som føring mot foten på tilskjæringsmaskinen. Beveg verktøyet i pilretningen.

Fig.13

Sirkelarbeid

Fig.14

Sirkelarbeid kan utføres hvis du setter sammen den rette føringen og føringsplaten som vist i figurene.

Min. og maks. radius for sirkelene som skal skjæres (avstand mellom senter i sirkelen og senter på bitset) er som følger:

Min.: 70 mm

Maks.: 221 mm

For å skjære sirkler mellom 70 mm og 121 mm i radius.

For å skjære sirkler mellom 121 mm og 221 mm i radius.

Fig.15

MERK:

- Sirkler mellom 172 mm og 186 mm i radius kan ikke skjæres ved hjelp av denne føringen.

Fig.16

Rettt inn senterhullet i den rette føringen mot senteret i sirkelen som skal skjæres. Slå en spiker på under 6 mm diameter inn i senterhullet for å sikre føringen. Drei verktøyet rundt spikeren med klokken.

Trimmeveiledning (tilleggsutstyr)

Fig.17

Pussing, bueskjæring i finer og lignende er lett med skjæreføringen. Føringsrullen holder kurven og sikrer et fint kutt.

Fig.18

Monter skjæreføringen på verktøytøten med klemskruen (A). Løsne klemskruen (B) og juster avstanden mellom bitset og skjæreføringen ved å dreie på justeringsskruen (1 mm per dreining). Ved ønsket avstand, må du stramme klemskruen (B) for å feste skjæreføringen på plass.

Fig.19

Når du skjærer, må du bevege verktøyet med føringsrullen langs siden på arbeidsemnet.

Vippefot (valgfritt tilbehør)

Vippefot (valgfritt tilbehør) er nyttig til skråskjæring.

Fig.20

Plasser maskinen på vippefoten og lukk låsespaken når bitsen stikker ut slik du vil. For ønsket vinkel, stram klemskruene på siden av den.

Klem et rett bord fast mot arbeidsemnet og bruk det som føring mot vippefoten. Mat verktøyet i pilens retning.

Fotbeskytter fjernet fra vippefoten (valgfritt tilbehør)

Ved å feste fotbeskytteren som har blitt fjernet fra vippefoten på skjærefoten, er det mulig å endre skjærefoten fra en rund til en firkantet fot.

For annen bruk, fjern fotbeskytteren fra vippefoten ved å løsne og fjerne fire skruer.

Fig.21

Fest deretter fotbeskytteren på skjærefoten.

Forskjøvet fot (tilleggsutstyr)

Fig.22

- (1) En forskjøvet fot (tilleggsutstyr) er nyttig for jobbing i trange områder, som for eksempel et hjørne.

Fig.23

Før du monterer maskinen på den forskjøvede foten, ta løs kjoksmutteren og patronkonusen ved å løsne kjoksmutteren.

Fig.24

Monter trinsen på maskinen ved å trykke på spindellåsen og stramme trinsen godt med en skrunøkkel.

Fig.25

Plasser patronkonusen på plass og skru kjoksmutteren på den forskjøvede foten som vist i figuren.

Fig.26

Monter maskinen på den forskjøvede foten

Fig.27

Plasser den ene enden av båndet over trinsen ved hjelp av en skrutrekker og kontroller at hele båndet passer over hele trinsen.

Fig.28

Fest det med en låsespake på den forskjøvede foten.

Fig.29

For å installere bitsen, plasser maskinen med bakken med den forskjøvede foten til siden. Sett sekskantnøkkelen inn i hullet i foten.

Mens du holder sekskantnøkkelen på plass, sett bitsen inn i patronkonusen på skaffet til den forskjøvede foten fra motsatt side og stram kjoksmutteren godt med en skrunøkkel.

For å fjerne bitsen, følg fremgangsmåten for installering i motsatt rekkefølge.

- (2) Den forskjøvede foten (valgfritt tilbehør) kan også brukes med en skjærefot og håndtaksfeste (valgfritt tilbehør) for mer stabilitet.

Fig.30

Løsne skruene og fjern den øverste delen fra den forskjøvede foten. Sett til siden den øverste delen av den forskjøvede foten.

Fig.31

Fest skjærefoten med fire skruer og håndtaksfestet (valgfritt tilbehør) med to skruer på den forskjøvede fotplaten.

Skru på et stanghåndtak (valgfritt tilbehør) på håndtaksfestet.

Fig.32

En annen måte du kan bruke det, er ved å bruke kulehåndtaket som fjernes fra en senkefot (valgfritt tilbehør) og som kan monteres på håndtaksfestet. For å installere kulehåndtaket, plasser det på håndtaksfestet og skru det fast med en skru.

Fig.33

Ved bruk som en freser bare med en senkefot (tilleggsutstyr)

⚠️FORSIKTIG:

- Ved bruk som en freser, hold verktøyet godt med begge hender.

Fig.34

For å bruke maskinen som en freser, monter verktøyet på en senkefot (tilleggsutstyr) ved å trykke det helt ned. Enten kule- eller stanghåndtaket (valgfritt tilbehør) kan brukes avhengig av jobben.

Fig.35

For å bruke stanghåndtaket (valgfritt tilbehør), løsne skruen og fjern kulehåndtaket.

Fig.36

Skru deretter stanghåndtaket på foten.

Justerings av dybden ved bruk av senkefoten (valgfritt tilbehør)

Fig.37

Plasser verktøyet på et flatt underlag. Løsne låsehendelen og senk verktøykroppen til bitset såvidt berører den flate overflaten. Stram låsehendelen for å låse verktøykroppen.

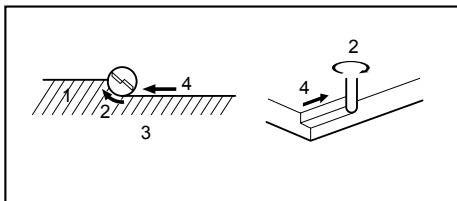
Drei innstillingsskruen for stopperstangen mot klokken. Senk stopperstangen til den berører justeringsskruen. Plasser dybdepilen på linje med "0"-delestreken. Skjæredybden vises på skalaen ved hjelp av dybdepilen. Mens du trykker på hurtigmatingsknappen, må du heve stopperstangen, til du har oppnådd den ønskede skjæredybden. Du kan justere dybden i svært små trinn ved å dreie på justeringsknappen (1 mm per omdreining). Ved å dreie innstillingsskruen for stopperstangen med klokken kan du feste stopperstangen godt.

Nå kan du oppnå din forhåndsbestemte skjæredybde ved å løsne låsehendelen og deretter senke verktøykroppen, inntil stopperstangen berører justerings-sekskantskruen til stopperblokken.

Du må alltid ha et godt grep på verktøyet med begge hender mens du bruker det.

Sett verktøyfoten på det arbeidsemnet som skal freses uten at bitset kommer borti arbeidsemnet. Slå på maskinen og vent til bitset oppnår full hastighet. Senk verktøykroppen og beveg verktøyet over overflaten på arbeidsemnet, hold verktøyfoten i flukt og beveg den jevnt fremover til fresingen er fullført.

Ved kantfresing må overflaten på arbeidsemnet være på venstre side av bitset i arbeidsretningen.



1. Arbeidsemne
2. Bitsrotasjonsretning
3. Sett ovenfra (fra toppen av verktøyet)
4. Materetning

001984

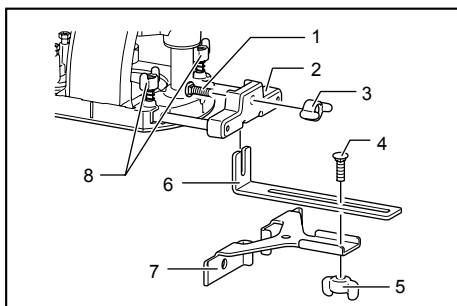
MERK:

- Beveger du verktøyet forover for raskt, kan det resultere i dårlig skjærekvalitet eller skader på bitset eller motoren. Hvis verktøyet bevegtes for sakte, kan du brenne eller skade kuttet. Riktig hastighet avhenger av størrelsen på bitset, typen arbeidsemne og fresedybden. Før du starter skjæringen i det aktuelle arbeidsemnet, råder vi deg til å foreta en prøveskjæring på et stykke kapp. Dette vil vise nøyaktig hvordan kuttet kommer til å se ut og gjør det mulig for deg å sjekke målene.
- Når du bruker den rette føringen, må du forsikre deg om at den monteres på høyre side i bevegelsesretningen. Dette vil hjelpe deg å holde den i flukt med siden på arbeidsemnet.

Fig.38

Føringsskinne ved bruk som en freser (nødvendig for bruk med en skinneholder (tilleggsutstyr))

Den rette føringen brukes for rette kutt ved skråfasing og sporfresing.



1. Skruer
2. Føringsskinne
3. Vingemutter
4. Skruer
5. Vingemutter
6. Føringsskinne
7. Rett føring
8. Vingebolter

011988

Monter føringsskinne på skinneholderen (valgfritt tilbehør) med vingemutteren.

Sett skinneholderen inn i hullene i senkefoten, og stram vingeboltene. For å justere avstanden mellom bitset og føringsskinne, løsne vingemutteren. Når avstanden er slik du vil ha den, må du stramme vingemutteren for å feste føringsskinne på riktig sted.

Retten føring (valgfritt tilbehør)

Fig.39

Den rette føringen brukes for rette kutt ved skråfasing og sporfresing.

Fig.40

For å montere føringsskinne, sett inn føringsskengene inn i hullene i senkefoten. Juster avstanden mellom bitset og føringsskinne. Når avstanden er slik du vil ha den, må du stramme vingeboltene for å feste føringsskinne på riktig sted.

Når du skjærer, må du bevege verktøyet med den rette føringen i flukt med siden på arbeidsemnet.

Fig.41

Hvis avstanden (A) mellom siden på arbeidsemnet og skjæreposisjonen er for bred for den rette føringen, eller hvis arbeidsemnet ikke er rett, kan ikke denne føringen brukes. I slike tilfeller må du klemme fast en rett planke til arbeidsemnet og bruke denne som føring mot foten på freseren. Beveg verktøyet i pilretningen.

Malføring (valgfritt tilbehør)

Fig.42

Malføringen har en hylse som bitset går igjennom. Dette gjør det mulig å bruke sporfreseren med malmønster. For å montere malføringen, må du løsne skruene på verktøyfoten, sette inn føringen og stramme skruene.

Fig.43

Fest malen på arbeidsemnet. Plasser verktøyet på malen og skyv verktøyet med malføringen langs siden på malen.

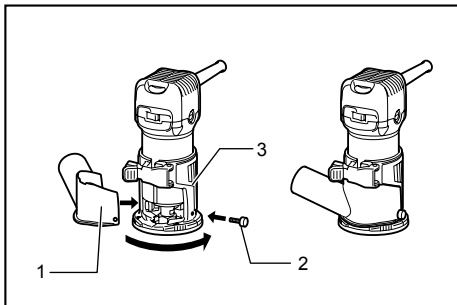
Fig.44

MERK:

- Arbeidsemnet skjæres i litt forskjellig størrelse i forhold til malen. Tillat avstand (X) mellom bitset og utsiden av malføringen. Avstanden (X) kan kalkuleres med følgende ligning:

$$\text{Avstand (X)} = (\text{utvendig diameter på malføringen} - \text{bitsdiameter}) / 2$$

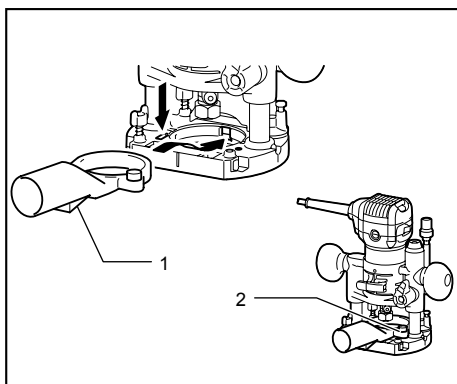
Støvdysesett For skjærefoten



1. Støvmunnstykke
2. Fingerskrue
3. Skjærefoten

011989

For senkefoten (tilleggsutstyr)



1. Støvmunnstykke
2. Fingerskrue

011853

Bruk støvdysen til støvsuging. Monter støvdysen på verktøyfoten, slik at fremspringet på støvdysen passer i hakket i verktøyfoten.

Koble så en støvsuger til støvdysen.

Fig.45

VEDLIKEHOLD

⚠ FORSIKTIG:

- Forviss deg alltid om at maskinen er slått av og støpselet trukket ut av kontakten før du foretar inspeksjon eller vedlikehold.
- Aldri bruk gasolin, bensin, tynner alkohol eller lignende. Det kan føre til misfarging, deformering eller sprekkdannelse.

Skifte kullbørster

Fig.46

Fjern og kontroller kullbørstene med jevne mellomrom. Skift dem når de er slitt ned til utskiftingsmerket. Hold kullbørstene rene og fri til å bevege seg i holderne. Begge kullbørstene må skiftes samtidig. Bruk bare identiske kullbørster.

Fig.47

Bruk en skrutrekker til å fjerne børsteholderhettene. Ta ut de slitte kullbørstene, sett i nye, og fest børsteholderhettene.

For å opprettholde produktets SIKKERHET og PÅLITELIGHET, må reparasjoner, vedlikehold og justeringer utføres av Makitas autoriserte servicesentre, og det må alltid brukes reservedeler fra Makita.

VALGFRITT TILBEHØR

⚠ FORSIKTIG:

- Det anbefales at du bruker dette tilbehøret eller verktøyet sammen med den Makita-maskinen som er spesifisert i denne håndboken. Bruk av annet tilbehør eller verktøy kan forårsake helseskader. Tilbehør og verktøy må kun brukes til det formålet det er beregnet på.

Ta kontakt med ditt lokale Makita-servicesenter hvis du trenger mer informasjon om dette tilbehøret.

- Rette og sporførmede bits
- Kantformende bits
- Laminatskjærebiter
- Enhet for rett føring
- Skjæreføringseenhet
- Verktøyfotenhet
- Vippefotenhet
- Senkefotenhet
- Enhet for forskjøvet fot
- Malføring
- Patronkonus 6 mm
- Patronkonus 6,35 mm (1/4")
- Patronkonus 8 mm
- Patronkonus 9,53 mm (3/8")
- Skrunøkkel 13
- Skrunøkkel 22

Tilskjæringsmaskinbits

Rett bits

Fig.48

	D	A	mm		
			L 1	L 2	
20	6	20	50	15	
20E	1/4"		8	60	25
8	8	8		50	18
8	6		6	50	18
8E	1/4"	6		50	18
6	6			50	18
6E	1/4"	6	50	18	

011929

"U"-sporbits

Fig.49

mm					
	D	A	L 1	L 2	R
6	6	6	60	28	3
6E	1/4"				

006486

"V"-sporbits

Fig.50

mm				
D	A	L 1	L 2	θ
1/4"	20	50	15	90°

006454

Utjevningsskjærbits for borspiss

Fig.51

mm					
	D	A	L 1	L 2	L 3
8	8	8	60	20	35
6	6	6	60	18	28
6E	1/4"				

011930

Dobbelt utjevningsskjærbits for borspiss

Fig.52

mm						
	D	A	L 1	L 2	L 3	L 4
8	8	8	80	95	20	25
6	6	6	70	40	12	14
6E	1/4"					

011931

Hjørnefresbits

Fig.53

mm							
	D	A 1	A 2	L 1	L 2	L 3	R
8R	6	25	9	48	13	5	8
8RE	1/4"						
4R	6	20	8	45	10	4	4
4RE	1/4"						

006489

Skråfasebits

Fig.54

mm						
D	A	L 1	L 2	L 3	θ	
6	23	46	11	6	30°	
6	20	50	13	5	45°	
6	20	49	14	2	60°	

006462

Rund pregingsbits

Fig.55

mm				
D	A	L 1	L 2	R
6	20	43	8	4
6	25	48	13	8

006464

Utjevningsskjærbits for kulelager

Fig.56

mm			
D	A	L 1	L 2
6	10	50	20
1/4"			

006465

Hjørnefresbits for kulelager

Fig.57

mm						
D	A 1	A 2	L 1	L 2	L 3	R
6	15	8	37	7	3,5	3
6	21	8	40	10	3,5	6
1/4"	21	8	40	10	3,5	6

006466

Skråfasebits for kulelager

Fig.58

mm					
D	A 1	A 2	L 1	L 2	θ
6	26	8	42	12	45°
1/4"					
6	20	8	41	11	60°

006467

Pregingsbits for kulelager

Fig.59

mm							
D	A 1	A 2	A 3	L 1	L 2	L 3	R
6	20	12	8	40	10	5,5	4
6	26	12	8	42	12	4,5	7

006468

Rundt pregingsbits for kulelager

Fig.60

mm									
D	A 1	A 2	A 3	A 4	L 1	L 2	L 3	R	
6	20	18	12	8	40	10	5,5	3	
6	26	22	12	8	42	12	5	5	

006469

Romersk karniss-bits for kulelager

Fig.61

mm							
D	A 1	A 2	L 1	L 2	L 3	R1	R2
6	20	8	40	10	4,5	2,5	4,5
6	26	8	42	12	4,5	3	6

006470

MERK:

- Enkelte elementer i listen kan være inkludert som standardtilbehør i verktøypakken. Elementene kan variere fra land til land.

SUOMI (alkuperäiset ohjeet)

Yleisselostus

1-1. Terän työntymä	14-4. Keskiaukko	31-3. Epäkeskopohjalevy
1-2. Työkalan pohja	14-5. Pultti	31-4. Jyrsinpohjanlaite (lisävaruste)
1-3. Asteikko	15-1. Siipimutteri	32-1. Ruuvi
1-4. Lukitusvipu	15-2. Ohjauslevy	32-2. Nuppityyppinen kahva
1-5. Säättöruuvi	15-3. Suora ohjain	32-3. Epäkeskopohjalevy
1-6. Kuusiomutteri	15-4. Keskiaukko	34-1. Yläjyrsinpohja
2-1. Kytkin	15-5. Pultti	34-2. Kahva
2-2. OFF (O) -puoli	16-1. Naula	35-1. Ruuvi
2-3. ON (I) -puoli	16-2. Keskiaukko	35-2. Nuppi
3-1. Nopeudensäättöpyörä	16-3. Suora ohjain	36-1. Tankotyyppinen kahva (lisävaruste)
4-1. Kiristä	18-1. Puristusruuvi (A)	37-1. Säättönuppi
4-2. Löysää	18-2. Säättöruuvi	37-2. Lukitusvipu
4-3. Pidä	18-3. Puristusruuvi (B)	37-3. Syvyydenosoitin
5-1. Kiristä	18-4. Jyrsinohjain	37-4. Pysäytinnävän asetusmutteri
5-2. Löysää	19-1. Työkappale	37-5. Pikasyöttönappi
5-3. Karalukitus	19-2. Kärki	37-6. Pysäytinnäpa
6-1. Syöttösuunta	19-3. Telaohjain	37-7. Pysäytinlohko
6-2. Terän kiertosuunta	20-1. Kiristysruuvit	37-8. Säättöpultti
6-3. Työkappale	21-1. Pohjan suojain	38-1. Syöttösuunta
6-4. Suora ohjain	21-2. Ruuvi	38-2. Terän kiertosuunta
8-1. Pohjan suojain	23-1. Väkipyörä	38-3. Työkappale
8-2. Ruuvit	23-2. Kiristysholkin mutteri	38-4. Suora ohjain
8-3. Ruuvitaltta	23-3. Kiristysholkki	40-1. Ohjaustanko
9-1. Suora terä	24-1. Kiintoavain	40-2. Siipipultti
9-2. Pohja	24-2. Väkipyörä	40-3. Suora ohjain
9-3. Mallilankku	24-3. Karalukitus	43-1. Ruuvi
9-4. Etäisyys (X)	25-1. Kiristysholkin mutteri	43-2. Pohja
9-5. Työkappale	25-2. Kiristysholkki	43-3. Mallilankku
9-6. Mallilankun ohjain 10	27-1. Väkipyörä	44-1. Kärki
9-7. Pohjan suojain	27-2. Vyö	44-2. Pohja
11-1. Pultti	28-1. Lukitusvipu	44-3. Mallilankku
11-2. Ohjauslevy	28-2. Epäkeskopohja	44-4. Työkappale
11-3. Suora ohjain	29-1. Kiintoavain	44-5. Etäisyys (X)
11-4. Siipimutteri	29-2. Kuusioavain	44-6. Mallilankun ohjaimen ulkohalkaisija
12-1. Puristusruuvi (A)	29-3. Kärki	44-7. Mallilankun ohjain
12-2. Suora ohjain	30-1. Ruuvit	46-1. Rajamerkki
12-3. Siipimutteri	30-2. Epäkeskopohjalevy	47-1. Ruuvitaltta
12-4. Pohja	30-3. Epäkeskopohjan yläosa	47-2. Harjanpitimen kansi
14-1. Siipimutteri	31-1. Tankotyyppinen kahva (lisävaruste)	
14-2. Ohjauslevy	31-2. Kahvakiinnike (lisävaruste)	
14-3. Suora ohjain		

TEKNISET TIEDOT

Malli	RT0700C
Kiristysistukan kapasiteetti	6 mm, 8 mm, 1/4" tai 3/8"
Tyhjäkäyntinopeus (min ⁻¹)	10 000 - 30 000
Kokonaispituus	200 mm
Nettopaino	1,8 kg
Turvaluokitus	II

• Jatkuvan tutkimus- ja kehitysohjelman vuoksi pidätämme oikeuden muuttaa tässä mainittuja teknisiä ominaisuuksia ilman ennakkoilmoitusta.

• Tekniset ominaisuudet saattavat vaihdella eri maissa.

• Paino EPTA-menetelmän 01/2003 mukaan

ENE010-1

Käyttötarkoitus

Työkalu on tarkoitettu puun, muovin ja vastaavien materiaalien viimeistelysahaukseen ja profilointiin.

ENF002-1

Virransyöttö

Laitteen saa kytkeä ainoastaan virtalähteeseen, jonka jännite on sama kuin tyyppikilvessä ilmoitettu. Laitetta voidaan käyttää ainoastaan yksivaiheisella vaihtovirralla. Laitte on kaksinkertaisesti suojaeristetty eurooppalaisten standardien mukaisesti, ja se voidaan tästä syystä liittää maadoittamattomaan pistorasiaan.

ENG905-1

Melutaso

Tyypillinen A-painotettu melutaso määräytyy EN60745-standardin mukaan:

Äänenpainetaso (L_{pA}): 82 dB(A)

Äänen tehotaso (L_{WA}): 93 dB(A)

Virhemarginaali (K): 3 dB(A)

Käytä kuulosuojaimia

ENG900-1

Tärinä

Värähtelyn kokonaisarvo (kolmiakselivektorin summa) on määritelty EN60745mukaan:

Työtöila: käyttö ilman kuormaa

Tärinäpäästö (a_n): enintään 2,5 m/s²

Virhemarginaali (K) : 1,5 m/s²

Työtöila: urien leikkaaminen MDF-levyyen.

Värähtelynpäästö (a_n) : 3,5 m/s²

Epävakaas (K) : 1,5 m/s²

ENG901-1

- Ilmoitettu tärinäpäästöarvo on mitattu standarditestausmenetelmän mukaisesti, ja sen avulla voidaan vertailla työkaluja keskenään.
- Ilmoitettua tärinäpäästöarvoa voidaan käyttää myös altistumisen alustavaan arviointiin.

- Selvitä käyttäjän suojaamiseksi tarvittavat varoimet todellisissa käyttöolosuhteissa tapahtuvan arvioidun altistumisen mukaisesti (ottaen huomioon käyttöjakso kokonaisuudessaan, myös jaksot, joiden aikana työkalu on sammutettuna tai käy tyhjäkäynnillä).

ENH101-14

Koskee vain Euroopan maita

VAKUUTUS EC-VASTAAVUUDESTA

Vastuullinen valmistaja Makita Corporation ilmoittaa vastaavansa siitä, että seuraava(t) Makitan valmistama(t) kone(et):

Koneen tunnistetiedot:

Jyrsin

Mallinro/Tyyppi: RT0700C

ovat sarjavalmisteisia ja

täyttävät seuraavien eurooppalaisten direktiivien vaatimukset:

2006/42/EC

ja että ne on valmistettu seuraavien standardien tai standardoitujen asiakirjojen mukaisesti:

EN60745

Teknisen dokumentaation ylläpidosta vastaa valtuutettu Euroopan-edustajamme, jonka yhteystiedot ovat:

Makita International Europe Ltd.

Michigan Drive, Tongwell,

Milton Keynes, MK15 8JD, England

14.10.2010



Tomoyasu Kato

Johtaja

Makita Corporation

3-11-8, Sumiyoshi-cho,

Anjo, Aichi, JAPAN

000230

⚠VAROITUS:

- Työkalun käytön aikana mitattu todellinen tärinäpäästöarvo voi poiketa ilmoitetusta tärinäpäästöarvosta työkalun käyttötavan mukaan.

Sähkötyökalujen käyttöä koskevat varoitukset

⚠ VAROITUS Lue kaikki turvallisuusvaroitukset ja käyttöohjeet. Varoitusten ja ohjeiden noudattamatta jättäminen voi johtaa sähköiskuun, tulipaloon ja/tai vakavaan vammautumiseen.

Säilytä varoitukset ja ohjeet tulevaa käyttöä varten.

GEB019-4

LEIKKURIN TURVALLISUUSOHJEET

1. Pitele sähkötyökalua sen eristetyistä tartuntapinnoista, sillä leikkuri voi osua omaan virtajohtoonsa. Osuminen jännitteeseen johtoon saa sähkötyökalun paljaat metalliosat jännitteisiksi ja aiheuttaa käyttäjälle sähköiskun.
2. Kiinnitä ja tue työkappale tukevalle alustalle puristimilla tai muulla käytännöllisellä tavalla. Työkappaleen piteleminen käsin tai vartaloa vasten ei tue työkappaletta riittävästi ja voi johtaa työkalun hallinnan menettämiseen.
3. Käytä kuulosuojaimia, jos käytät laitetta pitkään yhtäjaksoisesti.
4. Käsittele terä hyvin varovasti.
5. Tarkasta, ettei terässä ole halkeamia, ennen kuin aloitat työskentelyn. Vaihda halkeileva tai muuten vahingoittunut terä heti uuteen.
6. Vältä naulojen sahaamista. Tarkasta työkappale ja poista kaikki naulat ennen työstöä.
7. Pidä työkalua tiukasti.
8. Pidä kädet loitolla pyörivistä osista.
9. Varmista, että terä ei kosketa työkappaletta, ennen kuin kytkin käännetään päälle.
10. Anna koneen käydä jonkin aikaa, ennen kuin alat työstää työkappaletta. Jos terä pyörii epätasaisesti tai täristen, se voi olla väärin asennettu.
11. Ole tarkkaavainen terän pyörimissuunnan ja syötteen suunnan suhteen.
12. Älä jätä konetta käymään itsekseen. Käytä laitetta vain silloin, kun pidät sitä kädessä.
13. Sammuta aina laite ja odota, kunnes terä on täysin pysähtynyt ennen työkalun irrotusta työkappaleesta.
14. Älä kosketa terää välittömästi käytön jälkeen, sillä se saattaa olla erittäin kuuma ja polttaa ihoa.
15. Älä pyyhi laitteen jalustaa tinnerillä, bensiinillä, öljyllä tai vastaavalla. Ne saattavat aiheuttaa halkeamia jalustaan.
16. Käytä teriä, joiden paksuus vastaa työkalun pyörimisnopeutta.

17. Jotkin materiaalit sisältävät kemikaaleja, jotka voivat olla myrkyllisiä. Huolehdi siitä, että pölyn sisäänhengittäminen ja ihokosketus estetään. Noudata materiaalin toimittajan turvaohjeita.
18. Käytä aina työstettävän materiaalin ja käyttötarkoituksen mukaan valittua pölynaamaria/hengityssuojainta.

SÄILYTÄ NÄMÄ OHJEET.

⚠VAROITUS:

ÄLÄ anna työkalun helppokäyttöisyyden tai toistuvan käytön tuudittaa sinua väärään turvallisuuden tunteeseen niin, että laiminlyöt työkalun turvaohjeiden noudattamisen. **VÄÄRINKÄYTTÖ** tai tämän käyttöohjeen turvamääräysten laiminlyönti voi johtaa vakaviin henkilövahinkoihin.

TOIMINTOJEN KUVAUS

⚠️HUOMIO:

- Varmista aina ennen koneen säätöjen ja toiminnallisten tarkistusten tekemistä, että kone on sammutettu ja irrotettu pistorasiasta.

Teräulkoneman säätö

Kuva1

Säädä teräulkonema löysäämällä ensin lukitusvipu ja siirtämällä sitten työkalun pohjaa ylös tai alas säätöruuvia kiertämällä. Kun olet tehnyt säädön, kiinnitä työkalun pohja paikalleen kiristämällä lukitusvipu tiukasti.

HUOMAUTUS:

- Jos työkalu ei lukitu paikalleen, vaikka lukitusvipu on kiristetty, kiristä ensin kuusiomutteri ja kiristä sitten lukitusvipu uudelleen.

Kytkimen käyttäminen

Kuva2

⚠️HUOMIO:

- Ennen työkalun virtaan kytkemistä tarkista aina, että työkalu on pois päältä.

Käynnistä työkalun painamalla kytkinvivun "I (ON) puolta. Pysäytä työkalun painamalla kytkinvivun "O (OFF) puolta.

Sähköinen toiminta

Sähkötoimista työkalua on helppo käyttää seuraavien ominaisuuksien vuoksi.

Vakionopeuden säätö

Sähköinen nopeudensäätö vakionopeuden saavuttamiseksi. Kauniin viimeistelyn saavuttaminen on mahdollista, koska pyörimisnopeutta pidetään vakiona jopa kuormituksen alla.

Pehmeä käynnistys

Pehmeä käynnistys-ominaisuus minimoi käynnistysiskun ja näin työkalu käynnistyy tasaisesti.

Nopeudensäätöpyörä

Kuva3

Työkalun nopeutta voi muuttaa kiertämällä nopeudensäätöpyörän valittuun numeroon välillä 1–6.

Nopeus kasvaa, kun kierrät säätöpyörää numeron 6 suuntaan, ja alenee, kun kierrät säätöpyörää numeron 1 suuntaan.

Nopeus voidaan näin säätää optimaaliseksi käsiteltävän materiaalin ja käytettävän terän halkaisijan mukaan.

Oheisessa taulukossa on esitetty säätöpyörän numeroiden suhde työkalun likimääräisiin käyntinopeuksiin.

Luku	min ⁻¹
1	10 000
2	12 000
3	17 000
4	22 000
5	27 000
6	30 000

011932

⚠️HUOMIO:

- Jos työkalua käytetään jatkuvasti pitkään matalalla nopeudella, moottori ylikuormittuu aiheuttaen työkalun häiriön.
- Nopeudensäätöpyörää voi kääntää vain asentoon 6 ja asentoon 1 saakka. Älä pakota sitä asennon 6 tai 1 ohi, koska nopeudensäätötoiminto saattaa lakata toimimasta.

KOKOONPANO

⚠️HUOMIO:

- Varmista aina ennen koneelle tehtäviä toimenpiteitä, että kone on sammutettu ja irrotettu pistorasiasta.

Jyrsinterän kiinnitys ja irrotus

Kuva4

Kuva5

⚠️HUOMIO:

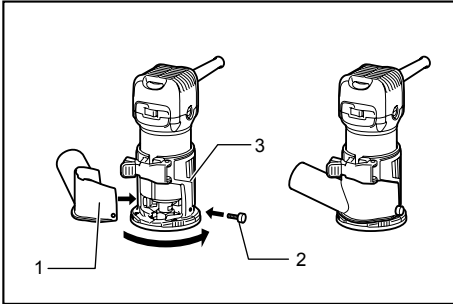
- Älä kiristä kiristysistukan mutteria ilman terän kiinnitystä, tai kiristysholkki rikkoutuu.
- Käytä ainoastaan laitteen mukana toimitettuja kiintoavaimia.

Työnnä terä kokonaan kiristysholkin kartioon ja kierrä kiristysholkin mutteri tiukasti kiinni kahdella kiintoavaimella tai painamalla karalukkoa ja käyttämällä laitteen mukana toimitettua kiintoavainta.

Irrota terä päivävästaisessä järjestyksessä.

TYÖSKENTELY

Jyrsinpohjaa varten



1. Pölysuutin
2. Sormiruuvi
3. Jyrsinpohja

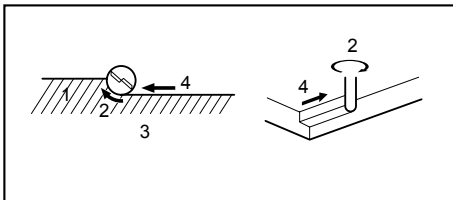
011989

VAROITUS:

- Ennen kuin käytät työkalua jyrsinpohjan kanssa, muista aina kiinnittää pölysuutin jyrsinpohjaan.

Aseta työkalun pohja sahattavan työkappaleen päälle ilman, että terä ottaa työkappaleeseen. Käynnistä sitten työkalu ja odota, kunnes terä pyörii täydellä nopeudella. Liikuta hiomakonetta työkappaleen pinnalla tasaisesti eteenpäin niin, että työkalun pohja upotettuna ja edeten tasaisesti, kunnes leikkaus on valmis.

Kun leikkaat reunoja, työkappaleen pinnan tulisi olla terän syöttösuunnan vasemmalla puolella.



1. Työkappale
2. Terän kiertosuunta
3. Työkalun yläpuolelta katsottuna
4. Syöttösuunta

001984

HUOMAUTUS:

- Työkalun liian nopea liikuttaminen eteenpäin voi aiheuttaa huonolaatuisen leikkauksen, tai vahingoittaa terää tai moottoria. Työkalun liian hidas liikuttaminen eteenpäin voi polttaa ja pilata leikkauksen. Sopiva syöttöaste riippuu terän koosta, työkappaleen tyyppistä ja leikkauksen syvyydestä. Ennen varsinaista työkappaleen työstämistä, on suositeltua tehdä koyleikkaus lankunpalaseen. Tämän avulla näet tarkalleen miltä leikkaus näyttää, sekä voit myös tarkastaa mittasuhteet.
- Kun sovellat jyrsinkenkää, suoraa ohjainta tai jyrsinohjainta, pidä sitä varmasti syöttösuunnan

oikealla puolella. Tämä auttaa pitämään sitä samassa tasossa työkappaleen sivun kanssa.

Kuva6

△HUOMIO:

- Koska liiallinen leikkaus voi ylikuormittaa moottoria tai aiheuttaa työkalun hallinnassa vaikeuksia, leikkauksen syvyys ei saisi olla yli 3 mm leikkauksuuretta läpäisessä. Kun haluat leikata yli 3 mm:siä uurteita, tee monta läpäisyä asteittain syvemmillä teränasetuksilla.

Mallilankun ohjain (vaihtoehtoinen lisävaruste)

Kuva7

Mallilankun ohjain tarjoaa holkin, jonka kautta terä kulkee, salliin jyrsimen käytön mallikaavan mukaan.

Löysennä ruuvit ja poista pohjan suojus. Kiinnitä mallilankun ohjain pohjaan ja vaihda pohjan suojus. Varmista sitten pohjan suojus kiristämällä ruuvit.

Kuva8

Varmista mallilankku työkappaleeseen. Aseta työkalu mallilankun päälle ja liikuta työkalua siten, että mallilankun ohjain liikuu mallilankun sivua pitkin.

Kuva9

HUOMAUTUS:

- Työkappale leikataan hieman eri kokoiseksi, kuin mallilankku. Ota lukuun (X) teräreitittimen ja mallilankun ohjaimen välinen etäisyys. Etäisyys (X) voidaan laskea seuraavaa yhtälöä käyttäen:

Etäisyys (X) = (mallilankun ohjaimen ulkohalkaisija - teräreitittimen halkaisija) / 2

Suoraohjain (vaihtoehtoinen lisävaruste)

Kuva10

Suoraohjainta käytetään tehokkaasti suorien leikkauksien tekoon viistoamisen tai urittamisen tapauksissa.

Kuva11

Kiinnitä ohjauslevy suora-ohjaimen pultilla ja siipimutterilla.

Kuva12

Kiinnitä suoraohjain kiristysruuvilla (A). Löysennä suoraohjaimessa oleva siipimutteri ja säädä terän ja suoraohjaimen välistä etäisyyttä. Saavutettuasi haluttu etäisyys, kiristä siipimutteri lujasti.

Liikuta työkalua leikatessa siten, että suoraohjain on samassa tasossa työkalun sivun kanssa.

Jos työkalun sivun ja leikkauksen välillä oleva etäisyys (A) on suoraohjaimelle liian leveä, tai jos työkappaleen sivu on liian suora, suoraohjainta ei voida käyttää. Tässä tapauksessa kiristä suora lankku työkappaleeseen lujasti ja käytä sitä ohjaimena jyrsinpohjaa vasten. Syötä työkalua suolen osoittamaan suuntaan.

Kuva13

Ympyränmuotoinen työ

Kuva14

Ympyränmuotoinen työ voidaan toteuttaa, jos kokoat suoraohjaimen ja ohjauslevyn kuvan osoittamalla tavalla. Leikattavien ympyröiden min. ja maks. säde (etäisyys ympyrän keskeltä ja terän keskeltä) ovat seuraavat:

Min.: 70 mm

Max.: 221 mm

Säteeltään 70 mm ja 121 mm välisten ympyröiden leikkaamiseksi.

Säteeltään 121 mm ja 221 mm välisten ympyröiden leikkaamiseksi.

Kuva15

HUOMAUTUS:

- Säteeltään 172 mm ja 186 mm välisiä ympyröitä ei voida leikata tätä ohjainta käyttäen.

Kuva16

Rinnasta suoraohjaimessa oleva keskiaukko leikattavan ympyrän keskiosan kanssa. Iske halkaisijaltaan alle 6 mm:nen naula keskiaukkoon suoraohjaimen varmistamiseksi. Käännä työkalu naulan ympäri myötäpäivään.

Jyrsinohjain (vaihtoehtoinen lisävaruste)

Kuva17

Trimmaukset, huonekalujen vanereihin kaarevat leikkauksen ja vastaavat voidaan tehdä helposti jyrsinohjaimella. Ohjaimen tela ajaa kaaria ja takaa hionen leikkauksen.

Kuva18

Asenna jyrsinohjain työkalun pohjaan kiristysruuvilla (A). Löysennä kiristysruuvia (B) ja säädä terän ja jyrsinohjaimen välinen etäisyys kiertämällä säätöruuvia (1 mm per kierros). Saavuttaessasi haluttu etäisyys, kiristä kiristysruuvia (B) varmistaaksesi jyrsinohjain paikoilleen.

Kuva19

Liikuta työkalua leikatessa siten, että ohjaimen tela etenee työkalun sivulla.

Kallistuspohja (lisävaruste)

Kallistuspohja (lisävaruste) helpottaa viisteytysten tekemistä.

Kuva20

Aseta työkalu kallistuspohjaan ja lukitse se paikalleen lukitusvivulla, kun teräulkonema on haluamasi. Kallista työkalu haluamaasi kulmaan ja kiristä sivuilla olevat kiristysruuvit.

Kiinnitä suora lankku tiukasti työkappaleeseen ja käytä sitä ohjaimena kallistuspohjaa vasten. Siirrä työkalua nuolen osoittamaan suuntaan.

Kallistuspohjasta (lisävaruste) irrotettu pohjan suojus

Kallistuspohjasta irrotetun pohjasuojuksen kiinnittäminen jyrsinohjaan mahdollistaa pyöreän jyrsinohjan muuttamisen nelikulmaiseksi pohjaksi.

Irrota pohjan suojus kallistuspohjasta irrottamalla neljä

kiinnitysruuvia.

Kuva21

Asenna pohjan suojus sitten jyrsinohjaan.

Epäkeskopohja (lisävaruste)

Kuva22

- (1) Epäkeskopohja (lisävaruste) on kätevä varuste ahtaissa paikoissa, esimerkiksi kulmissa.

Kuva23

Ennen kuin asennat työkalun epäkeskopohjaan, irrota kiristysistukka löysäämällä istukan mutteri.

Kuva24

Asenna hihnapyörä työkaluun painamalla karalukkoa ja kiristämällä hihnapyörä paikalleen kiintoavaimella.

Kuva25

Aseta kiristysholkki paikalleen ja kierrä kiristysholkin mutteri paikalleen epäkeskopohjaan kuvassa esitetyllä tavalla.

Kuva26

Asenna työkalu epäkeskopohjaan.

Kuva27

Aseta hihnan pää hihnapyörälle ja varmista, että hihna asettuu hihnapyörän päälle koko leveydeltään.

Kuva28

Kiinnitä se paikalleen epäkeskopohjan lukitusvivulla.

Kuva29

Käännä epäkeskopohjaan kiinnitetty työkalu kyljelleen terän asennusta varten. Työnnä kuusiokoloavain epäkeskopohjassa olevaan aukkoon.

Pidä kuusiokoloavainta paikallaan, työnnä terä vastakkaiselta puolelta epäkeskopohjan karassa olevaan kiristysholkkiin ja kiristä kiristysholkki tiukasti kiintoavaimella.

Kun haluat vaihtaa terän, irrota terä päinvastaisessa järjestyksessä.

- (2) Epäkeskopohjaa (lisävaruste) voi käyttää myös jyrsinohjan ja kahvakiinnikkeen (lisävaruste) kanssa, jolloin se mahdollistaa tukevamman otteen.

Kuva30

Löysää ruuvit ja irrota epäkeskopohjan yläosa. Laita epäkeskopohjan yläosa sivuun.

Kuva31

Asenna epäkeskopohjaan jyrsinohja neljällä ruuvilla ja kahvakiinnike (lisävaruste) kahdella ruuvilla.

Ruuvaa tankotyypinen kahva (lisävaruste) kahvakiinnikkeeseen.

Kuva32

Voit kiinnittää kahvakiinnikkeeseen myös yläjyrsinohjasta (lisävaruste) irrotetun nuppityyppisen kahvan. Asenna nuppityyppinen kahva kahvakiinnikkeeseen ja kiristä se paikalleen ruuvilla.

Kuva33

Uran jyrsiminen pelkällä yläjyrsinpohjalla (lisävaruste) varustettuna

⚠HUOMIO:

- Jos käytät laitetta urajyrsimenä, pidä laitteesta tukevasti kiinni kaksi käsin.

Kuva34

Jos haluat käyttää työkalua urajyrsimenä, asenna laite yläjyrsinpohjaan (lisävaruste) painamalla työkalu kokonaan pohjan sisään.

Voit käyttää tarpeen mukaan joko tanko- tai nuppityyppistä kahvaa.

Kuva35

Jos haluat käyttää tankotyyppistä kahvaa, löysää nuppityyppisen kahvan ruuvi ja irrota kahva.

Kuva36

Kierrä sitten tankotyyppinen kahva paikalleen pohjaan.

Jyrsintäsyvyyden säätäminen käytettäessä yläjyrsinpohjaa (lisävaruste)

Kuva37

Aseta työkalu tasaiselle pinnalle. Löysennä lukkoviipu ja alenna työkalun runkoa, kunnes kärki koskettaa tasaista pintaa. Lukitse työkalun runko kiristämällä lukitusvipua. Kierrä pysäytinnavan asetusmutteria vastapäivään. Alenna pysäytinnapaa, kunnes se ottaa kiinni säätöpulttiin. Kohdista syvyydenosoitin asteikon kohtaan "0". Leikkaussyvyys näkyy mitta-asteikolla syvyydenosoittimen osoittamana.

Nosta pysäytinnapaa samalla pikasyöttönappia alas painaen, kunnes haluttu leikkaussyvyys on saavutettu. Tarkat syvyyssäädöt voidaan tehdä kiertämällä pysäytinnapaa (1 mm kierrosta kohti).

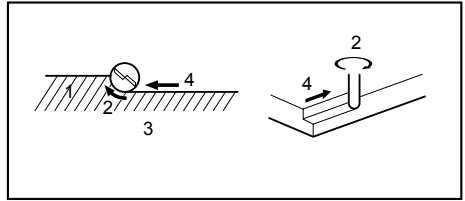
Voit kiinnittää pysäytinnavan tukevasti kiertämällä pysäytinnavan asetusmutteria myötäpäivään.

Leikkauksen ennalta määrätty syvyys voidaan nyt asettaa löysäämällä lukkonuppia ja alentamalla työkalun runkoa, kunnes pysäytinnapa ottaa kiinni pysäytinlohkon säätökuusiopulttiin.

Pidä työkalun käytön aikana aina tukevasti kiinni molemmista kahvoista.

Aseta työkalun alusta leikattavan työkappaleen päälle ilman, että terä ottaa työkappaleeseen. Käynnistä sitten työkalu ja odota, kunnes terä pyörii täydellä nopeudella. Liikuta työkalun runkoa työkappaleen pinnalla tasaisesti eteenpäin niin, että työkalun pohja upotettuna ja edeten tasaisesti, kunnes leikkaus on valmis.

Kun leikkaat reunoja, työkappaleen pinnan tulisi olla terän syöttösuunnan vasemmalla puolella.



1. Työkappale
2. Terän kiertosuunta
3. Työkalun yläpuolelta katsottuna
4. Syöttösuunta

001984

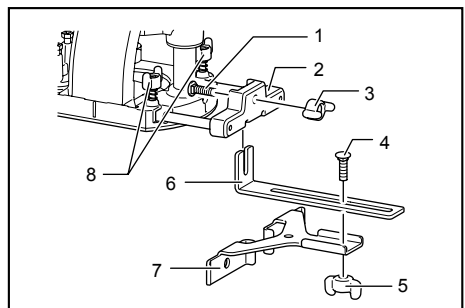
HUOMAUTUS:

- Työkalun liian nopea liikuttaminen eteenpäin voi aiheuttaa huononlaatuisen leikkauksen, tai vahingoittaa terää tai moottoria. Työkalun liian hidas liikuttaminen eteenpäin voi polttaa ja pilata leikkauksen. Sopiva syöttöaste riippuu terän koosta, työkappaleen tyypistä ja leikkauksen syvyydestä. Ennen varsinaista työkappaleen työstämistä, on suositeltua tehdä koeleikkaus lankunpalaseen. Tämän avulla näet tarkalleen millä leikkaus näyttää, sekä voit myös tarkastaa mittasuhteet.
- Kun sovellat suoraa ohjainta, asenna se varmasti syöttösuunnan oikealla puolella. Tämä auttaa pitämään sitä samassa tasossa työkappaleen sivun kanssa.

Kuva38

Suoraohjain urajyrsintää varten (käytettävä ohjainpidikkeen (lisävaruste) kanssa)

Suoraohjainta käytetään tehokkaasti suorien leikkauksien tekoon viistoamisen tai urittamisen tapauksissa.



1. Pultti
2. Ohjaimen pidin
3. Siipimutteri
4. Pultti
5. Siipimutteri
6. Ohjauslevy
7. Suora ohjain
8. Siipipultti

011988

Asenna suoraohjain ohjainpidikkeeseen (lisävaruste) siipimutterilla.

Kiinnitä ohjainpidike yläjyrsin pohjassa oleviin aukkoihin ja kiristä siipipultit. Jos haluat säätää ohjaimen ja terän välistä etäisyyttä, löysää siipimutteri. Kun etäisyys on haluamasi, kiinnitä suoraohjain paikoilleen kiristämällä siipipultit.

Suoraohjain (vaihtoehtoinen lisävaruste)

Kuva39

Suoraohjainta käytetään tehokkaasti suorien leikkauksien tekoon viistoamisen tai urittamisen tapauksissa.

Kuva40

Kun haluat kiinnittää suoraohjaimen, aseta ohjaimen tangot yläjyrsin pohjassa oleviin aukkoihin. Säädä terän ja suoraohjaimen välinen etäisyys. Kun etäisyys on haluamasi, kiinnitä suoraohjain paikoilleen kiristämällä siipipultit.

Liikuta työkalua leikatessa siten, että suoraohjain on samassa tasossa työkalun sivun kanssa.

Kuva41

Jos työkalun sivun ja leikkausasennon välillä oleva etäisyys (A) on suora-ohjaimelle liian leveä, tai jos työkappaleen sivu on liian suora, suora-ohjainta ei voida käyttää. Tässä tapauksessa purista suora lankku työkappaleeseen lujasti ja käytä sitä ohjaimena yläjyrsimen pohjaa vasten. Syötä työkalua nuolen osoittamaan suuntaan.

Mallilankun ohjain (vaihtoehtoinen lisävaruste)

Kuva42

Mallilankun ohjain tarjoaa hylsyn, jonka kautta terä kulkee, sallien työkalun käytön mallikaavan mukaan.

Asennat mallilankun ohjaimen löysäämällä työkalun pohjassa olevia ruuveja, kiinnittämällä mallilankun ohjaimen ja kiristämällä ruuvit.

Kuva43

Varmista mallilankku työkappaleeseen. Aseta työkalu mallilankun päälle ja liikuta työkalua siten, että mallilankun ohjain liukuu mallilankun sivua pitkin.

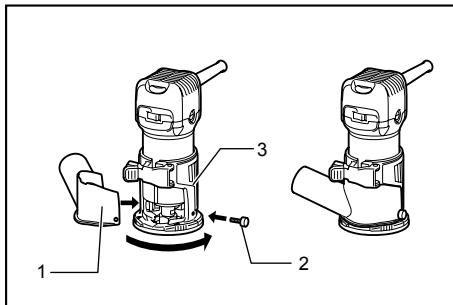
Kuva44

HUOMAUTUS:

- Työkappale leikataan hieman eri kokoiseksi, kuin mallilankku. Ota lukuun (X) terän ja mallilankun ohjaimen välinen etäisyys. Etäisyys (X) voidaan laskea seuraavaa yhtälöä käyttäen:

Etäisyys (X) = (mallilankun ohjaimen ulkohalkaisija - terän halkaisija) / 2

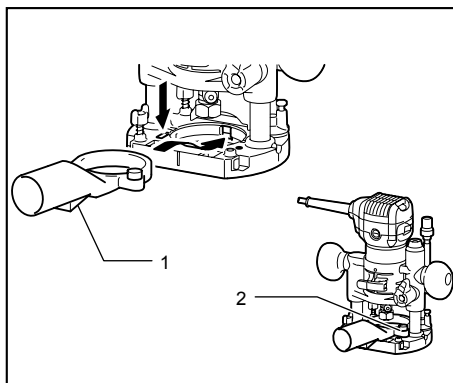
Pölysuutinsarjat Jyrsin pohjaa varten



1. Pölysuutin
2. Sormiruuvi
3. Jyrsin pohja

011859

Yläjyrsin pohjaa (vaihtoehtoinen lisävaruste) varten



1. Pölysuutin
2. Sormiruuvi

011853

Pölysuutinta käytetään pölynpoistoon. Kiinnitä pölysuutin työkalun runkoon siipiruuvilla siten, että suuttimessa oleva kieleke asettuu rungossa olevaan koloon. Kiinnitä sitten pölynimuri pölysuuttimeen.

Kuva45

KUNNOSSAPITO

⚠️HUOMIO:

- Varmista aina ennen tarkastuksia ja huoltotöitä, että laite on kone on sammutettu ja irrotettu virtalähteestä.
- Älä koskaan käytä bensiiniä, ohehtimia, alkoholia tai tms. aineita. Muutoin pinta voi halkeilla tai sen värit ja muoto voivat muuttua.

Hiiliharjojen vaihtaminen

Kuva46

Irrota ja tarkista hiiliharjat säännöllisesti. Vaihda uusiin, kun ne ovat kuluneet rajamerkkiin saakka. Pidä hiiliharjat puhtaina ja vapaina liukumaan pitimissään. Molemmat hiiliharjat on vaihdettava samalla kertaa. Käytä vain keskenään samanlaisia hiiliharjoja.

Kuva47

Irrota hiiliharjat kannet ruuvitaltalla. Poista kuluneet hiiliharjat, aseta uudet harjahiilet paikalleen ja kiinnitä hiiliharjojen kansi paikalleen.

Koneen TURVALLISUUDEN ja LUOTETTAVUUDEN säilyttämiseksi korjaukset sekä muu huoltotoimitus ja säädöt on jätettävä Makitan valtuuttaman huollon tehtäväksi käyttäen aina Makitan alkuperäisiä varaosia.

LISÄVARUSTEET

⚠️HUOMIO:

- Näitä lisävarusteita ja -laitteita suositellaan käytettäväksi tässä ohjekirjassa mainitun Makitan koneen kanssa. Minkä tahansa muun lisävarusteen tai -laitteen käyttäminen voi aiheuttaa loukkaantumisvaaran. Käytä lisävarusteita ja -laitteita vain niiden käyttötarkoituksen mukaisesti.

Jos tarvitset apua tai yksityiskohtaisempia tietoja seuraavista lisävarusteista, ota yhteys paikalliseen Makitan huoltoon.

- Suora- & uramuototerät
- Reunamuototerät
- Levyntrimmaus terät
- Suoraohjainlaite
- Jyrsinohjainlaite
- Jyrsinpohjanlaite
- Kallistusohjainlaite
- Yläjyrsinpohjanlaite
- Epäkeskopohjanlaite
- Mallilankun ohjain
- Kiristysholkki 6 mm
- Kiristysholkki 6,35 mm (1/4")
- Kiristysholkki 8 mm
- Kiristysholkki 9,53 mm (3/8")
- Kiintoavain 13
- Kiintoavain 22

Jyrsinterät

Suora terä

Kuva48

mm				
	D	A	L 1	L 2
20	6	20	50	15
20E	1/4"			
8	8	8	60	25
8	6			
8E	1/4"		50	18
6	6			
6E	1/4"	6	50	18

011929

"U"-uritus terä

Kuva49

mm					
	D	A	L 1	L 2	R
6	6	6	60	28	3
6E	1/4"				

006486

"V"-uritus terä

Kuva50

mm				
D	A	L 1	L 2	θ
1/4"	20	50	15	90°

006454

Porakärjen upottama jyrsinterä

Kuva51

mm					
	D	A	L 1	L 2	L 3
8	8	8	60	20	35
6	6	6	60	18	28
6E	1/4"				

011930

Porakärjen tuplasti upottama jyrsinterä

Kuva52

mm						
	D	A	L 1	L 2	L 3	L 4
8	8	8	80	95	20	25
6	6	6	70	40	12	14
6E	1/4"					

011931

Kulmanpyörästys terä

Kuva53

mm							
	D	A 1	A 2	L 1	L 2	L 3	R
8R	6	25	9	48	13	5	8
8RE	1/4"						
4R	6	20	8	45	10	4	4
4RE	1/4"						

006489

Viistoamisterä

Kuva54

mm					
D	A	L 1	L 2	L 3	θ
6	23	46	11	6	30°
6	20	50	13	5	45°
6	20	49	14	2	60°

006462

Kartiokäyräterä

Kuva55

mm				
D	A	L 1	L 2	R
6	20	43	8	4
6	25	48	13	8

006464

Kuulalaakerin upottava jysinterä

Kuva56

mm			
D	A	L 1	L 2
6	10	50	20
1/4"			

006465

Kuulalaakerinen kulmanpyöristys terä

Kuva57

mm							
D	A 1	A 2	L 1	L 2	L 3	R	
6	15	8	37	7	3,5	3	
6	21	8	40	10	3,5	6	
1/4"	21	8	40	10	3,5	6	

006466

Kuulalaakerinen viistoamisterä

Kuva58

mm					
D	A 1	A 2	L 1	L 2	θ
6	26	8	42	12	45°
1/4"					
6	20	8	41	11	60°

006467

Kuulalaakerinen käyräterä

Kuva59

mm							
D	A 1	A 2	A 3	L 1	L 2	L 3	R
6	20	12	8	40	10	5,5	4
6	26	12	8	42	12	4,5	7

006468

Kuulalaakerinen kartiokäyräterä

Kuva60

mm								
D	A 1	A 2	A 3	A 4	L 1	L 2	L 3	R
6	20	18	12	8	40	10	5,5	3
6	26	22	12	8	42	12	5	5

006469

Kuulalaakerinen suippokaariterä

Kuva61

mm							
D	A 1	A 2	L 1	L 2	L 3	R1	R2
6	20	8	40	10	4,5	2,5	4,5
6	26	8	42	12	4,5	3	6

006470

HUOMAUTUS:

- Jotkin luettelossa mainitut varusteet voivat sisältyä työkalun toimitukseen vakiovarusteina. Ne voivat vaihdella maittain.

LATVIEŠU (oriģinālās instrukcijas)

1-1. Uzgaļa izcilnis
1-2. Darbarīka pamatne
1-3. Skala
1-4. Bloķēšanas svira
1-5. Regulēšanas skrūve
1-6. Seššķautņu uzgrieznis
2-1. Slēdzis
2-2. Puse IZSLĒGT (O)
2-3. Puse IESLĒGT (I)
3-1. Ātruma regulēšanas skala
4-1. Savilkīt
4-2. Atskrūvēt
4-3. Turēt
5-1. Savilkīt
5-2. Atskrūvēt
5-3. Vārpstas bloķētājs
6-1. Padeves virziens
6-2. Uzgaļa griešanās virziens
6-3. Apstrādājamo materiāls
6-4. Taisnā griezuma sliede
8-1. Pamatnes aizsargs
8-2. Skrūves
8-3. Skrūvgriezis
9-1. Taisnā griezuma uzgalis
9-2. Pamatne
9-3. Šablons
9-4. Attālums (X)
9-5. Apstrādājamo materiāls
9-6. Šablona sliede 10
9-7. Pamatnes aizsargs
11-1. Bultskrūve
11-2. Virzošā plāksne
11-3. Taisnā griezuma sliede
11-4. Spārnuzgrieznis
12-1. Spīļējuma skrūve (A)
12-2. Taisnā griezuma sliede
12-3. Spārnuzgrieznis
12-4. Pamatne
14-1. Spārnuzgrieznis
14-2. Virzošā plāksne
14-3. Taisnā griezuma sliede
14-4. Centrālais caurums
14-5. Bultskrūve

Kopskata skaidrojums

15-1. Spārnuzgrieznis
15-2. Virzošā plāksne
15-3. Taisnā griezuma sliede
15-4. Centrālais caurums
15-5. Bultskrūve
16-1. Nagla
16-2. Centrālais caurums
16-3. Taisnā griezuma sliede
18-1. Spīļējuma skrūve (A)
18-2. Regulēšanas skrūve
18-3. Spīļējuma skrūve (B)
18-4. Apgriešanas sliede
19-1. Apstrādājamo materiāls
19-2. Urbis
19-3. Slīdes veltnītis
20-1. Spīļējuma skrūves
21-1. Pamatnes aizsargs
21-2. Skrūve
23-1. Skriemelis
23-2. Ietvara uzgrieznis
23-3. Ietvara konuss
24-1. Uzgriežņu atslēga
24-2. Skriemelis
24-3. Vārpstas bloķētājs
25-1. Ietvara uzgrieznis
25-2. Ietvara konuss
27-1. Skriemelis
27-2. Siksna
28-1. Bloķēšanas svira
28-2. Nobīdes pamatne
29-1. Uzgriežņu atslēga
29-2. Sešstūra atslēga
29-3. Urbis
30-1. Skrūves
30-2. Nobīdes pamatnes plāksne
30-3. Nobīdes pamatnes augšdaļa
31-1. Stieņa tipa rokturis (papildpiederums)
31-2. Papildrokturis (papildpiederums)
31-3. Nobīdes pamatnes plāksne
31-4. Apgriežmašīnas papildpamatnes montējums (papildpiederums)
32-1. Skrūve
32-2. Kloķa tipa rokturis
32-3. Nobīdes pamatnes plāksne
34-1. Piestiprināmā pamatne
34-2. Rokturis
35-1. Skrūve
35-2. Rokturis
36-1. Stieņa tipa rokturis (papildpiederums)
37-1. Regulēšanas rokturis
37-2. Bloķēšanas svira
37-3. Dzīļuma rādītājs
37-4. Aiztura balsta uzstādīšanas uzgrieznis
37-5. Ātrpadevējoga
37-6. Aiztura balsts
37-7. Aiztura bloks
37-8. Regulēšanas bultskrūve
38-1. Padeves virziens
38-2. Uzgaļa griešanās virziens
38-3. Apstrādājamo materiāls
38-4. Taisnā griezuma sliede
40-1. Virzošā sliede
40-2. Spārnskrūve
40-3. Taisnā griezuma sliede
43-1. Skrūve
43-2. Pamatne
43-3. Šablons
44-1. Urbis
44-2. Pamatne
44-3. Šablons
44-4. Apstrādājamo materiāls
44-5. Attālums (X)
44-6. Šablona slīdes ārējais diametrs
44-7. Šablona sliede
46-1. Robežas atzīme
47-1. Skrūvgriezis
47-2. Sukas turekļa vāks

SPECIFIKĀCIJAS

Modelis	RT0700C
Ietvara spīlpatronas jauda	6 mm, 8 mm, 1/4" vai 3/8"
Apgrīzieni minūtē bez slodzes (min ⁻¹)	10 000 - 30 000
Kopējais garums	200 mm
Neto svars	1,8 kg
Drošības klase	II/II

- Dēļ mūsu nepārtrauktās pētniecības un izstrādes programmas, šeit dotās specifikācijas var mainīties bez brīdinājuma.
- Atkarība no valsts specifikācijas var atšķirties.
- Svārs atbilstoši EPTA-Procedure 01/2003

Paredzētā lietošana

Šis darbarīks ir paredzēts koka, plastmasas un līdzīgu materiālu līdzenai apzāģēšanai un profilēšanai.

ENE010-1

ENF002-1

Barošana

Šo instrumentu jāpieslēdz tikai datu plāksnītē uzrādītā sprieguma barošanas avotam; to iespējams darbināt tikai ar vienfāzes maiņstrāvas barošanu. Tiem ir divkārtšā izolācija saskaņā ar Eiropas standartu, tāpēc tos var izmantot bez zemējuma.

ENG905-1

Troksnis

Tipiskais A-svērtais trokšņa līmenis ir noteikts saskaņā ar EN60745:

Skaņas spiediena līmenis (L_{pA}): 82 dB(A)

Skaņas jaudas līmenis (L_{WA}): 93 dB(A)

Mainīgums (K) : 3 dB(A)

Lietojiet ausu aizsargus

ENG900-1

Vibrācija

Vibrācijas kopējā vērtība (trīs asu vektora summa) noteikta saskaņā ar EN60745:

Darba režīms: rotācija bez noslodzes

Vibrācijas izmeši (a_h) : 2,5 m/s² vai mazāk

Neskaidrība (K) : 1,5 m/s²

Darba režīms: dziļu rievu frēzēšana vidēja blīvuma kokšķiedru plātnē (mediopānā)

Vibrācijas emisija (a_h) : 3,5 m/s²

NeNOTEIKTĪBU (K) : 1,5 m/s²

ENG901-1

- Paziņotā vibrācijas emisijas vērtība noteikta atbilstoši standarta pārbaudes metodei un to var izmantot, lai salīdzinātu vienu darbarīku ar citu.
- Paziņoto vibrācijas emisijas vērtību arī var izmantot iedarbības sākotnējā novērtējumā.

⚠ BRĪDINĀJUMS:

- Reāli lietojot mehānizēto darbarīku, vibrācijas emisija var atšķirties no paziņotās emisijas vērtības atkarībā no darbarīka izmantošanas veida.
- Lai aizsargātu lietotāju, nosakiet drošības pasākumus, kas pamatoti ar iedarbību reālos darba

apstākļos (ņemot vērā visus ekspluatācijas cikla posmus, piemēram, laiku, kamēr darbarīks ir izslēgts un kad darbojas tukšgaitā, kā arī palaides laiku).

ENH101-14

Tikai Eiropas valstīm

EK Atbilstības deklarācija

Mēs, uzņēmums „Makita Corporation”, kā atbildīgs ražotājs paziņojam, ka sekojošais/-ie „Makita” darbarīks/-i:

Darbarīka nosaukums:

Apgrīzējmašīna

Modeļa nr./ Veids: RT0700C

ir sērijas ražojums un

atbilst sekojošām Eiropas Direktīvām:

2006/42/EC

Un tas ražots saskaņā ar sekojošiem standartiem vai standartdokumentiem:

EN60745

Tehnisko dokumentāciju uztur mūsu pilnvarots pārstāvis Eiropā -

„Makita International Europe Ltd”,
Michigan Drive, Tongwell,
Milton Keynes, MK15 8JD, Anglija

14.10.2010



000230

Tomoyasu Kato

Direktors

"Makita Corporation"

3-11-8, Sumiyoshi-cho,

Anjo, Aichi, JAPĀNA

GEA010-1

Vispārējie mehānizēto darbarīku drošības brīdinājumi

⚠ **BRĪDINĀJUMS** Izlasiet visus drošības brīdinājumus un visus norādījumus. Brīdinājumu un norādījumu neievērošanas gadījumā var rasties elektriskās strāvas trieciens, ugunsgrēks un/vai nopietnas traumas.

Glabājiet visus brīdinājumus un norādījumus, lai varētu tajos ieskatīties turpmāk.

GEB019-4

DROŠĪBAS NOTEIKUMI GRIEZĒJA LIETOŠANAI

1. Turiet mehanizēto darbarīku aiz izolētajām satveršanas virsmām, jo griezējasmens var saskarties ar savu vadu. Ja sagriež vadu, kurā ir strāva, mehanizētā darbarīka ārējās metāla virsmas var vadīt strāvu un radīt elektriskās strāvas trieciena risku lietotājam.
2. Izmantojiet spaiļes vai kādā citā praktiskā veidā nostipriniet un atbalstiet apstrādājamo materiālu uz stabilas platformas. Turot materiālu ar roku vai pie sava ķermeņa, tas ir nestabilā stāvoklī, un jūs varat zaudēt kontroli pār to.
3. Ilgstoša darba laikā lietojiet ausu aizsargus.
4. Ar uzgaļiem rīkojieties ļoti uzmanīgi.
5. Pirms sākt darbu uzmanīgi pārbaudiet, vai uzgalim nav plaisu vai bojājumu. Ieplaisājušu vai bojātu uzgali nekavējoties nomainiet.
6. Negrieziet naglas. Pirms sākt darbu pārbaudiet, vai apstrādājamā materiālā nav naglas, un tās izņemiet.
7. Turiet darbarīku stingri.
8. Turiet rokas tālu no rotējošām daļām.
9. Pirms slēdža ieslēgšanas pārlicinieties, vai uzgalis nepieskaras apstrādājamam materiālam.
10. Pirms sākt darbarīku lietot ar apstrādājamo materiālu, neilgi darbiniet to bez slodzes. Pievērsiet uzmanību vibrācijai vai svārstībām, jo tas var liecināt par nepareizi uzstādītu uzgali.
11. Pievērsiet uzmanību uzgāja griešanās virzienam un pievades virzienam.
12. Neatstājiet ieslēgtu darbarīku. Darbiniet darbarīku vienīgi tad, ja turat to rokās.
13. Pirms darbarīka izņemšanas no apstrādājamā materiāla vienmēr izslēdziet darbarīku un pagaidiet, kamēr uzgalis pilnībā apstājas.
14. Nepieskarieties uzgalim tūlīt pēc darba veikšanas; tas var būt ļoti karsts un var apdedzināt ādu.
15. Neuzmanības dēļ nenosmērējiet darbarīka pamatu ar šķīdinātāju, benzīnu, eļļu vai līdzīgām vielām. Tas var radīt plaisas darbarīka pamatā.
16. Izmantojiet uzgaļus ar pareizo kājiņas diametru, kas piemērots darbarīka ātrumam.
17. Daži materiāli satur ķīmiskas vielas, kuras var būt toksiskas. Izvairieties no putekļu ieelpošanas un to nokļūšanas uz ādas. Ievērojiet materiāla piegādātāja drošības datus.

18. Vienmēr izmantojiet materiālam un konkrētam gadījumam piemērotu putekļu masku/respiratoru.

SAGLABĀJIET ŠOS NORĀDĪJUMUS.

△BRĪDINĀJUMS:

NEZAUDĒJIET modrību darbarīka lietošanas laikā (tas var gadīties pēc darbarīka daudzkārtējas izmantošanas), rūpīgi ievērojiet urbšanas drošības noteikumus šim izstrādājumam. **NEPAREIZAS LIETOŠANAS** vai šīs rokasgrāmatas drošības noteikumu neievērošanas gadījumā var gūt smagas traumas.

FUNKCIJU APRAKSTS

⚠UZMANĪBU:

- Pirms regulējat vai pārbaudāt instrumenta darbību, vienmēr pārliecinieties, vai instruments ir izslēgts un atvienots no barošanas.

Uzgaļa izciļņa regulēšana

Att.1

Lai noregulētu uzgaļa izcilni, atbrīvojiet aiztura sviru un virziet darbarīka pamatni augšup vai leju atkarībā no vajadzības, griežot regulēšanas skrūvi. Pēc noregulēšanas cieši pievelciet aiztura sviru, lai nostiprinātu darbarīka pamatni.

PIEZĪME:

- Ja darbarīks nav nostiprināts pat tad, ja aiztura svira ir pievilktā, pievelciet seššķautņu uzgriezni un pēc tam pievelciet aiztura sviru.

Slēdža darbība

Att.2

⚠UZMANĪBU:

- Pirms darbarīka pievienošanas barošanas avotam pārbaudiet, vai tas ir izslēgts.

Lai iedarbinātu darbarīku, nospiediet slēdža pusi "ON (I)" (ieslēgts). Lai apturētu darbarīku, nospiediet slēdža pusi "OFF (O)" (izslēgts).

Elektroniskā vadība

Darbarīku, kas aprīkots ar elektroniskām funkcijām, ir viegli ekspluatēt šādu faktoru dēļ.

Konstanta ātruma vadība.

Elektroniska ātruma vadība pastāvīga ātruma nodrošināšanai. Dod iespēju iegūt labi apstrādātu virsmu, jo griešanās ātrums tiek saglabāts nemainīgs pat, ja slodze ir liela.

Laidena ieslēgšana

Laidena ieslēgšana minimizē iedarbināšanas triecienspēku, un darbarīks uzsāk darbību vienmērīgi.

Ātruma regulēšanas skala

Att.3

Lai izmainītu darbarīka ātrumu, regulēšanas ciparripa ir jāuzstāda vienā no stāvokļiem, kuri ir apzīmēti ar cipariem no 1 līdz 6.

Lai palielinātu ātrumu, ciparripa ir jāpagriež cipara 6 virzienā. Lai samazinātu ātrumu, tā ir jāpagriež cipara 1 virzienā.

Tādējādi iespējams izvēlēties vispiemērotāko ātrumu, lai apstrādātu materiālu pēc iespējas labāk, tas ir, ātrumu var noregulēt tā, lai tas atbilstu materiālam un uzgaļa diametram.

Saistību starp cipara iestatījumu uz ciparripas un aptuveno darbarīka griešanās ātrumu skatiet tabulā.

Cipars	min ¹
1	10 000
2	12 000
3	17 000
4	22 000
5	27 000
6	30 000

011932

⚠UZMANĪBU:

- Ja darbarīku regulāri ilgstoši darbināsiet ar mazu ātrumu, dzinējs pārkarstīs, tādējādi sabojājot darbarīku.
- Ātruma regulēšanas skala var tikt griezta tikai no 1 līdz 6. Nemēģiniet ar spēku to pagriezt tālāk, tā varat sabojāt instrumentu.

MONTĀŽA

⚠UZMANĪBU:

- Vienmēr pārliecinieties, vai instruments ir izslēgts un atvienots no barošanas, pirms veicat jebkādas darbības ar instrumentu.

Apgrīzējmašīnas uzgaļa uzstādīšana vai noņemšana

Att.4

Att.5

⚠UZMANĪBU:

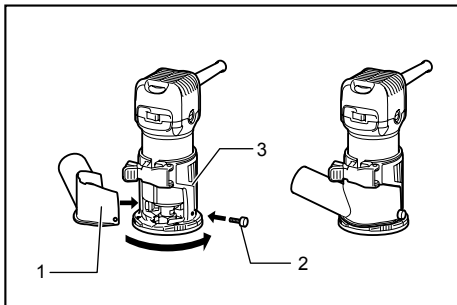
- Nepieskrūvējiet ietvara uzgriezni, ja nav ievietots uzgalis, jo pretējā gadījumā ietvara konuss salūzīs.
- Izmantojiet tikai darbarīkam paredzētās uzgriežņu atslēgas.

Ievietojiet uzgali pilnībā ietvara konusā un cieši pieskrūvējiet ietvara uzgriezni, izmantojot divas uzgriežņatslēgas vai nospiežot vārpstas bloķētāju un izmantojot piegādāto uzgriežņatslēgu.

Lai noņemtu uzgali, izpildiet iepriekš aprakstīto uzstādīšanas procedūru apgrieztā secībā.

EKSPLUATĀCIJA

Apgriežējmašīnas pamatnei



1. Putekļsūcēja uzgalis
2. Spārnskrūve
3. Apgriežējmašīnas pamatne

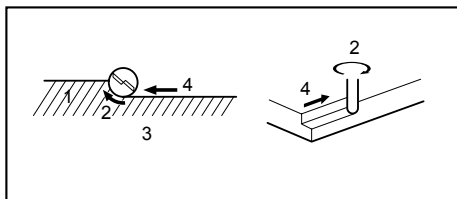
011989

⚠BRĪDINĀJUMS:

- Pirms darbarīka izmantošanas ar apgriežējmašīnas pamatni vienmēr uzstādiệt putekļu izvadcauruli uz apgriežējmašīnas pamatnes.

Uzstādiệt darbarīka pamatni uz apstrādājamā materiāla, lai varētu griezt, uzgalim nepieskaroties. Tad ieslēdzīet darbarīku un nogaidīet, kamēr uzgalis darbojas ar pilnu jaudu. Pārvītojiệt darbarīku uz priekšu virs apstrādājamās daļas virsmas, turot tā pamatni vienā līmenī ar virsmu un lēni virzot to uz priekšu līdz griešanas ir pabeigta.

Apgriežot malas, apstrādājamā materiāla virsmai ir jābūt uzgaļa kreisajā pusē padeves virzienā.



1. Apstrādājamais materiāls
2. Uzgaļa griešanās virziens
3. Skatoties no darbarīka augšpusēs
4. Padeves virziens

001984

PIEZĪME:

- Ja darbarīku virzīsīet uz priekšu pārāk ātri, iegūsīet sliktu griezuma kvalitāti vai sabojāsīet ierīces uzgali vai dzinēju. Ja darbarīku virzīsīet uz priekšu pārāk lēni, sadedzīnāsīet vai sabojāsīet griezumu. Pareizais padeves ātrums ir atkarīgs no uzgaļa izmēra, apstrādājamā materiāla veida un griezuma dziļuma. Pirms uzsākat griezt reālu apstrādājamo materiālu ieteicams veikt parauga griezumu, izmantojot atgriezuma gabalu. Tādējādi būs precīzi redzams, kā griezums izskatīsīes, kā arī būs

iespējams pārbaudīt izmērus.

- Izmantojot apgriešanas kurpi, taisnā griezuma sliedi vai apgriešanas sliedi, nodrošinīet to, lai tā būtu padeves virziena labajā pusē. Tādējādi varēsīet to saglabāt vienā līmenī ar apstrādājamā materiāla malu.

Att.6

⚠UZMANĪBU:

- Tā kā pārmērīgas griešanas rezultātā var izraisīt dzinēja pārslodzi vai darbarīku var būt grūti vadīt, griežot rievās, griešanas dziļums vienā reizē nedrīkst būt lielāks par 3 mm. Ja vēlatīes rievās griezt dziļāk par 3 mm, dariet to vairākas reizes ar arvien lielāka uzgaļa dziļuma uzstādījumiem.

Šablona sliede (papildpiederums)

Att.7

Šablona sliedei ir uzdeva, caur kuru virzās uzgalis, tādējādi apgriežējmašīnu iespējams lietot ar šablona paraugiem.

Atskrūvējiệt skrūves un noņemiệt pamatnes aizsargu. Novītojiệt šablona sliedi uz pamatnes un uzlicīet atpakaļ pamatnes aizsargu. Tad, pieskrūvējot skrūves, nostiprīniệt pamatnes aizsargu.

Att.8

Pie apstrādājamā materiāla piestiprīniệt šablonu. Novītojiệt darbarīku uz šablona un pārvītojiệt to ar šablona sliedi uz priekšu, virzot gar šablona malu.

Att.9

PIEZĪME:

- Apstrādājamais materiāls tiks griezts nedaudz atšķirīgā no šablona izmērā. Pieļaujiệt attālumu (X) starp frēzes uzgali un šablona sliedes ārpusi. Attālumu (X) iespējams aprēķīnāt ar šāda vienādojuma palīdzību:

Attālums (X) = (šablona sliedes ārējais diametrs - frēzes uzgaļa diametrs) / 2

Taisnā griezuma sliede (papildpiederums)

Att.10

Taisnā griezuma sliede ir noderīga taisniem griezumiem, veidojot nošķēlumus vai rievās.

Att.11

Ar bultskrūvi un spārmuzgriezni pieskrūvējiệt virzošo plāksni pie taisnā griezuma sliedes.

Att.12

Ar spīlējuma skrūvi (A) pieskrūvējiệt taisnā griezuma sliedi. Atskrūvējiệt taisnā griezuma sliedes spārmuzgriezni un noregulījiệt attālumu starp uzgali un taisnā griezuma sliedi. Kad vēlamais attālums noregulēts, cieši pieskrūvējiệt spārmuzgriezni.

Veicot griešanas darbu, pārvītojiệt darbarīku, saglabājot taisnā griezuma sliedi vienā līmenī ar apstrādājamā materiāla malu.

Ja attālums (A) starp apstrādājamā materiāla malu un griešanas stāvokli taisna griezuma sliedei ir pārāk liels

vai ja apstrādājamā materiāla mala nav taisna, tad taisnā griezuma sliedi nevar izmantot. Šajā gadījumā pie apstrādājamā materiāla stingri nostipriniet taisnu dēli un izmantojiet to kā sliedi pret apgriezējmašīnas pamatni. Virziet darbarīku bultiņas virzienā.

Att.13

Apļveida griezumš

Att.14

Apļveida greizumu iespējams paveikt, ja taisnā griezuma sliedi un vadošo plāksni uzstādīsiet tā, kā attēlots zīmējumā.

Min. un maks. griežamo apļu rādiuss (attālums starp apļa centru un uzgaļa centru) ir šāds:

Min.: 70 mm

Maks.: 221 mm

Griežot apļus, kuru rādiuss ir robežās no 70 mm līdz 121 mm.

Griežot apļus, kuru rādiuss ir robežās no 121 mm līdz 221 mm.

Att.15

PIEZĪME:

- Ar šo sliedi nav iespējams griezt apļus, kuru rādiuss ir robežās no 172 mm līdz 186 mm.

Att.16

Savietojiet centra caurumu taisnā griezuma sliedē ar griezamā apļa centru. Cauruma centrā ievietojiet naglu, kuras diametrs nepārsniedz 6 mm, lai nodrošinātu taisnu vadību. Grieziet darbarīku apkārt naglai pulksteņrādītāja virzienā.

Ap griešanas sliede (papildpiederums)

Att.17

Ar ap griešanas sliedi iespējams viegli veikt ap griešanu, lokveida griezumš mēbeļu aparē un līdzīgas darbības. Sliedes veltnītis veido loku un nodrošina precīzu griezumš.

Att.18

Ar spīļējuma skrūvi (A) pieskrūvējiet ap griešanas sliedi pie darbarīka pamatnes. Atskrūvējiet spīļējuma skrūvi (B) un noregulējiet attālumu starp uzgali un ap griešanas sliedi, griežot regulēšanas skrūvi (1 mm ap griezienā). Kad vēlams attālums panākts, pieskrūvējiet spīļējuma skrūvi (B), lai nostiprinātu ap griešanas sliedi tai paredzētajā vietā.

Att.19

Veicot griešanas darbu, pārvietojiet darbarīku, virzot sliedes veltnīti gar apstrādājamā materiāla malu.

Slīpā pamatne (papildpiederums)

Slīpā pamatne (papildpiederums) ir parocīga nošķēlumu veidošanai.

Att.20

Novietojiet darbarīku uz slīpās pamatnes un aizveriet aiztura sviru pie uzgaļa vajadzīgā izciļņa. Vēlamajam lenķim pieskrūvējiet spīļējuma skrūves abās pusēs.

Pie apstrādājamā materiāla stingri nostipriniet taisnu dēli un izmantojiet to kā sliedi pret slīpo pamatni. Virziet darbarīku bultiņas virzienā.

Pamatnes aizsargs noņemts no slīpās pamatnes (papildpiederums)

Piestiprinot pamatnes aizsargu, kas noņemts no slīpās pamatnes, pie ap griežējmašīnas pamatnes, iespējams mainīt ap griežējmašīnas pamatni no apaļas uz kvadrātveida.

Lai veiktu citu darbu, noņemiet pamatnes aizsargu no slīpās pamatnes, atskrūvējot un izņemot četras skrūves.

Att.21

Pēc tam piesitpiniet pamatnes aizsargu pie ap griežējmašīnas pamatnes.

Nobīdes pamatne (papildpiederums)

Att.22

- (1) Nobīdes pamatne (papildpiederums) ir parocīga, strādājot šaurās vietās, piemēram, stūros.

Att.23

Pirms darbarīka uzstādīšanas uz nobīdes pamatnes, noņemiet ietvara uzgriezni un ietvara konusu, atskrūvējot ietvara uzgriezni.

Att.24

Uzstādiat skriemeli uz darbarīka, cieši piespiežot vārpstas bloķētāju un ar uzgriežatslēgu cieši pieskrūvējot skriemeli.

Att.25

Uz nobīdes pamatnes novietojiet ietvara konusu un pieskrūvējiet ietvara uzgriezni, kā parādīts attēlā.

Att.26

Piestipriniet darbarīku pie nobīdes pamatnes

Att.27

Izmantojot skrūvgriezi, pārlieciet siksnas galu pāri skriemelim un pārbaudiet, vai viss siksnas platums pilnībā pārklāj skriemeli.

Att.28

Piestipriniet to pie nobīdes pamatnes ar aiztura sviru.

Att.29

Lai uzstādītu uzgali, novietojiet darbarīku ar nobīdes pamatni uz sāniem. Ievietojiet seššķautņu uzgriežņu atslēgu nobīdes pamatnes atverē.

Turot seššķautņu uzgriežņu atslēgu šajā stāvoklī, no otras puses ievietojiet uzgali ietvara konusā, kas atrodas uz nobīdes pamatnes vārpstas, un ar uzgriežatslēgu cieši pieskrūvējiet ietvara uzgriezni.

Lai nomaiņas gadījumā noņemtu uzgali, izpildiet iepriekš aprakstīto uzstādīšanas procedūru apgrieztā secībā.

- (2) Nobīdes pamatni (papildpiederums) var izmantot arī ar ap griežējmašīnas pamatni un papildrokturi (papildpiederums), lai nodrošinātu lielāku stabilitāti.

Att.30

Atskrūvējiet skrūvi un no nobīdes pamatnes noņemiet augšdaļu. Novietojiet malā pamatnes augšdaļu.

Att.31

Pie nobīdes pamatnes plāksnes piestipriniet apgriezējmašīnas pamatni ar četrām skrūvēm un papildrokturi (papildpiederums) ar divām skrūvēm.

Pie papildroktura pieskrūvējiet stieņa tipa rokturi (papildpiederums).

Att.32

Citam lietošanas veidam uz papildroktura var uzstādīt no piestiprināmās pamatnes (papildpiederums) noņemto kloķa tipa rokturi. Lai uzstādītu kloķa tipa rokturi, novietojiet to uz papildroktura un piestipriniet ar skrūvi.

Att.33

Izmantojot kā ierīevju ēveli ar piestiprināmo pamatni (papildpiederums)

⚠UZMANĪBU:

- Darbarīku izmantojot kā ierīevju ēveli, to cieši turiet ar abām rokām.

Att.34

Lai darbarīku izmantotu kā ierīevju ēveli, to piestipriniet pie piestiprināmās pamatnes (papildpiederums), pilnībā nospiežot uz leju.

Atbilstoši jūsu darbam iespējams izmantot kloķa tipa rokturi vai stieņa tipa rokturi (papildpiederums).

Att.35

Lai izmantotu stieņa tipa rokturi (papildpiederums), atskrūvējiet skrūvi un noņemiet kloķa tipa rokturi.

Att.36

Pēc tam pieskrūvējiet stieņa tipa rokturi pie pamatnes.

Griešanas dziļuma noregulēšana, izmantojot piestiprināmo pamatni (papildpiederums)

Att.37

Novietojiet darbarīku uz plakanas virsmas. Atlaidiet bloķēšanas sviru un nolaidiet darbarīka korpusu, līdz uzgalis pieskaras plakanajai virsmai. Nostipriniet bloķēšanas sviru, lai nobloķētu darbarīka korpusu.

Pagrieziet aiztura balsta uzstādīšanas uzgriezni pretēji pulksteņrādītāja virzienam. Nolaidiet aiztura balstu, līdz tas saskaras ar regulēšanas bultskrūvi. Savietojiet dziļuma rādītāju ar iedaļu „0”. Frēzēšanas dziļumu uz skalas parāda dziļuma rādītājs.

Nospiežot ātrpadevējpogu, paceliet aiztura balstu, līdz sasniedzat vēlamo frēzēšanas dziļumu. Ļoti precīzu frēzēšanas dziļumu var noregulēt, pagriežot regulēšanas rokturi (1 mm, ja pagriežat vienreiz).

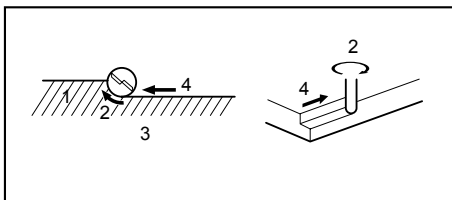
Pagriežot aiztura balsta uzstādīšanas uzgriezni pulksteņrādītāja virzienā, varat stingri pievilkt aiztura balstu.

Tagad iepriekš noteikto frēzēšanas dziļumu var iegūt, atlaižot bloķēšanas sviru un tad nolaižot darbarīka korpusu, līdz aiztura balsts saskaras ar aiztura bloka regulēšanas seššķautņņu bultskrūvi.

Ekspluatācijas laikā vienmēr cieši turiet darbarīku aiz abiem rokturiem.

Uzstādi darbarīka pamatni uz apstrādājamā materiāla, lai varētu griezt, uzgalim nepieskaroties. Tad ieslēdziet darbarīku un nogaidiet, kamēr uzgalis darbojas ar pilnu jaudu. Nolaidiet darbarīka korpusu un pārvietojiet darbarīku uz priekšu virs apstrādājamās daļas virsmas, turot tā pamatni vienā līmenī ar virsmu un lēni virzot to uz priekšu, līdz frēzēšana ir pabeigta.

Apgriežot malas, apstrādājamā materiāla virsmai ir jābūt uzgala kreisajā pusē padeves virzienā.



1. Apstrādājamais materiāls
2. Uzgala griešanās virziens
3. Skatoties no darbarīka augšpusēs
4. Padeves virziens

001984

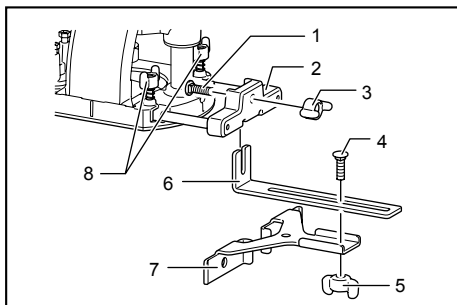
PIEZĪME:

- Ja darbarīku virzīsiet uz priekšu pārāk ātri, iegūsiet sliktu griezuma kvalitāti vai sabojāsi ierīces uzgali vai dzinēju. Ja darbarīku virzīsiet uz priekšu pārāk lēni, sadedzināsi vai sabojāsi griezumu. Pareizais padeves ātrums ir atkarīgs no uzgala izmēra, apstrādājamā materiāla veida un griezuma dziļuma. Pirms uzsākat griezt reālu apstrādājamo materiālu ieteicams veikt parauga griezumu, izmantojot atgriezuma gabalu. Tādējādi būs precīzi redzams, kā griezumam izskatīsies, kā arī būs iespējams pārbaudīt izmērus.
- Izmantojot taisnā griezuma sliedi, uzstādi to tā, lai tā būtu padeves virziena labajā pusē. Tādējādi varēsiet to saglabāt vienā līmenī ar apstrādājamā materiāla malu.

Att.38

Taisnā griezuma sliede, kad izmanto kā ierievju ēveli (jāizmanto kopā ar sliedes turekli (papildpiederums))

Taisnā griezuma sliede ir noderīga taisniem griezumiem, veidojot nošķēlumus vai rievas.



1. Bultskrūve
2. Sliedes tureklis
3. Spārnuzgrieznis
4. Bultskrūve
5. Spārnuzgrieznis
6. Virzošā plāksne
7. Taisnā griezuma sliede
8. Spārnskrūves

011988

Ar spārnuzgriežni pieskrūvējiet taisnā griezuma sliedi uz sliedes turekļa (papildpiederums). Ievietojiet sliedes turekli piestiprināmās pamatnes caurumos un pieskrūvējiet ar spārnskrūvēm. Lai noregulētu attālumu starp uzgali un taisnā griezuma sliedi, atskrūvējiet spārnuzgriežni. Kad vēlamais attālums panākts, pieskrūvējiet spārnuzgriežni, lai nostiprinātu taisnā griezuma sliedi tai paredzētajā vietā.

Taisnā griezuma sliede (papildpiederums)

Att.39

Taisnā griezuma sliede ir noderīga taisniem griezumiem, veidojot nošķēlumus vai rievas.

Att.40

Lai uzstādītu taisnā griezuma sliedi, ievietojiet virzošās sliedes piestiprināmās pamatnes caurumos. Noregulējiet attālumu starp uzgali un taisnā griezuma sliedi. Kad vēlamais attālums panākts, pieskrūvējiet spārnskrūves, lai nostiprinātu taisnā griezuma sliedi vietā.

Veicot griešanas darbu, pārvietojiet darbarīku, saglabājot taisnā griezuma sliedi vienā līmenī ar apstrādājamā materiāla malu.

Att.41

Ja attālums (A) starp apstrādājamā materiāla malu un griešanas stāvokli taisna griezuma slidei ir pārāk liels vai ja apstrādājamā materiāla mala nav taisna, tad taisnā griezuma sliedi nevar izmantot. Šajā gadījumā pie apstrādājamā materiāla stingri nostipriniet taisnu dēli un izmantojiet to kā sliedi pret frēzes pamatni. Virziet darbarīku bultiņas virzienā.

Šablona sliede (papildpiederums)

Att.42

Šablona slidei ir uzdevums, caur kuru virzās uzgālis, tādējādi darbarīku iespējams lietot ar šablona paraugiem. Lai uzstādītu šablona sliedi, atskrūvējiet darbarīka pamatnes skrūves, ievietojiet šablona sliedi un tad pieskrūvējiet skrūves.

Att.43

Pie apstrādājamā materiāla piestipriniet šablonu. Novietojiet darbarīku uz šablona un pārvietojiet to ar šablona sliedi uz priekšu, virzot gar šablona malu.

Att.44

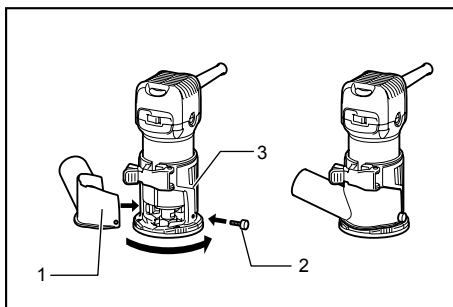
PIEZĪME:

- Apstrādājamais materiāls tiks griezts nedaudz atšķirīgā no šablona izmērā. Pieļaujiet attālumu (X) starp uzgali un šablona sliedes ārpusi. Attālumu (X) iespējams aprēķināt ar šāda vienādojuma palīdzību:

$$\text{Attālums (X)} = (\text{šablona sliedes ārējais diametrs} - \text{uzgāja diametrs}) / 2$$

Putekļu izvadcaurules komplekti

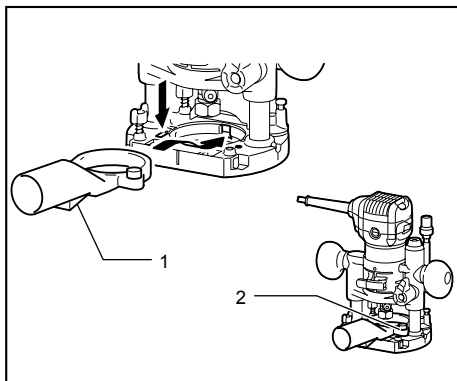
Apgriezējmašīnas pamatne



1. Putekļsūcēja uzgālis
2. Spārnskrūve
3. Apgriezējmašīnas pamatne

011989

Piestiprināmajai pamatnei (papildpiederums)



1. Putekļsūcēja uzgalis

2. Spārnskrūve

011853

Putekļu izvadcauruli izmantojiet putekļu izsūkšanai. Uzstādiet putekļu izvadcauruli uz rīka pamatnes, izmantojot skrūvi, tā, lai putekļu izvadcaurules izvirsījums sakrīt ar robu rīka pamatnē.

Tad pie putekļu izvadcaurules pievienojiet putekļsūcēju.

Att.45

APKOPE

⚠UZMANĪBU:

- Pirms veicat pārbaudi vai apkopi vienmēr pārliedzieties, vai instruments ir izslēgts un atvienots no barošanas.
- Nekad neizmantojiet gāzoliņu, benzīnu, atšķaidītāju, spirtu vai līdzīgus šķidrumus. Tas var radīt izbalēšanu, deformāciju vai plaisas.

Ogles suku nomaiņa

Att.46

Regulāri izņemiet un pārbaudiet ogles suku. Kad ogles suku ir nolietojušās līdz robežas atzīmei, nomainiet tās. Turiet ogles suku tīras un pārbaudiet, vai tās var brīvi ieiet turekļos. Abas ogles suku ir jānomaina vienlaikus. Izmantojiet tikai identiskas ogles suku.

Att.47

Noņemiet suku turekļa vāciņus ar skrūvgrieža palīdzību. Izņemiet nolietojušās ogles suku, ievietojiet jaunas un nostipriniet suku turekļa vāciņus.

Lai saglabātu produkta DROŠU un UZTICAMU darbību, remontdarbus, apkopi un regulēšanu uzticiet veikt tikai Makita pilnvarotam apkopes centram un vienmēr izmantojiet tikai Makita rezerves daļas.

PAPILDU PIEDERUMI

⚠UZMANĪBU:

- Šādi piederumi un rīki tiek ieteikti lietošanai ar šajā pamācībā aprakstīto Makita instrumentu. Jebkādu citu piederumu un rīku izmantošana var radīt traumu briesmas. Piederumu vai rīku izmantojiet tikai tā paredzētajam mērķim.

Ja jums vajadzīga palīdzība vai precīzāka informācija par šiem piederumiem, vērsieties savā tuvākajā Makita apkopes centrā.

- Taisnā griezuma un rievu veidošanas uzgaļi
- Malu veidošanas uzgaļi
- Laminēti apgriešanas uzgaļi
- Taisnā griezuma sliedes montējums
- Apgriešanas sliedes montējums
- Apgriežējmašīnas pamatnes montējums
- Slīpās pamatnes montējums
- Piestiprināmās pamatnes montējums
- Nobīdes pamatnes montējums
- Šablona sliede
- letvara konuss, 6 mm
- letvara konuss, 6,35 mm (1/4 collas)
- letvara konuss, 8 mm
- letvara konuss, 9,53 mm (3/8 collas)
- Uzgriežņu atslēga 13
- Uzgriežņu atslēga 22

Apgriežējmašīnas uzgaļi

Taisnā griezuma uzgalis

Att.48

mm				
	D	A	L 1	L 2
20	6	20	50	15
20E	1/4"			
8	8	8	60	25
8	6			
8E	1/4"		50	18
6	6	6	50	18
6E	1/4"			

011929

"U" veida rievās uzgalis

Att.49

mm					
	D	A	L 1	L 2	R
6	6	6	60	28	3
6E	1/4"				

006486

"V" veida rievās uzgalis

Att.50

mm				
D	A	L 1	L 2	θ
1/4"	20	50	15	90°

006454

Urbja smailes vienlīmeņa apgriešanas uzgalis**Att.51**

mm					
	D	A	L 1	L 2	L 3
8	8	8	60	20	35
6	6	6	60	18	28
6E	1/4"				

011930

Urbja smailes dubultas vienlīmeņa apgriešanas uzgalis**Att.52**

mm						
	D	A	L 1	L 2	L 3	L 4
8	8	8	80	95	20	25
6	6	6	70	40	12	14
6E	1/4"					

011931

Stūra noapaļošanas uzgalis**Att.53**

mm							
	D	A 1	A 2	L 1	L 2	L 3	R
8R	6	25	9	48	13	5	8
8RE	1/4"						
4R	6	20	8	45	10	4	4
4RE	1/4"						

006489

Nošķēluma uzgalis**Att.54**

mm						
D	A	L 1	L 2	L 3	θ	
6	23	46	11	6	30°	
6	20	50	13	5	45°	
6	20	49	14	2	60°	

006462

Iedobuma velvējuma uzgalis**Att.55**

mm				
D	A	L 1	L 2	R
6	20	43	8	4
6	25	48	13	8

006464

Lodīšu gultņu vienlīmeņa apgriešanas uzgalis**Att.56**

mm			
D	A	L 1	L 2
6	10	50	20
1/4"			

006465

Lodīšu gultņu stūra noapaļošanas uzgalis**Att.57**

mm							
D	A 1	A 2	L 1	L 2	L 3	R	
6	15	8	37	7	3,5	3	
6	21	8	40	10	3,5	6	
1/4"	21	8	40	10	3,5	6	

006466

Lodīšu gultņu nošķēluma uzgalis**Att.58**

mm						
D	A 1	A 2	L 1	L 2	θ	
6	26	8	42	12	45°	
1/4"						
6	20	8	41	11	60°	

006467

Lodīšu gultņu noapaļošanas uzgalis**Att.59**

mm							
D	A 1	A 2	A 3	L 1	L 2	L 3	R
6	20	12	8	40	10	5,5	4
6	26	12	8	42	12	4,5	7

006468

Lodīšu gultņu iedobuma velvējuma uzgalis**Att.60**

mm								
D	A 1	A 2	A 3	A 4	L 1	L 2	L 3	R
6	20	18	12	8	40	10	5,5	3
6	26	22	12	8	42	12	5	5

006469

Lodīšu gultņu romiešu stila velvējuma uzgalis**Att.61**

mm								
D	A 1	A 2	L 1	L 2	L 3	R 1	R 2	
6	20	8	40	10	4,5	2,5	4,5	
6	26	8	42	12	4,5	3	6	

006470

PIEZĪME:

- Daži sarakstā norādītie izstrādājumi var būt iekļauti instrumenta komplektācijā kā standarta piederumi. Tie dažādās valstīs var būt atšķirīgi.

LIETUVIŲ KALBA (Originali naudojimo instrukcija)

Bendrasis aprašymas

- 1-1. Antgalio išsikišimas
 - 1-2. Įrankio pagrindas
 - 1-3. Skalė
 - 1-4. Fiksavimo svirtelė
 - 1-5. Reguliavimo varžtas
 - 1-6. Šešiakampė veržlė
 - 2-1. Jungiklis
 - 2-2. Padėtį IŠJUNGTA (O)
 - 2-3. Padėtį ĮJUNGTA (I)
 - 3-1. Greičio reguliavimo diskas
 - 4-1. Priveržkite
 - 4-2. Atleisti
 - 4-3. Laikyti
 - 5-1. Priveržkite
 - 5-2. Atleisti
 - 5-3. Ašies fiksatorius
 - 6-1. Tiekimo kryptis
 - 6-2. Gražto sukimosi kryptis
 - 6-3. Ruošiny
 - 6-4. Tiesusis kreiptuvas
 - 8-1. Pagrindo saugiklis
 - 8-2. Varžtai
 - 8-3. Atsuktuvas
 - 9-1. Tiesioji freza
 - 9-2. Pagrindas
 - 9-3. Lekalas
 - 9-4. (X) atstumas
 - 9-5. Ruošiny
 - 9-6. Kreipiančioji įvorė 10
 - 9-7. Pagrindo saugiklis
 - 11-1. Varžtas
 - 11-2. Kreiptuvas
 - 11-3. Tiesusis kreiptuvas
 - 11-4. Sparnuotoji veržlė
 - 12-1. Suveržimo varžtas (A)
 - 12-2. Tiesusis kreiptuvas
 - 12-3. Sparnuotoji veržlė
 - 12-4. Pagrindas
 - 14-1. Sparnuotoji veržlė
 - 14-2. Kreiptuvas
 - 14-3. Tiesusis kreiptuvas
 - 14-4. Centrinė anga
 - 14-5. Varžtas
 - 15-1. Sparnuotoji veržlė
 - 15-2. Kreiptuvas
 - 15-3. Tiesusis kreiptuvas
 - 15-4. Centrinė anga
 - 15-5. Varžtas
 - 16-1. Vinis
 - 16-2. Centrinė anga
 - 16-3. Tiesusis kreiptuvas
 - 18-1. Suveržimo varžtas (A)
 - 18-2. Reguliavimo varžtas
 - 18-3. Suveržimo varžtas (B)
 - 18-4. Profiliavimo kreiptuvas
 - 19-1. Ruošiny
 - 19-2. Gražtas
 - 19-3. Kreipiamoji liniuotė
 - 20-1. Suveržimo varžtai
 - 21-1. Pagrindo saugiklis
 - 21-2. Sraigtas
 - 23-1. Skriemulys
 - 23-2. Įvorės veržlė
 - 23-3. Įvorės kūgis
 - 24-1. Veržliaraktis
 - 24-2. Skriemulys
 - 24-3. Ašies fiksatorius
 - 25-1. Įvorės veržlė
 - 25-2. Įvorės kūgis
 - 27-1. Skriemulys
 - 27-2. Diržas
 - 28-1. Fiksavimo svirtelė
 - 28-2. Slenkamas pagrindas
 - 29-1. Veržliaraktis
 - 29-2. Šešiabriaunis veržliaraktis
 - 29-3. Gražtas
 - 30-1. Varžtai
 - 30-2. Slenkamo pagrindo plokštė
 - 30-3. Viršutinė slenkamo pagrindo dalis
 - 31-1. Vamzdžio tipo rankenos (pasirenkamas priedas)
 - 31-2. Rankenos priedas (pasirenkamas priedas)
 - 31-3. Slenkamo pagrindo plokštė
 - 31-4. Profiliavimo staklių pagrindo kompleksas (pasirenkamas priedas)
 - 32-1. Sraigtas
 - 32-2. Rankenėlės tipo rankena
 - 32-3. Slenkamo pagrindo plokštė
 - 34-1. Nuleidžiamas pagrindas
 - 34-2. Rankena
 - 35-1. Sraigtas
 - 35-2. Rankenėlė
 - 36-1. Vamzdžio tipo rankenos (pasirenkamas priedas)
 - 37-1. Reguliavimo rankenėlė
 - 37-2. Fiksavimo svirtelė
 - 37-3. Gylio rodyklė
 - 37-4. Stabdiklio strypo fiksavimo veržlė
 - 37-5. Greito tiekimo mygtukas
 - 37-6. Stabdiklio strypas
 - 37-7. Stabdiklio blokas
 - 37-8. Reguliavimo varžtas
 - 38-1. Tiekimo kryptis
 - 38-2. Gražto sukimosi kryptis
 - 38-3. Ruošiny
 - 38-4. Tiesusis kreiptuvas
 - 40-1. Pjovimo juosta
 - 40-2. Sparnuotasis varžtas
 - 40-3. Tiesusis kreiptuvas
 - 43-1. Sraigtas
 - 43-2. Pagrindas
 - 43-3. Lekalas
 - 44-1. Gražtas
 - 44-2. Pagrindas
 - 44-3. Lekalas
 - 44-4. Ruošiny
 - 44-5. (X) atstumas
 - 44-6. Lekalo kreiptuvo išorinis skersmuo
 - 44-7. Lekalo kreipiklis
 - 46-1. Ribos žymė
 - 47-1. Atsuktuvas
 - 47-2. Šepetėlio laikiklio dangtelis
-

SPECIFIKACIJOS

Modelis	RT0700C
Ivorės kumštelinio griebtuvo dydis	6 mm, 8 mm, 1/4" arba 3/8"
Greitis be apkrovos (min ⁻¹)	10 000 - 30 000
Bendras ilgis	200 mm
Neto svoris	1,8 kg
Saugos klasė	II

- Atliekame nepertraukiamus tyrimus ir nuolatos tobuliname savo gaminius, todėl čia pateikiamos specifikacijos gali būti keičiamos be įspėjimo.
- Įvairiose šalyse specifikacijos gali skirtis.
- Svoris pagal Europos elektrinių įrankių asociacijos nustatytą metodiką „EPTA -Procedure 01/2003“

Paskirtis

Šis įrankis skirtas medienos, plastmasės ir panašių medžiagų apdailinimui ir profiliavimui.

ENE101-1

Elektros energijos tiekimas

Įrenginiui turi būti tiekiami tokios įtampos elektros energija, kaip nurodyta duomenų lentelėje; įrenginys veikia tik su vienfaze kintamąja srove. Visi įrenginiai turi dvigubą izoliaciją, kaip reikalauja Europos standartas, todėl juos galima jungti į elektros lizdą neįžemintus.

ENF002-1

ENG905-1

Triukšmas

Tipiškas A svertinis triukšmo lygis nustatytas pagal EN60745:

Garso slėgio lygis (L_{pA}): 82 dB(A)

Garso galios lygis (L_{WA}): 93 dB(A)

Paklaida (K) : 3 dB (A)

Dėvėkite ausų apsaugas

ENG900-1

Vibracija

Vibracijos bendroji vertė (trijų ašių vektorinė suma) nustatyta pagal EN60745:

Darbo režimas: gręžimas be kalimo

Vibracijos skleidimas (a_n): 2,5 m/s² arba mažiau

Paklaida (K) : 1,5 m/s²

Darbo režimas : griovelių pjovimas MDF režimu

Vibracijos skleidimas (a_n) : 3,5 m/s²

Paklaida (K) : 1,5 m/s²

ENG901-1

- Paskelbtasis vibracijos emisijos dydis nustatytas pagal standartinį testavimo metodą ir jį galima naudoti vienam įrankiui palyginti su kitu.
- Paskelbtasis vibracijos emisijos dydis taip pat gali būti naudojamas preliminariai įvertinti vibracijos poveikį.

- Siekiant apsaugoti operatorių, būtina įvertinkite saugos priemones, remdamiesi vibracijos poveikio įvertinimu esant faktinėms naudojimo sąlygoms (atsižvelgdami į visas darbo ciklo dalis, pavyzdžiui, ne tik kiek laiko įrankis veikia, bet ir kiek kartų jis yra išjungiamas bei kai jis veikia be apkrovų).

ENH101-14

Tik Europos šalims

ES atitikties deklaracija

Mes, „Makita Corporation“ bendrovė, būdami atsakingas gamintojas, pareiškiame, kad šis „Makita“ mechanizmas(-ai):

Mechanizmo paskirtis:

Profilavimo staklės

Modelio Nr./ tipas: RT0700C

priklauso serijinei gamybai ir

atitinka šias Europos direktyvas:

2006/42/EC

ir yra pagamintas pagal šiuos standartus arba normatyvinius dokumentus:

EN60745

Techninę dokumentaciją saugo mūsų įgaliotasis atstovas Europoje, kuris yra:

Makita International Europe Ltd.

Michigan Drive, Tongwell,

Milton Keynes, MK15 8JD, England (Anglija)

14.10.2010



000230

Tomoyasu Kato

Direktorius

Makita Corporation

3-11-8, Sumiyoshi-cho,

Anjo, Aichi, JAPAN (JAPONIJA)

⚠️ ĮSPĖJIMAS:

- Faktiškai naudojant elektrinį įrankį, keliamos vibracijos dydis gali skirtis nuo paskelbtojo dydžio, priklausomai nuo būdų, kuriais yra naudojamas šis įrankis.

Bendrieji perspėjimai darbui su elektriniais įrankiais

⚠ ĮSPĖJIMAS Perskaitykite visus saugos įspėjimus ir instrukcijas. Nesilaikydami žemiau pateiktų įspėjimų ir instrukcijų galite patirti elektros smūgį, gaisrą ir/arba sunkų sužeidimą.

Išsaugokite visus įspėjimus ir instrukcijas, kad galėtumėte jas peržiūrėti ateityje.

GEB019-4

SAUGOS ĮSPĖJIMAI DĖL ŽOLIAPJOVĖS NAUDOJIMO

1. Laikykite elektrinį įrankį už izoliuotų, laikymui skirtų vietų, nes pjovimo antgalis gali užkliudyti savo paties laidą. Prilietus „gyvą“ laidą, neizoliuotoms metalinėms elektrinio įrankio dalims gali būti perduota įtampa ir operatorius gali patirti elektros smūgį.
2. Ruošinį ant stabilios platformos tvirtinkite spaustuvais arba kitais parankiais būdais. Laikant ruošinį rankomis arba atrėmus jį save, jis nėra stabilus – galite prarasti kontrolę.
3. Jei ketinate dirbti ilgai, naudokite klausos apsaugines priemones.
4. Su grąžtais elkitės labai atsargiai.
5. Prieš naudodami patikrinkite grąžtą, ar nėra įtrūkimų ar pažeidimų. Nedelsdami pakeiskite įtrūkusį arba pažeistą grąžtą.
6. Nepjaukite vinių. Prieš dirbdami apžiūrėkite ruošinį ir išimkite visas visas.
7. Tvirtai laikykite įrankį.
8. Laikykite rankas toliau nuo sukamųjų dalių.
9. Prieš įjungdami jungiklį, patikrinkite, ar grąžtas neliečia ruošinio.
10. Prieš naudodami įrankį su ruošiniu, leiskite jam kurį laiką veikti be apkrovos. Jei pastebėsite vibraciją arba klibėjimą, tai gali rodyti, kad grąžtas netinkamai įstatytas.
11. Atkreipkite dėmesį į grąžto sukimosi kryptį ir tiekimo kryptį.
12. Nepalikite veikiančio įrankio. Naudokite įrankį tik laikydami rankomis.
13. Prieš ištraukdami įrankį iš ruošinio, būtinai išjunkite ir palaukite, kol grąžtas visiškai sustos.
14. Nelieskite grąžto iškart po naudojimo; jis gali būti itin karštas ir nudeginti odą.
15. Saugokitės, kad neišteptumėte įrankio pagrindo skiedikliu, benzinu, alyva ir pan. Jie gali įskelti įrankio pagrindą.
16. Naudokite reikiamo skersmens antgalius, tinkamus pagal įrankio greitį.

17. Kai kuriose medžiagose esama cheminių medžiagų, kurios gali būti nuodingos. Saugokitės, kad neįkvėptumėte dulkių ir nesiliestumėte oda. Laikykites medžiagų tiekėjo saugos duomenimis.
18. Atsižvelgdami į apdirbamą medžiagą ir darbo pobūdį, būtinai užsidėkite kaukę, saugančią nuo dulkių / respiratorių.

SAUGOKITE ŠIAS INSTRUKCIJAS.

⚠ ĮSPĖJIMAS:

NELEISKITE, kad patogumas ir gaminio pažinimas (įgyjamas pakartotinai naudojant) susilpnintų griežtą saugos taisyklių, taikytinų šiam gaminiui, laikymąsi. Dėl **NETINKAMO NAUDOJIMO** arba saugos taisyklių nesilaikymo, kurios pateiktos šioje instrukcijoje galima rimtai susižeisti.

VEIKIMO APRAŠYMAS

⚠DĖMESIO:

- Prieš reguliuodami įrenginį arba tikrindami jo veikimą visada patikrinkite, ar įrenginys išjungtas, o laido kištukas - ištrauktas iš elektros lizdo.

Antgalio išsikišimo reguliavimas

Pav.1

Norėdami pareguliuoti antgalio išsikišimą, atsukite fiksavimo svirtį ir, sukdami reguliavimo varžtą, pakreipkite įrankio pagrindą norimu kampu aukštyn arba žemyn. Nustatę, užtvirtinkite pagrindo padėtį, tvirtai užverždami fiksavimo svirtį.

PASTABA:

- Jeigu užtvirtinus fiksavimo svirtį įrankis vis tiek neužtvirtinamas, priveržkite šešiakampę varžlę, tada užtvirtinkite fiksavimo svirtį.

Jungtiklio veikimas

Pav.2

⚠DĖMESIO:

- Prieš įjungdami įrankį į maitinimo tinklą, visuomet patikrinkite, ar jis išjungtas.

Norėdami įjungti įrankį, pastumkite jungtiklį į „I“ (įjungta) padėtį. Norėdami išjungti įrankį, pastumkite jungtiklį į „O“ (išjungta) padėtį.

Elektroninė funkcija

Įrankius su elektronine funkcija valdyti lengviau dėl šių prižasčių.

Nuolatinis greičio reguliavimas

Elektroninis greičio reguliavimas siekiant užtikrinti pastovų greitį. Galima tiksliai nušlifuoti paviršius, nes sukimosi greitis būna vienodas net esant didelei apkrovai.

Švelnus paleidimas

Švelnaus paleidimo funkcija iki minimumo sumažina paleidimo smūgį ir leidžia sklandžiai paleisti įrankį.

Greičio reguliavimo diskas

Pav.3

Įrankio greitį galima keisti pasukant greičio reguliavimo ratuką prie norimo skaičiaus nuo 1 iki 6.

Greitis didėja, kai ratukas sukamas skaičiaus 6 kryptimi, o mažesnis greitis gaunamas sukant skaičiaus 1 kryptimi. Tai leidžia pasirinkti idealų greitį optimaliam medžiagos apdirbimui, t.y., galima tinkamai nustatyti greitį, atsižvelgiant į apdirbamą medžiagą ir frezos skersmenį. Žr. žemiau pateiktą lentelę, kad pamatytumėte ryšį tarp skaičių nustatymų ant ratuko ir apytikslių įrankio greitį.

Skaičius	min ¹
1	10 000
2	12 000
3	17 000
4	22 000
5	27 000
6	30 000

011932

⚠DĖMESIO:

- Jeigu įrankis ilgą laiką nepertraukiamai veikia mažu greičiu, variklis bus perkrautas, ir dėl to įrankis gali blogai veikti.
- Greičio reguliavimo diską galima sukti tik iki 6 ir atgal iki 1. Nesukite jo toliau, nes gali sutrikti greičio reguliavimo funkcija.

SURINKIMAS

⚠DĖMESIO:

- Prieš taisydami įrenginį visada patikrinkite, ar jis išjungtas, o laido kištukas - ištrauktas iš elektros lizdo.

Profiliavimo antgalių įdėjimas ir išėmimas

Pav.4

Pav.5

⚠DĖMESIO:

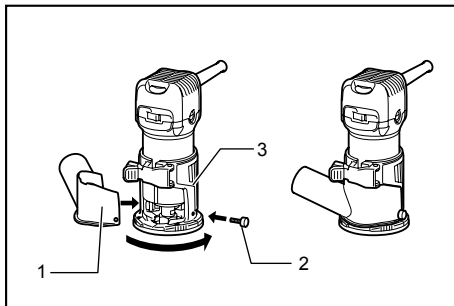
- Neužveržike įvorės varžlės, prieš tai neiškęš antgalio, ne skitais suluš įvorės kūgis.
- Naudokite tik su įrankiu pateiktus varžliarakčius.

Iki galo įkiškite antgalį į įvorės kūgį ir tvirtai užveržkite įvorės varžlę, naudodami du varžliarakčius arba spausdami ašies stabdiklį bei naudodami pateiktą varžliaraktį.

Jei norite nuimti antgalį, laikykitės uždėjimo procedūros atvirkščia tvarka.

NAUDOJIMAS

Profiliavimo staklių pagrindu



1. Dulkių surenkamasis antgalis
2. Varžtas praplatinga galvute
3. Profiliavimo staklių pagrindas

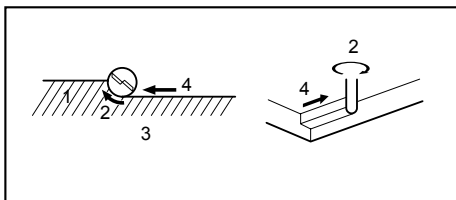
011989

⚠️ ĮSPĖJIMAS:

- Prieš naudodami šį įrankį su profiliavimo staklių pagrindu, ant profiliavimo staklių pagrindo visada sumontuokite dulkių išleidimo antgalį.

Padėkite įrankį pagrindu ant ruošinio, kurį pjausite, taip, kad antgalis ruošinio neliestų. Įjunkite įrankį ir palaukite, kol antgalis pradės sukis visu greičiu. Stumkite įrankį pirmyn virš ruošinio paviršiaus, laikydami plokščiai ir tolygiai stumdami į priekį, kol baigsite pjauti.

Pjaunant kraštą, ruošinio paviršius turi būti iš ašies antgalio pusės, nukreiptas stūmimo kryptimi.



1. Ruošinys
2. Gražto sukimosi kryptis
3. Vaizdas iš įrankio viršaus
4. Tiekimo kryptis

001984

PASTABA:

- Per greitai stumiant įrankį į priekį, pjūvis gali būti prastos kokybės arba galima sugadinti antgalį arba variklį. Per lėtai stumiant įrankį, pjūvis gali būti nudegintas arba sugadintas. Tinkamas įrankio stūmimo tempas priklauso nuo antgalio dydžio, ruošinio rūšies ir pjovimo gylio. Prieš pradėdant pjauti, rekomenduotina atlikti bandomąjį pjūvį, naudojant medienos gabalėlį. Taip tiksliai pamatysite, kaip atdorys pjūvis ir galėsite patikrinti matmenis.
- Naudodami profiliavimo trinkelę, tiesų kreipiklį arba profiliuotą kreipiklį, būtinai dėkite jį dešinėje pusėje, stūmimo kryptimi. Taip jis bus sulygiuotas su ruošinio šonu.

Pav.6

⚠️ DĖMESIO:

- Pernelyg ilgai dirbant, variklis gali būti perkrautas, įrankį gali būti sunku suvaldyti; pjaunant griovelius, pjūvio gylis neturėtų viršyti 3 mm. Jeigu norite pjauti gilesnius nei 3 mm griovelius, atlikite keletą pjūvių, vis padidindami gylio nustatymus.

Tiesusis kreiptuvas (papildomas priedas)

Pav.7

Lekalo kreipiklis turi movą, pro kurią praeina antgalis, ir todėl profiliavimo įrankiu galima išpjauti modelius pagal lekalus.

Atsukite varžtus ir nuimkite pagrindo apsaugą. Padėkite lekalą kreipiklį ant pagrindo ir atgal uždėkite pagrindo apsaugą. Tada priveržkite pagrindą varžtais.

Pav.8

Pritvirtinkite lekalą prie ruošinio. Dėkite įrankį ant lekalą ir slinkite įrankį su lekalu kreipikliu išilgai lekalą šono.

Pav.9

PASTABA:

- Pjoviny bus išpjautas truputį kitokio dydžio nei lekalas. Tarp frezos ir išorinio lekalą kreipiklio krašto palikite (X) atstumą. (X) atstumą galima apskaičiuoti, naudojant tokią lygtį:

(X) atstumas = (lekalą kreipiklio išorinis skersmuo - frezos skersmuo) / 2

Tiesusis kreiptuvas (papildomas priedas)

Pav.10

Tiesusis kreipiklis efektyviai naudojamas tiesiems pjūviams, išpjaujant išėmas arba griovelius.

Pav.11

Prie tiesiojo kreipiklio varžtu ir sparnuotąja veržle pritvirtinkite kreipiklio plokštę

Pav.12

Suveržimo varžtu (A) pritvirtinkite tiesųjį kreipiklį. Atlaisvinkite sparnuotąją veržlę, esančią ant tiesiojo kreipiklio ir pareguliuokite atstumą tarp antgalio ir tiesiojo kreipiklio. Nustatę norimą atstumą, tvirtai užveržkite sparnuotąją veržlę.

Pjaudami stumkite įrankį su tiesiuoju kreipikliu, sulygiavę jį su ruošinio kraštu.

Jeigu atstumas (A) tarp ruošinio ir pjovimo padėties yra per didelis tiesiajam kreipikliui, arba jeigu ruošinys neteisingas, tiesiojo kreipiklio naudoti negalima. Tokiu atveju, prie ruošinio tvirtai prispauskite tiesią lentą ir naudokite ją kaip kreipiklį, atrėmę į profiliavimo įrankio pagrindą. Slinkite įrankį rodyklės kryptimi.

Pav.13

Apskritasis pjovimas

Pav.14

Apskrituosius pjūvius galima atlikti kartu sumontavus tiesųjį kreipiklį ir kreipiklio plokštę, kaip parodyta paveikslėliuose.

Galima atlikti tokius minimalaus ir maksimalaus spindulio pjūvius (atstumas tarp apskritimo centro ir antgalio centro):

Minimalus: 70 mm

Maksimalus: 221 mm

Pjaunant nuo 70 iki 121 mm spindulio apskritimus.

Pjaunant nuo 121 iki 221 mm spindulio apskritimus.

Pav.15

PASTABA:

- Naudojant šį kreipiklį, negalima pjauti apskritimų, kurių spindulys yra nuo 172 iki 186 mm.

Pav.16

Sulygiuokite tiesiojo kreipiklio centrinę skylę su pjaunamo apskritimo centru. Į centrinę skylę įkalkite mažesnio nei 6 mm skersmens vinį, kad būtų užtvirtintas tiesusis kreipiklis. Sukite įrankį aplink vinį pagal laikrodžio rodyklę.

Profilavimo kreiptuvas (papildomas priedas)

Pav.17

Profilavimo kreipikliu galima lengvai atlikti profilinius, lenktus pjūvius baldams skirtingose faneros plokštėse. Kreipiklio velenėlis slenka kreive ir užtikrina tikslių pjūvį.

Pav.18

Sumontuokite profilavimo kreipiklį ant įrankio pagrindo, naudodami suveržimo varžtą (A). Atlaisvinkite suveržimo varžtą (B) ir reguliuokite atstumą tarp antgalio ir profilavimo kreipiklio, sukdami regliavimo varžtą (1 mm/pasukimui). Nustatę norimą atstumą, užveržkite suveržimo varžtą (B), kad profilavimo kreipiklis nejudėtų.

Pav.19

Pjaudami, stumkite įrankį taip, kad kreipiklio velenėlis slystų ruošinio šonu.

Pakreipiamas pagrindas (papildomas priedas)

Pakreipiamą pagrindą (papildomą priedą) patogiu naudoti apvalinant kampus.

Pav.20

Dėkite įrankį ant pakreipiamo pagrindo ir užtvirtinkite fiksavimo svirtį ties norima antgalio iškyša. Norėdami nustatyti norimą kampą, užveržkite jos šonuose esančius tvirtinimo varžtus.

Prie ruošinio tvirtai prispauskite tiesią lentą ir naudokite ją kaip kreiptuvą, atrėmę į pakreipiamą pagrindą. Slinkite įrankį rodyklės kryptimi.

Nuo pakreipiamo pagrindo (papildomo priedo) nuimtas pagrindo apsaugos įtaisas

Sumontuojant pagrindo apsaugos įtaisą, nuimtą nuo pakreipiamo pagrindo, pritvirtinto prie profilavimo staklių pagrindu, apvalų profilavimo įrankio pagrindą galima pakeisti kvadratinu pagrindu.

Darydami kitus darbus, nuimkite pagrindo apsaugos įtaisą nuo pakreipiamo pagrindo, atsukę ir ištraukę keturis varžtus.

Pav.21

Tada sumontuokite pagrindo apsauginį įtaisą ant profilavimo staklių pagrindo.

Slenkamas pagrindas (papildomas priedas)

Pav.22

- (1) Slenkamą pagrindą (papildomą priedą) patogiu naudoti siaurose vietose, pavyzdžiui, kampuose.

Pav.23

Prieš montuodami įrankį ant slenkamo pagrindo, atsukite įvorės veržlę ir nuimkite įvorės veržlę bei įvorės kūgį.

Pav.24

Sumontuokite skriemulį ant įrankio, paspausdami ašies fiksatorių ir tvirtai užverždami skriemulį veržliarakčiu.

Pav.25

Dėkite įvorės kūgį ir priveržkite įvorės veržlę ant slenkamo pagrindo kaip parodyta paveikslėlyje.

Pav.26

Sumontuokite įrankį ant slenkamo pagrindo

Pav.27

Veržliarakčiu uždėkite vieną diržo galą ant skriemulio ir įsitikinkite, ar diržas per visą savo plotį nutiestas virš skriemulio.

Pav.28

Pritvirtinkite fiksavimo svirtini, esančia ant slenkamo pagrindo.

Pav.29

Norėdami įdėti antgalį, paguldykite įrankį su slenkamu pagrindu ant šono. Įkiškite veržliarakčių į slenkamame pagrindė esančią angą.

Laikydami šešiakampį veržliarakčių tokioje padėtyje, iš priešingos pusės įdėkite antgalį į įvorės kūgį, esantį ant slenkamo pagrindo ašies, ir veržliarakčiu tvirtai užveržkite įvorės veržlę.

Jeigu antgalį norite pakeisti, atlikite įdėjimo veiksmus atvirkščia eilės tvarka.

- (2) Slenkamą pagrindą (papildomą priedą) taip pat galima naudoti kartu su profilavimo staklių pagrindu ir rankenos priedu (pasirenkamu priedu), kad įrankis būtų stabilėsnis.

Pav.30

Atsukite varžtus ir nuimkite viršutinę dalį nuo slenkamo pagrindo. Viršutinę slenkamo pagrindo dalį padėkite į šalį.

Pav.31

Profilavimo staklių pagrindą ant slenkamo pagrindo plokštės pritvirtinkite keturiais varžtais, o rankenos priedą (pasirenkamą priedą) – dviem varžtais.

Įsukite vamzdžio tipo rankeną (pasirenkamą priedą) į rankenos priedą.

Pav.32

Naudojant kitu būdu, rankenėlės tipo rankeną, kuri buvo nuimta nuo nuleidžiamo pagrindo (pasirenkamo priedo), galima sumontuoti ant rankenos priedo. Norėdami sumontuoti rankenėlės tipo rankeną, dėkite ją ant rankenos priedo ir pritvirtinkite ją varžtu.

Pav.33

Naudojant tik kaip frezą su nuleidžiamu pagrindu (pasirenkamu priedu)

⚠DĖMESIO:

- Naudodami kaip frezą, tvirtai laikykite įrankį abejomis rankomis.

Pav.34

Norėdami naudoti įrankį kaip frezą, sumontuokite įrankį ant nuleidžiamo pagrindo (pasirenkamo priedo), paspausdami jį iki pat galo žemyn.

Galima naudoti ir rankenėlės, ir vamzdžio tipo rankenas (pasirenkamus priedus), atsižvelgiant į atliekamą darbą.

Pav.35

Norėdami naudoti vamzdžio tipo rankeną (pasirenkamą priedą), atsukite varžtą ir nuimkite rankenėlės tipo rankeną.

Pav.36

Tada įsukite vamzdžio tipo rankeną į pagrindą.

Pjovimo gylio nustatymas naudojant nuleidžiamą pagrindą (pasirenkamą priedą)

Pav.37

Padėkite įrankį ant lygaus paviršiaus. Atlaisvinkite fiksavimo svirtelę ir leiskite įrankio korpusą žemyn tol, kol freza palies paviršių. Užveržkite fiksavimo rankenėlę, kad įrankio korpusas užsifiksuotų.

Pasukite stabdiklio strypo nustatymo veržlę prieš laikrodžio rodyklę. Leiskite stabdiklio strypą žemyn tol, kol jis palies reguliavimo varžtą. Gylio žymeklių nustatykite ties „0“ padala. Pjūvio gylį ant skalės parodo gylio žymėklis.

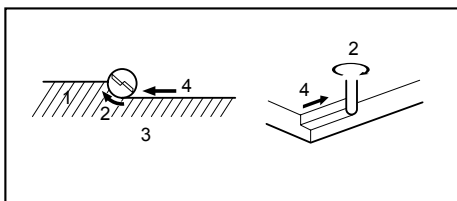
Spausdami greito veikimo mygtuką, kelkite stabdiklio strypą, kol nustatysite norimą pjovimo gylį. Momentinius gylio reguliavimus galima nustatyti sukant reguliavimo rankenėlę (1 pasukimas lygus 1 mm).

Sukant stabdiklio strypo nustatymo veržlę pagal laikrodžio rodyklę, galima tvirtai užveržti stabdiklio strypą.

Iš anksto nustatytą pjūvio gylį galima gauti, atlaisvinant fiksavimo rankenėlę ir tada leidžiant įrankio korpusą žemyn tol, kol stabdiklio strypas palies šešiakampį stabdiklio bloko reguliavimo varžtą.

Dirbdami, visada tvirtai laikykite įrankį už abiejų rankenų. Padėkite įrankį pagrindu ant ruošinio, kurį pjausite, taip, kad antgalis ruošinio neliestų. Įjunkite įrankį ir palaukite, kol antgalis pradės sukis visu greičiu. Nuleiskite įrankio korpusą ir stumkite įrankį pirmyn ruošinio paviršiumi, laikydami pagrindą lygiai ir tolygiai stumdami į priekį, kol baigsite pjauti.

Pjaunant kraštą, ruošinio paviršius turi būti iš airės antgalio pusės, nukreiptas stūmimo kryptimi.



1. Ruošiny
2. Gražto sukimosi kryptis
3. Vaizdas iš įrankio viršaus
4. Tiekimo kryptis

001984

PASTABA:

- Per greitai stumiant įrankį į priekį, pjūvis gali būti prastos kokybės arba galima sugadinti antgalį arba variklį. Per lėtai stumiant įrankį, pjūvis gali būti nudegintas arba sugadintas. Tinkamas įrankio stūmimo tempas priklauso nuo antgalio dydžio, ruošinio rūšies ir pjovimo gylio. Prieš pradėdant

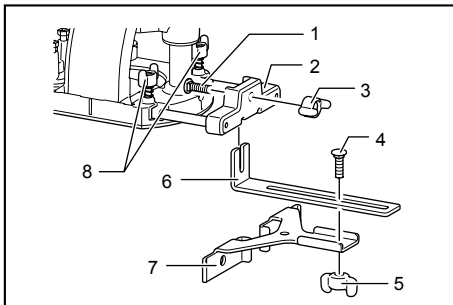
pjauti, rekomenduotina atlikti bandomąjį pjūvį, naudojant medienos gabalėlį. Taip tiksliai pamatysite, kaip atdorys pjūvis ir galėsite patikrinti matmenis.

- Naudodami tiesųjį kreiptuvą, būtinai dėkite jį dešinėje pusėje, stūmimo kryptimi. Taip jis bus sulygiuotas su ruošinio šonu.

Pav.38

Kreipkite tiesiai, naudodami kaip frezą (reikia naudoti su kreiptuvo laikikliu (pasirenkamu priedu))

Tiesusis kreipiklis efektyviai naudojamas tiesiems pjūviams, išpjaunant išėmas arba griovelius.



1. Varžtas
2. Kreiptuvo laikiklis
3. Sparnuotoji veržlė
4. Varžtas
5. Sparnuotoji veržlė
6. Kreiptuvas
7. Tiesusis kreiptuvas
8. Sparnuotosios veržlės

011988

Pritvirtinkite tiesųjį kreiptuvą ant kreiptuvo laikiklio (pasirenkamo priedo) sparnuotąją veržlę.

Įstatykite kreiptuvo laikiklį į angas, esančias nuleidžiamame pagrinde, ir užveržkite sparnuotąsias veržles. Norėdami pareguliuoti atstumą tarp antgalio ir tiesiojo kreiptuvo, atsukite sparnuotąją veržlę. Nustatę norimą atstumą, užveržkite sparnuotąją veržlę, kad tiesusis kreiptuvas nejudėtų.

Tiesusis kreiptuvas (papildomas priedas)

Pav.39

Tiesusis kreipiklis efektyviai naudojamas tiesiems pjūviams, išpjaunant išėmas arba griovelius.

Pav.40

Norėdami sumontuoti tiesųjį kreiptuvą, įkiškite kreiptuvo strypus į nuleidžiamame pagrinde esančias angas. Pareguliuokite atstumą tarp antgalio ir tiesiojo kreiptuvo. Nustatę norimą atstumą, užveržkite sparnuotuosius varžtus, kad tiesusis kreiptuvas nejudėtų.

Pjaudami stumkite įrankį su tiesiuoju kreipikliu, sulygiavę jį su ruošinio kraštu.

Pav.41

Jeigu atstumas (A) tarp ruošinio ir pjovimo padėties yra per didelis tiesiam kreipikliui, arba jeigu ruošinys neteisingai, tiesiojo kreipiklio naudoti negalima. Tokiu atveju, prie ruošinio tvirtai prispauskite tiesią lentą ir naudokite ją kaip kreiptuvą, atrėmę į frezos pagrindą. Slinkite įrankį rodyklės kryptimi.

Tiesusis kreiptuvas (papildomas priedas)

Pav.42

Kreipiančioji įvorė turi movą, pro kurią praeina antgalis, ir todėl įrankiu galima išpjauti modelius pagal lekalus. Norėdami įtaisyti kreipiančiąją įvorę, atlaisvinkite ant įrankio pagrindo esančius varžtus, įkiškite kreipiančiąją įvorę ir tada užveržkite varžtus.

Pav.43

Pritvirtinkite lekalą prie ruošinio. Dėkite įrankį ant lekalo ir slinkite įrankį su lekalu kreipikliu išilgai lekalų šono.

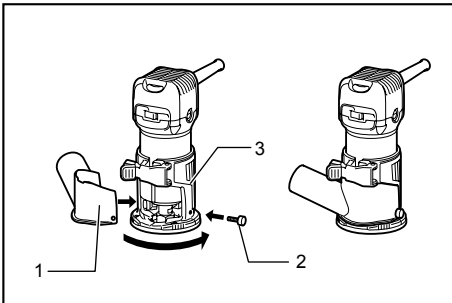
Pav.44

PASTABA:

- Pjovinyvis bus išpjautas truputį kitokio dydžio nei lekalas. Tarp frezos ir išorinio kreipiančiosios įvorės krašto palikite (X) atstumą. (X) atstumą galima apskaičiuoti, naudojant tokią lygtį:
(X) atstumas = (kreipiančiosios įvorės išorinis skersmuo - frezos skersmuo) / 2

Dulkių išleidimo antgalio nuostatos

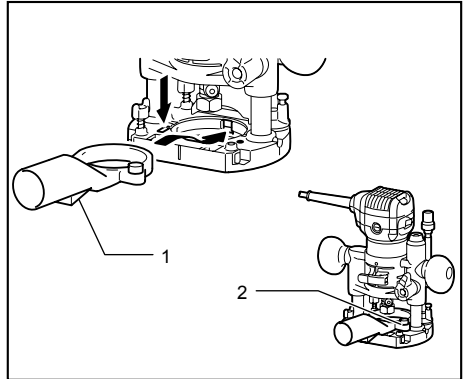
Profiliavimo staklių pagrindu



1. Dulkių surenkamasis antgalis
2. Varžtas praplatinta galvute
3. Profiliavimo staklių pagrindas

011989

Nuleidžiamam pagrindui (papildomas priedas)



1. Dulkių surenkamasis antgalis
2. Varžtas praplatinta galvute

011853

Dulkėms šalinti naudokite dulkių antgalį. Įtaisykite dulkių antgalį ant įrankio pagrindo naudodami sparnuotąją veržlę taip, kad dulkių antgalio išsikišimas įtaisytų į griovelį ant įrankio pagrindo.

Po to prijunkite dulkių antgalį prie „Makita“ dulkių siurblio.

Pav.45

TECHNINĖ PRIEŽIŪRA

⚠ DĖMESIO:

- Prieš apžiūrėdami ar taisydami įrenginį visada patikrinkite, ar jis išjungtas, o laido kištukas - ištrauktas iš elektros lizdo.
- Niekada nenaudokite gazolino, benzino, tirpiklio, spirito arba panašių medžiagų. Gali atsirasti išblukimų, deformacijų arba įtrūkimų.

Anglinių šepetėlių keitimas

Pav.46

Periodiškai išimkite ir patikrinkite anglinius šepetėlius. Pakeiskite juos, kai nusidėvi iki ribos žymės. Laikykite anglinius šepetėlius švarius ir laisvai įslenkančius į laikiklius. Abu angliniai šepetėliai turėtų būti keičiami tuo pačiu metu. Naudokite tik identiškus anglinius šepetėlius.

Pav.47

Jei norite nuimti šepetėlių laikiklių dangtelius, pasinaudokite atsuktuvu. Išimkite sudėvėtus anglinius šepetėlius, įdėkite naujus ir įtvirtinkite šepetėlių laikiklio dangtelį.

Kad gaminys būtų SAUGUS ir PATIKIMAS, jį taisyti, apžiūrėti ar vykdyti bet kokią kitą priežiūrą ar derinimą turi įgaliotasis kompanijos „Makita“ techninės priežiūros centras; reikia naudoti tik kompanijos „Makita“ pagamintas atsargines dalis.

PASIRENKAMI PRIEDAI

⚠ DĖMESIO:

Su šiaime vadove aprašytu įrenginiu „Makita“ rekomenduojama naudoti tik nurodytus priedus ir papildomus įtaisus. Jeigu bus naudojami kitokie priedai ar papildomi įtaisai, gali būti sužaloti žmonės. Priedus arba papildomus įtaisus naudokite tik pagal paskirtį.

Jeigu norite daugiau sužinoti apie tuos priedus, kreipkitės į artimiausią „Makita“ techninės priežiūros centrą.

- Tiesių ir griovelių formavimo antgaliai
- Kraštų formavimo antgaliai
- Profiliavimo antgaliai iš valcuoto metalo
- Tiesiojo kreipiklio komplektas
- Profiliavimo kreipiklio komplektas
- Profiliavimo staklių pagrindo komplektas
- Pakreipiamo pagrindo komplektas
- Nuleidžiamo pagrindo komplektas
- Slenkamo pagrindo komplektas
- Leko kreipiklis
- Įvorės kūgis, 6 mm
- Įvorės kūgis, 6.35 mm (1/4 colio)
- Įvorės kūgis, 8 mm
- Įvorės kūgis, 9,53 mm (3/8 colio)
- 13 nr. veržliaraktis
- 22 nr. veržliaraktis

Profiliavimo antgaliai

Tiesioji freza

Pav.48

mm				
	D	A	L 1	L 2
20	6	20	50	15
20E	1/4"			
8	8	8	60	25
8	6		50	18
8E	1/4"			
6	6			
6E	1/4"	6	50	18

011929

„U“ formos graviravimo freza

Pav.49

mm					
	D	A	L 1	L 2	R
6	6	6	60	28	3
6E	1/4"				

006486

„V“ formos graviravimo freza

Pav.50

mm				
D	A	L 1	L 2	θ
1/4"	20	50	15	90°

006454

Grąžtas - profiliavimo freza

Pav.51

mm					
	D	A	L 1	L 2	L 3
8	8	8	60	20	35
6	6	6	60	18	28
6E	1/4"				

011930

Grąžtas - dvigubo profiliavimo freza

Pav.52

mm						
	D	A	L 1	L 2	L 3	L 4
8	8	8	80	95	20	25
6	6	6	70	40	12	14
6E	1/4"					

011931

Kampų apvalinimo freza

Pav.53

mm							
	D	A 1	A 2	L 1	L 2	L 3	R
8R	6	25	9	48	13	5	8
8RE	1/4"						
4R	6	20	8	45	10	4	4
4RE	1/4"						

006489

Briaunų nuskvelbimo freza

Pav.54

mm					
D	A	L 1	L 2	L 3	θ
6	23	46	11	6	30°
6	20	50	13	5	45°
6	20	49	14	2	60°

006462

Skauto ornamento pjovimo freza

Pav.55

mm				
D	A	L 1	L 2	R
6	20	43	8	4
6	25	48	13	8

006464

Guolinė profiliavimo freza

Pav.56

mm			
D	A	L 1	L 2
6	10	50	20
1/4"			

006465

Guolinė kampų apvalinimo freza

Pav.57

mm						
D	A 1	A 2	L 1	L 2	L 3	R
6	15	8	37	7	3,5	3
6	21	8	40	10	3,5	6
1/4"	21	8	40	10	3,5	6

006466

Guolinė briaunų nuskvelbimo freza

Pav.58

mm					
D	A 1	A 2	L 1	L 2	θ
6	26	8	42	12	45°
1/4"					
6	20	8	41	11	60°

006467

Guolinė ornamentų pjovimo freza

Pav.59

mm							
D	A 1	A 2	A 3	L 1	L 2	L 3	R
6	20	12	8	40	10	5,5	4
6	26	12	8	42	12	4,5	7

006468

Guolinė skliauto ornamento pjovimo freza

Pav.60

mm								
D	A 1	A 2	A 3	A 4	L 1	L 2	L 3	R
6	20	18	12	8	40	10	5,5	3
6	26	22	12	8	42	12	5	5

006469

Guolinė romėniškos „S“ pavidalo kreivės freza

Pav.61

mm							
D	A 1	A 2	L 1	L 2	L 3	R1	R2
6	20	8	40	10	4,5	2,5	4,5
6	26	8	42	12	4,5	3	6

006470

PASTABA:

- Kai kurie sąraše esantys priedai gali būti pateikti įrankio pakuotėje kaip standartiniai priedai. Jie įvairiose šalyse gali skirtis.

EESTI (algsed juhised)

Üldvaate selgitus

1-1. Otsaku kaugus	14-5. Polt	31-4. Servamismasina põhjamoodel (lisatarvik)
1-2. Tööriistaalus	15-1. Tiibmutter	32-1. Kruvi
1-3. Skaala	15-2. Juhtplaat	32-2. Nupu tüüpi käepide
1-4. Lukustushoob	15-3. Sirgjuhk	32-3. Nihutatud otsaku aluse plaat
1-5. Reguleerkrugi	15-4. Keskel olev ava	34-1. Profiilreesimise alus
1-6. Kuuskantmutter	15-5. Polt	34-2. Käepide
2-1. Lüüti	16-1. Nael	35-1. Kruvi
2-2. VÄLJAS (O) pool	16-2. Keskel olev ava	35-2. Nupp
2-3. SEES (I) pool	16-3. Sirgjuhk	36-1. Kangi tüüpi käepide (lisatarvik)
3-1. Kiiruseregulaator	18-1. Pitskrugi (A)	37-1. Reguleerimisnupp
4-1. Pinguta	18-2. Reguleerkrugi	37-2. Lukustushoob
4-2. Keerake lahti	18-3. Pitskrugi (B)	37-3. Sügavusosuti
4-3. Hoidke	18-4. Servamisjuhk	37-4. Stoppervarda seadistumutter
5-1. Pinguta	19-1. Töödeldav detail	37-5. Kiirsõõte nupp
5-2. Keerake lahti	19-2. Otsak	37-6. Stoppervarras
5-3. Võllilukk	19-3. Juhtrullik	37-7. Stopperi plokk
6-1. Etteandesuund	20-1. Pitskrugi	37-8. Reguleerimispol
6-2. Otsaku pöörlemisruund	21-1. Aluse turvis	38-1. Etteandesuund
6-3. Töödeldav detail	21-2. Kruvi	38-2. Otsaku pöörlemisruund
6-4. Sirgjuhk	23-1. Rihmaratas	38-3. Töödeldav detail
8-1. Aluse turvis	23-2. Tsangmutter	38-4. Sirgjuhk
8-2. Kruvid	23-3. Tsangkoonus	40-1. Juhtlatt
8-3. Kruvikeeraja	24-1. Mutrivõti	40-2. Tiibpolt
9-1. Sirgotsak	24-2. Rihmaratas	40-3. Sirgjuhk
9-2. Tald	24-3. Võllilukk	43-1. Kruvi
9-3. Šabloon	25-1. Tsangmutter	43-2. Tald
9-4. Vahemaa (X)	25-2. Tsangkoonus	43-3. Šabloon
9-5. Töödeldav detail	27-1. Rihmaratas	44-1. Otsak
9-6. Šabloonjuhk 10	27-2. Rihm	44-2. Tald
9-7. Aluse turvis	28-1. Lukustushoob	44-3. Šabloon
11-1. Polt	28-2. Nihutatud otsaku alus	44-4. Töödeldav detail
11-2. Juhtplaat	29-1. Mutrivõti	44-5. Vahemaa (X)
11-3. Sirgjuhk	29-2. Kuuskantvõti	44-6. Šabloonjuhiku väliislaabimõõt
11-4. Tiibmutter	29-3. Otsak	44-7. Šabloonjuhk
12-1. Pitskrugi (A)	30-1. Kruvid	46-1. Piirmärgis
12-2. Sirgjuhk	30-2. Nihutatud otsaku aluse plaat	47-1. Kruvikeeraja
12-3. Tiibmutter	30-3. Nihutatud otsaku aluse ülemine sektsioon	47-2. Harjahoidiku kate
12-4. Tald		
14-1. Tiibmutter	31-1. Kangi tüüpi käepide (lisatarvik)	
14-2. Juhtplaat	31-2. Käepideme ühendusseadis (lisatarvik)	
14-3. Sirgjuhk		
14-4. Keskel olev ava	31-3. Nihutatud otsaku aluse plaat	

TEHNILISED ANDMED

Mudel	RT0700C
Tsangpadruni maht	6 mm, 8 mm, 1/4" või 3/8"
Ilma koormuseta kiirus (min ⁻¹)	10 000 - 30 000
Kogupikkus	200 mm
Netomass	1,8 kg
Kaitseklass	II/II

- Meie jätkuva teadus- ja arendustegevuse programmi tõttu võidakse siin antud tehnilisi andmeid muuta ilma ette teatamata.
- Tehnilised andmed võivad olla riigiti erinevad.
- Kaal vastavalt EPTA protseduurile 01/2003

ENE010-1

Ettenähtud kasutamine

Tööriist on ette nähtud puidu, plastiku ja teiste samaste materjalide trimmimiseks ja profileerimiseks.

ENF002-1

Toide

Tööriista võib ühendada ainult selle andmesildil näidatud pingele vastava pingega toiteallikaga ning seda saab kasutada ainult ühefaasilisel vahelduvvoolutoitel. Tööriist on vastavalt Euroopa standardile kahekordse isolatsiooniga ning seega võib seda kasutada ka ilma maandusjuhtmeta pistikupessa ühendatult.

ENG905-1

Müra

Tüüpiline A-korrigeeritud müratase vastavalt EN60745:

Helirõhu tase (L_{pA}) : 82 dB(A)
 Helisurve tase (L_{WA}) : 93 dB(A)
 Määramatus (K) : 3 dB(A)

Kandke kõrvakaitsmeid

ENG900-1

Vibratsioon

Vibratsiooni koguväärtus (kolmeteljeliste vektorite summa) määratud vastavalt EN60745:

Töörežiim: koormusvaba pöörlemine
 Vibratsiooni emissioon (a_h) : 2,5 m/s² või vähem
 Määramatus (K) : 1,5m/s²

Töörežiim: keskmise tihedusega puitkiudplaatidesse lõigete tegemine
 Vibratsioonitase (a_h) : 3,5 m/s²
 Määramatus (K) : 1,5 m/s²

ENG901-1

- Deklareeritud vibratsiooniemissiooni väärtus on mõõdetud kooskõlas standardse testimismeetodiga ning seda võib kasutada ühe seadme võrdlemiseks teisega.
- Deklareeritud vibratsiooniemissiooni väärtust võib kasutada ka mürataseme esmaseks hindamiseks.

⚠️ HOIATUS:

- Vibratsioonitase võib elektritööriista tegelikkuses kasutamise ajal erineda deklareeritud väärtusest sõltuvalt tööriista kasutamise viisidest.
- Rakendage kindlasti operaatori kaitsmiseks piisavaid ohutusabinõusid, mis põhinevad hinnangulisel müratasemel tegelikus tööolukorras (võttes arvesse tööperioodi kõik osad nagu näiteks korrad, mil seade lülitatakse välja ja mil seade töötab tühikäigul, lisaks tööajale).

ENH101-14

Ainult Euroopa riigid

EÜ vastavusdeklaratsioon

Makita korporatsiooni vastutava tootjana kinnitame, et alljärgnev(ad) Makita masin(ad):

masina tähistus:

Servamismasin

udel nr./tüüp: RT0700C

on seeriatoodang ja

vastavad alljärgnevatele Euroopa Parlamendi ja nõukogu direktiividele:

2006/42/EC

ning on toodetud vastavalt alljärgnevatele standarditele või standardiseeritud dokumentidele:

EN60745

Tehnilist dokumentatsiooni hoitakse meie volitatud esindaja käes Euroopas, kelleks on:

Makita International Europe Ltd.

Michigan Drive, Tongwell,

Milton Keynes, MK15 8JD, Inglismaa

14.10.2010



000230

Tomoyasu Kato
direktor

Makita korporatsioon
3-11-8, Sumiyoshi-cho,
Anjo, Aichi, JAAPAN

Üldised elektritööriistade ohutusohiatused

⚠ **HOIATUS** Lugege läbi kõik ohutusohiatused ja juhised. Hoiatuste ja juhiste mittejärgmine võib põhjustada elektrišokki, tulekahju ja/või tõsiseid vigastusi.

Hoidke alles kõik hoiatused ja juhised edaspidisteks viideteks.

SOONEFREESI OHUTUSNÕUDED

- Hoidke elektritööriista isoleeritud käepidemetest, kuna löikur võib puutuda kokku enda juhtmega. Voolu all olevasse juhtmesse lõikamine võib pingestada elektritööriista katmata metallosad ning operaator võib saada elektrilöögi.
- Kasutage klambreid või mõnda muud sobivat viisi töödeldava detaili kinnitamiseks ja toetamiseks stabiilsele alusele. Töödeldava detaili hoidmisel käega või selle toetamisel vastu keha on detail ebastabiilses asendis ning võib põhjustada kontrolli kaotust.
- Pikema tööperioodi kestel kandke kuulmiskaitsevahendeid.
- Käsitsege lõikeotsikuid väga ettevaatlikult.
- Enne toimingu teostamist kontrollige hoolikalt, et lõikeotsikul poleks mõrasid või vigastusi. Asendage pragunenud või vigastatud lõikeotsik viivitamatult.
- Vältige naeltesse sisselõikamist. Enne toimingu teostamist kontrollige töödeldavat detaili ja eemaldage sellest kõik naelad.
- Hoidke tööriista kindlalt käes.
- Hoidke käed eemal pöörlevatest osadest.
- Veenduge, et lõikeotsik ei puudutaks töödeldavat detaili enne tööriista sisselülitamist.
- Enne tööriista kasutamist tegelikus töökeskkonnas laske sellel mõni aeg koormuseta töötada. Jälgige vibratsiooni või vibamist, mis võib viidata valesti paigaldatud lõikeotsikule.
- Olge tähelepanelik lõikeotsiku pöörlemis- ja etteandesuuna suhtes.
- Ärge jätke tööriista käima. Käivitage tööriist ainult siis, kui hoiate seda käes.
- Enne tööriista eemaldamist töödeldavast detailist lülitage tööriist alati vooluvõrgust välja ja oodake, kuni lõikeotsik on täielikult seiskunud.
- Ärge puudutage lõikeotsikut vahetult pärast toimingu lõpetamist; see võib olla väga kuum ja põhjustada põletushaavu.

- Ärge määrige tööriista korpust ettevaatamatult vedeldiga, bensiiniga, õliga ega muude selliste ainetega. Need võivad põhjustada lõhede tekkimise tööriista korpusesse.
- Kasutage õige saba läbimõõduga otsakuid, mis vastavad tööriista kiirusele.
- Mõned materjalid võivad sisaldada mürgiseid aineid. Rakendage meetmeid tolmu sissehingamise ja nahaga kokkupuute vältimiseks. Järgige materjali tarnija ohutusosalast teavet.
- Kasutage alati õiget tolmu maski/respiraatorit, mis vastab materjalile ja rakendusele, millega töötate.

HOIDKE JUHEND ALLES.

⚠ HOIATUS:

ÄRGE laske mugavusel või toote kasutamisharjumustel (mis on saadud korduva kasutuse jooksul) asendada vankumatut toote ohutuseeskirjade järgimist. **VALE KASUTUS** või käesoleva kasutusjuhendi ohutusnõuete eiramine võib põhjustada tõsiseid vigastusi.

FUNKTSIONAALNE KIRJELDUS

⚠️HOIATUS:

- Kandke alati hoolt selle eest, et tööriist oleks enne reguleerimist ja kontrollimist välja lülitatud ja vooluvõrgust lahti ühendatud.

Otsaku kauguse reguleerimine

Joon.1

Otsaku kauguse reguleerimiseks lõdvendage lukustushooba ja nihutage tööriista alust reguleerkruvi keerates vastavalt soovile üles või alla. Pärast reguleerimist pingutage lukustushoob korralikult, et tööriista alus fikseerida.

MÄRKUS:

- Kui tööriist ei ole fikseeritud isegi pärast lukustushooba pingutamist, siis keerake kuuskantmutter tugevamini kinni ja pingutage lukustushooba.

Lüliti funktsioneerimine

Joon.2

⚠️HOIATUS:

- Kontrollige alati enne tööriista vooluvõrku ühendamist, kas tööriist on välja lülitatud.

Tööriista käivitamiseks vajutage lüliti külge, millel on märgis „ON (I)”. Tööriista seiskamiseks vajutage lüliti külge, millel on märgis „OFF (O)”.

Elektrooniline funktsioon

Elektroonilise funktsiooniga varustatud tööriistu on tänu järgmistele omadustele lihtne kasutada.

Püsikiiruse juhtimine

Kiiruse elektrooniline juhtimine püsikiiruse saavutamiseks. Muudab võimalikuks täpselt viimistlemise, kuna pöörlemiskiirus püsib ühtlasena ka koormatuse korral.

Sujuvkäivitus

Sujuvkäivituse funktsioon minimeerib käivitamisel tagasilööki ja võimaldab tööriistal sujuvalt käivituda.

Kiiruseregulaator

Joon.3

Tööriista kiirust saab muuta, valides kiiruseregulaatori skaalal numbrilise väärtuse 1 kuni 6.

Suurem kiirus saavutatakse, kui keerata skaala väärtusele 6, madalama kiiruse saavutamiseks tuleb see keerata väärtusele 1.

See võimaldab valida materjali optimaalseks töötlemiseks sobivaima kiiruse, st kiiruse, mis sobib materjali ja otsaku läbimõõduga kõige paremini.

Tabelis on toodud skaala numbriliste väärtuste ja tööriista ligikaudse kiiruse omavahelised suhted.

Number	min ¹
1	10 000
2	12 000
3	17 000
4	22 000
5	27 000
6	30 000

011932

⚠️HOIATUS:

- Kui tööriista kaua aega katkestamatult madalal kiirusel kasutatakse, tekib mootori ülekoormus, mis põhjustab tööriista tõrkeid.
- Kiiruseregulaatorit saab keerata ainult numbrini 6 ja tagasi numbrini 1. Ärge kiiruseregulaatorit jõuga üle 6 või 1 keerata püüdkte, sest vastasel korral ei pruugi kiiruse reguleerimise funktsioon enam töötada.

KOKKUPANEK

⚠️HOIATUS:

- Kandke alati enne tööriistal mingite tööde teostamist hoolt selle eest, et see oleks välja lülitatud ja vooluvõrgust lahti ühendatud.

Servamisotsaku paigaldamine või eemaldamine

Joon.4

Joon.5

⚠️HOIATUS:

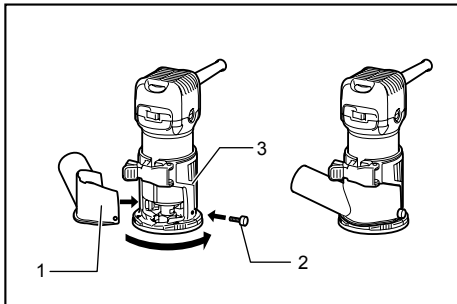
- Ärge pingutage tsangmutrit otsakut sisse panemata, vastasel korral läheb tsangkoonus katki.
- Kasutage üksnes tööriistaga kaasas olevaid mutrivõtmeid.

Sisestage otsak käigu lõpuni tsangkoonusesse ja pingutage tsangmutrit kahe mutrivõtme abil või vajutades völli lukku ja kasutades kaasas olevat mutrivõtit.

Otsaku eemaldamiseks järgige paigaldamise protseduuri vastupidises järjekorras.

TÖÖRIISTA KASUTAMINE

Servamismasina alusele



1. Tolmuotsak
2. Kruvipress
3. Servamismasina alus

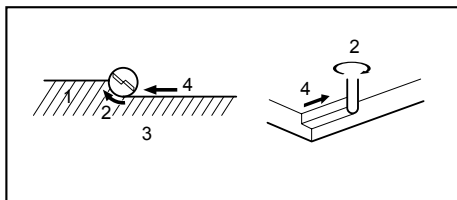
011989

△HOIATUS:

- Enne tööriista kasutamist servamismasina alusega paigaldage servamismasina alusele alati tolmuotsak.

Asetage tööriista alus lõigatavale detailile, ilma et see detaili vastu puutuks. Seejärel lülitage tööriist sisse ja oodake, kuni otsak saavutab täiskiiruse. Liikuge tööriistaga üle töödeldava detaili pinna, hoides tööriista alust sellega kohakuti ja viies löike sujuvalt lõpuni.

Servade lõikamisel peab töödeldava detaili pind jääma seadme liikumise suunas vaadatuna otsakust vasakule.



1. Töödeldav detail
2. Otsaku pöörlemissuund
3. Vaade tööriista pealt
4. Etteandesuund

001984

MÄRKUS:

- Kui tööriista nihutatakse edasi liiga kiiresti, võib see põhjustada löike halva kvaliteedi või kahjustada otsakut või mootorit. Kui tööriista nihutatakse edasi liiga aeglaselt, võib see löikekohta kõrvetada ja kahjustada. Õige edasilikumise kiirus sõltub kasutatava otsaku suuruselt, töödeldavast materjalist ja lõikesügavusest. Enne töö alustamist tegelikult töödeldaval pinnal on soovitatav teha sarnasest materjalist üleliigsel saematerjalitüki proovilõikamine. Nii teate täpselt, kuidas lõige välja näeb, ning saate kontrollida mõõte.

- Servamistalla, sirgjuhiku või servamisjuhiku kasutamisel hoidke seda etteandesuunas paremal pool. Sel juhul on lihtsam juhikut töödeldava pinna servaga kohakuti hoida.

Joon.6

△HOIATUS:

- Kuna liiga sügav lõikamine võib mootori üle koormata või raskendada tööriista valitsemist, ei tohiks lõikesügavus soonte lõikamisel olla korraga suurem kui 3 mm. Kui soovite lõigata sügavamaid sooni kui 3 mm, tehke järjest suureneva lõikesügavusega mitu lõiget.

Šabloonjuhik (lisatarvik)

Joon.7

Šabloonjuhik moodustab otsakule läbimiseks kanali, võimaldades servamismasinat kasutada šabloonidega. Keerake kruvid lahti ja eemaldage aluse turvis. Asetage šabloonjuhiku alusele ja eemaldage aluse turvis. Seejärel fikseerige kruve pingutades aluse turvis.

Joon.8

Kinnitage šabloon töödeldava detaili külge. Asetage tööriist šabloonile ja liigutage tööriista edasi nii, et šabloonjuhik libiseb piki šablooni serva.

Joon.9

MÄRKUS:

- Töödeldav detail lõigatakse šabloonist veidi erineva suurusega. Jätke profiilifreesi otsaku ja šabloonjuhiku väliskülje vahele vahemaa (X). Vahemaa (X) arvutamiseks saab kasutada järgmist valemit:

Vahemaa (X) = (šabloonjuhiku välisläbimõõt - profiilotsaku läbimõõt) / 2

Sirgjuhik (lisatarvik)

Joon.10

Sirgjuhikut kasutatakse faasimisel või soonte lõikamisel sirge löike saamiseks.

Joon.11

Kinnitage juhtplaat poldi ja tiibmutri abil sirgjuhiku külge.

Joon.12

Kinnitage sirgjuhik pitskrui (A) abil. Lõdvendage sirgjuhikul olevat tiibmutrit ja reguleerige otsaku ja sirgjuhiku vahemaad. Soovitud kaugusel keerake tiibmutter tugevasti kinni.

Lõikamisel liigutage tööriista nii, et sirgjuhik oleks töödeldava detaili servaga ühel joonel.

Kui töödeldava detaili külje ja lõikeasendi vahemaa (A) on sirgjuhiku jaoks liiga lai või kui töödeldava detaili serv pole sirge, ei saa sirgjuhikut kasutada. Sellisel juhul kinnitage töödeldava detaili külge sirge laud ja kasutage seda servamismasina aluse vastas juhikuna. Juhtige tööriista noole suunas.

Joon.13

Ringlõigete tegemine

Joon.14

Ringlõigete tegemiseks tuleb monteerida sirgjuhk ja juhtplaat, nagu näidatud joonistel.

Lõigatavate ringide minimaalne ja maksimaalne raadius (ringi keskpunkti ja tera keskpunkti vahekaugus) on järgmine:

Min: 70 mm

Max: 221 mm

70 mm kuni 121 mm raadiusega ringide lõikamiseks.

121 mm kuni 221 mm raadiusega ringide lõikamiseks.

Joon.15

MÄRKUS:

- 172 mm kuni 186 mm raadiusega ringe ei saa selle juhiku abil lõigata.

Joon.16

Seadke sirgjuhiku keskel olev ava lõigatava ringi keskpunkti kohale. Lõige sirgjuhiku fikseerimiseks keskel olevasse avasse alla 6 mm läbimõduga nael. Liikuge tööriistaga päripäeva ümber naela.

Servamisjuhk (lisatarvik)

Joon.17

Servamisjuhiku abil saab hõlpsasti servata, teha kõveraid lõikeid mõõbliisoonis jms. Juhtrullik liigub piki lõikekaart ja kindlustab peene lõike.

Joon.18

Paigaldage servamisjuhk pitskrui abil tööriista aluse külge (A). Lõdvendage pitskrui (B) ning reguleerige otsaku ja servamisjuhiku vahekaugust, keerates reguleerkrui (1 mm pöörde kohta). Soovitud kaugusel keerake pitskrui (B) kinni, et fikseerida servamisjuhk paigale.

Joon.19

Lõikamisel liigutage tööriista nii, et juhtrullik liigub mööda töödeldava detaili serva.

Kallutusalus (lisatarvik)

Kallutusalus (lisatarvik) sobib kasutamiseks faasimisel.

Joon.20

Asetage tööriist kallutusalusele ja sulgege lukustushoob otsakust soovitud kaugusel. Soovitud nurga saamiseks pingutage kallutusaluse külgedel asuvaid kinnituskruve. Kinnitage töödeldava detaili külge tugevasti sirge laud ja kasutage seda kallutusaluse vastas juhikuna. Juhtige tööriista noole suunas.

Kallutusaluselt (lisatarvik) eemaldatud aluse turvis

Monteerides kallutusaluselt eemaldatud aluse turvis servamismasina aluse külge, saate servamismasina ümmarguse aluse asemel kasutada nelinurkset alust.

Teise rakenduse puhul eemaldage aluse turvis kallutusaluselt, keerates lahti neli kruvi ja eemaldades need.

Joon.21

Seejärel monteerige aluse turvis servamismasina aluse külge.

Nihutatud otsaku alus (lisatarvik)

Joon.22

- (1) Nihutatud otsaku alus (lisatarvik) sobib töödeks, mida teostatakse kitsas piirkonnas, näiteks nurgas.

Joon.23

Enne tööriista paigaldamist nihutatud otsaku alusele eemaldage tsangmutter ja tsangkoonus, lõdvendades tsangmutrit.

Joon.24

Paigaldage rihmaratas tööriista külge, vajutades võllilukku ja keerates rihmaratta mutrivõtmega tugevasti kinni.

Joon.25

Paigaldage tsangkoonus ja keerake tsangmutrit nihutatud otsaku alusel nii, nagu joonisel on näidatud.

Joon.26

Monteerige tööriist nihutatud otsaku aluse külge.

Joon.27

Seadke rihmaots üle rihmaratta, kasutades kruvikeerajat, ja veenduge, et rihm asetub kogu oma laiuse ulatuses üle rihmaratta.

Joon.28

Fikseerige see lukustushoova abil nihutatud otsaku aluse külge.

Joon.29

Otsaku paigaldamiseks asetage tööriist koos nihutatud otsaku alusega küljeli. Sisestage kuuskantmutrivõti nihutatud otsaku aluse avasse.

Hoidke kuuskantmutrivõtit selles asendis ja sisestage otsak nihutatud otsaku aluse võllil olevasse tsangkoonusesse vastasküljelt ja keerake tsangmutter mutrivõtme abil tugevasti kinni.

Otsaku eemaldamiseks selle väljavahetamisel järgige paigaldamise protseduuri vastupidises järjekorras.

- (2) Nihutatud otsaku alust (lisatarvik) võib kasutada ka koos servamismasina aluse ja käepideme ühendusseadise (lisavarustus), et saavutada parem stabiilsus.

Joon.30

Keerake kruvid lahti ja eemaldage ülemine seksioon nihutatud otsaku aluselt. Pange nihutatud otsaku aluse ülemine seksioon kõrvale.

Joon.31

Monteerige servamismasina alus nelja kruviga ja käepideme ühendusseadis (lisatarvik) kahe kruviga nihutatud otsaku aluse plaadi külge.

Kruvige kangi tüüpi käepide (lisatarvik) käepideme ühendusseadise külge.

Joon.32

Teise kasutusvõimalusena saab käepideme ühendusseadise külge paigaldada nupu tüüpi käepideme, mis eemaldatakse profiilreesimise aluselt (lisatarvik). Nupu tüüpi käepideme paigaldamiseks asetage see

käepideme ühendusseadisesse ja keerake kruviga kinni.

Joon.33

Kasutamine ainult ülafreesina koos profiilfreesimise alusega (lisatarvik)

⚠ HOIATUS:

- Kui kasutate tööriista ülafreesina, siis hoidke seda kindlalt mõlema käega.

Joon.34

Tööriista kasutamiseks ülafreesina paigaldage tööriist profiilfreesimise aluse (lisatarvik) külge, vajutades selle täielikult alla.

Vastavalt teostatavale tööle võite kasutada kas nupu tüüpi käepidet või kangi tüüpi käepidet (lisatarvik).

Joon.35

Kangi tüüpi käepideme (lisatarvik) kasutamiseks keerake kruvi lahti ja eemaldage nupu tüüpi käepide.

Joon.36

Seejärel kruvige kangi tüüpi käepide aluse külge.

Lõikesügavuse reguleerimine profiilfreesimise aluse (lisatarvik) kasutamisel

Joon.37

Asetage tööriist tasasele pinnale. Lõdvendage lukustushoob ja langetage tööriista korpust, kuni otsak puudutab tasast pinda. Tööriista korpuse lukustamiseks pingutage lukustushooba.

Keerake stoppervarda seadistusmutrit vastupäeva. Langetage stoppervarrast, kuni see puutub vastu reguleerimispolti. Seadke sügavusosuti kohakuti skaalaühikuga „0“. Sügavusosuti näitab skaalal lõikesügavust.

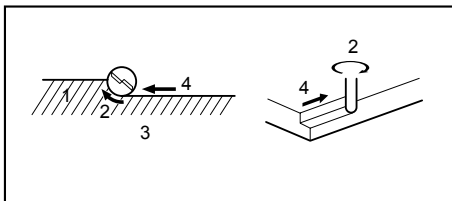
Hoides kiirsõõte nuppu all, tõstke stoppervarrast soovitud lõikesügavuse saavutamiseni. Sügavuse peenhäälestuseks tuleb keerata reguleerimisnuppu (üks pööre = 1 mm).

Keerates stoppervarda seadistusmutrit päripäeva, saate stoppervarda tugevasti fikseerida.

Nüüd tuleb teie poolt etteantud lõikesügavuse saavutamiseks lõdvendada lukustushooba ja seejärel langetada tööriista korpust, kuni stoppervarras satub kontakti stopperi ploki seadistamise kuuskantpoldiga. Hoidke tööriista töötamise ajal alati kindlalt mõlemast käepidemest.

Asetage tööriista alus lõigatavale detailile, ilma et see detaili vastu puutuks. Seejärel lülitage tööriist sisse ja oodake, kuni otsak saavutab täiskiiruse. Langetage tööriista korpust ja liigutage tööriista piki töödeldava detaili pinda, hoides tööriista alust tasaselt vastu pinda ja liikudes sujuvalt edasi, kuni lõige on tehtud.

Servade lõikamisel peab töödeldava detaili pind jääma seadme liikumise suunas vaadatuna otsakust vasakule.



1. Töödeldav detail
2. Otsaku pöörlemissuund
3. Vaade tööriista pealt
4. Etteandesuund

001984

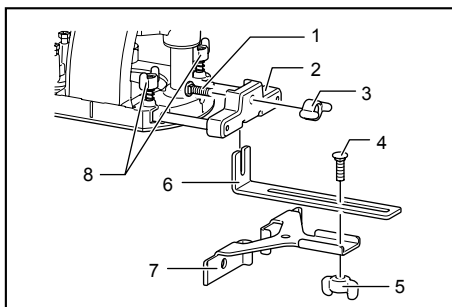
MÄRKUS:

- Kui tööriista nihutatakse edasi liiga kiiresti, võib see põhjustada lõike halva kvaliteedi või kahjustada otsakut või mootorit. Kui tööriista nihutatakse edasi liiga aeglaselt, võib see lõikekohta kõrvetada ja kahjustada. Õige edasiliikumise kiirus sõltub kasutatava otsaku suuruselt, töödeldavast materjalist ja lõikesügavusest. Enne töö alustamist tegelikult töödeldaval pinnal on soovitatav teha sarnasest materjalist üleliigselt saematerjalitüki proovilõikamine. Nii teate täpselt, kuidas lõige välja näeb, ning saate kontrollida mõõte.
- Sirgjuhiku kasutamisel paigaldage see kindlasti seadme liikumise suunas vaadatuna otsakust paremale. Sel juhul on lihtsam juhikut töödeldava pinna servaga kohakuti hoida.

Joon.38

Sirgjuhiku kasutamisel ülafreesina (kasutada koos juhikuhoidikuga (lisatarvik))

Sirgjuhikut kasutatakse faasimisel või soonte lõikamisel sirge lõike saamiseks.



1. Polt
2. Juhikuhoidik
3. Tiibmutter
4. Polt
5. Tiibmutter
6. Juhtplaat
7. Sirgjuhik
8. Tiibpoldid

011988

Paigaldage sirgjuhik tiibmutri abil juhikuhoidikusse (lisatarvik).

Sisestage juhikuhoidik profiilõikamise aluses olevatesse avaustesse ja kinnitage tiibpoltidega. Otsaku ja sirgjuhiku vahekauguse reguleerimiseks lõdvendage tiibmutrit. Soovitud vahemaa saavutamisel pingutage sirgjuhiku fikseerimiseks tiibmutrit.

Sirgjuhik (lisatarvik)

Joon.39

Sirgjuhikut kasutatakse faasimisel või soonte lõikamisel sirge lõike saamiseks.

Joon.40

Sirgjuhiku paigaldamiseks sisestage juhtvardad profiilõikamise aluses olevatesse avaustesse. Reguleerige vahemaa otsaku ja sirgjuhiku vahel. Soovitud vahemaa saavutamisel pingutage sirgjuhiku fikseerimiseks tiibpolte.

Lõikamisel liigutage tööriista nii, et sirgjuhik oleks töödeldava detaili servaga ühel joonel.

Joon.41

Kui töödeldava detaili külje ja lõikeasendi vahemaa (A) on sirgjuhiku jaoks liiga lai või kui töödeldava detaili serv pole sirge, ei saa sirgjuhikut kasutada. Sellisel juhul klammerdage töödeldava detaili külge tugevasti sirge laud ja kasutage seda profiilfreesi aluse juhikuna. Juhtige tööriista noole suunas.

Šabloonjuhik (lisatarvik)

Joon.42

Šabloonjuhik võimaldab kasutada otsaku juhtimiseks kindlat teed, mis järgib mingit kindlat soovitud mustrit. Šabloonjuhiku paigaldamiseks lõdvendage tööriista aluse kruvid, sisestage šabloonjuhik ja kinnitage kruvid.

Joon.43

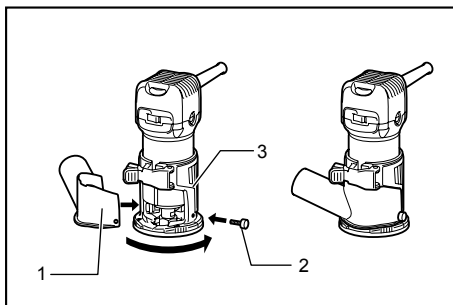
Kinnitage šabloon töödeldava detaili külge. Asetage tööriist šabloonile ja liigutage tööriista edasi nii, et šabloonjuhik libiseb piki šablooni serva.

Joon.44

MÄRKUS:

- Töödeldav detail lõigatakse šabloonist veidi erineva suurusega. Jätke otsaku ja šabloonjuhiku väliskülje vahele vahemaa (X). Vahemaa (X) arvutamiseks saab kasutada järgmist valemit:
$$\text{Vahemaa (X)} = (\text{šabloonjuhiku välisläbimõõt} - \text{otsaku läbimõõt}) / 2$$

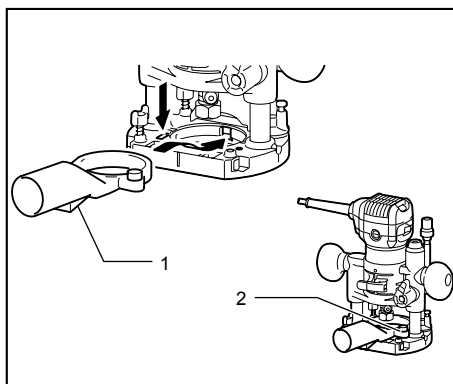
Tolmuotsaku komplektid Servamismasina alusele



1. Tolmuotsak
2. Kruvipress
3. Servamismasina alus

011989

Profiilfreesimise alusele (lisatarvik)



1. Tolmuotsak
2. Kruvipress

011853

Kasutage tolmuotsakut tolmu eraldamiseks. Kinnitage tolmuotsaku eend sobitaks tööriista aluse süvendisse. Seejärel ühendage tolmuotsak tolmuimejaga.

Joon.45

HOOLDUS

⚠HOIATUS:

- Kandke alati enne kontroll- või hooldustoimingute teostamist hoolt selle eest, et tööriist oleks välja lülitatud ja vooluvõrgust lahti ühendatud.
- Ärge kunagi kasutage bensiini, vedeldit, alkoholi ega midagi muud sarnast. Selle tulemuseks võib olla luitumine, deformatsioon või pragunemine.

Süsiharjade asendamine

Joon.46

Võtke välja ja kontrollige süsiharju regulaarselt. Asendage süsiharjad uutega, kui need on kulunud piirmärgini. Hoidke süsiharjad puhtad, nii on neid lihtne oma hooldikutesse libistada. Mõlemad süsiharjad tuleb asendada korraga. Kasutage ainult identseid süsiharju.

Joon.47

Kasutage harjahoidikute kaante eemaldamiseks kruvikeerajat. Võtke ära kulunud süsiharjad välja, paigaldage uued ning kinnitage harjahoidikute kaaned tagasi oma kohale.

Toote OHUTUSE ja TÖÖKINDLUSE tagamiseks tuleb vajalikud remonttööd, muud hooldus- ja reguleerimistööd lasta teha Makita volitatud teeninduskeskustes. Alati tuleb kasutada Makita varuosi.

VALIKULISED TARVIKUD

⚠ HOIATUS:

- Neid tarvikuid ja lisaseadiseid on soovitatav kasutada koos Makita tööriistaga, mille kasutamist selles kasutusjuhendis kirjeldatakse. Muude tarvikute ja lisaseadiste kasutamisega kaasneb vigastada saamise oht. Kasutage tarvikuid ja lisaseadiseid ainult otstarvetel, milleks need on ette nähtud.

Saate vajadusel kohalikust Makita teeninduskeskusest lisateavet nende tarvikute kohta.

- Sirg- ja rihvamisotsakud
- Servafreesimisotsakud
- Laminaadiservamisotsakud
- Sirgjuhiku moodul
- Servamisjuhiku moodul
- Servamismasina põhjamoodul
- Kallutusalus moodul
- Profiilfreesimise aluse moodul
- Nihutatud otsaku aluse moodul
- Šabloonjuhik
- Tsangkoonus, 6 mm
- Tsangkoonus, 6,35 mm (1/4")
- Tsangkoonus, 8 mm
- Tsangkoonus, 9,53 mm (3/8")
- Mutrivõti nr 13
- Mutrivõti nr 22

Servamisotsakud

Sirgotsak

Joon.48

mm				
	D	A	L 1	L 2
20	6	20	50	15
20E	1/4"			
8	8	8	60	25
8	6			
8E	1/4"		50	18
6	6			
6E	1/4"	6	50	18

011929

„U“-soone freesimisotsak

Joon.49

mm					
	D	A	L 1	L 2	R
6	6	6	60	28	3
6E	1/4"				

006486

„V“-soone freesimisotsak

Joon.50

mm				
D	A	L 1	L 2	θ
1/4"	20	50	15	90°

006454

Puuriteravikuga tasaservamisotsak

Joon.51

mm					
	D	A	L 1	L 2	L 3
8	8	8	60	20	35
6	6	6	60	18	28
6E	1/4"				

011930

Puuriteravikuga kahekordne tasaservamisotsak

Joon.52

mm						
	D	A	L 1	L 2	L 3	L 4
8	8	8	80	95	20	25
6	6	6	70	40	12	14
6E	1/4"					

011931

Nurgaümdardusotsak

Joon.53

mm							
	D	A 1	A 2	L 1	L 2	L 3	R
8R	6	25	9	48	13	5	8
8RE	1/4"						
4R	6	20	8	45	10	4	4
4RE	1/4"						

006489

Faasimisotsak

Joon.54

mm					
D	A	L 1	L 2	L 3	θ
6	23	46	11	6	30°
6	20	50	13	5	45°
6	20	49	14	2	60°

006462

Nõgusfreesimisotsak

Joon.55

mm				
D	A	L 1	L 2	R
6	20	43	8	4
6	25	48	13	8

006464

Kuullaagritega tasaservamisotsak

Joon.56

mm			
D	A	L 1	L 2
6	10	50	20
1/4"			

006465

Kuullaagritega nurgaümardusotsak

Joon.57

mm							
D	A 1	A 2	L 1	L 2	L 3	R	
6	15	8	37	7	3,5	3	
6	21	8	40	10	3,5	6	
1/4"	21	8	40	10	3,5	6	

006466

Kuullaagritega faasimisotsak

Joon.58

mm					
D	A 1	A 2	L 1	L 2	θ
6	26	8	42	12	45°
1/4"					
6	20	8	41	11	60°

006467

Kuullaagritega ribitamisosak

Joon.59

mm							
D	A 1	A 2	A 3	L 1	L 2	L 3	R
6	20	12	8	40	10	5,5	4
6	26	12	8	42	12	4,5	7

006468

Kuullaagritega nõgusprofili ribitamisosak

Joon.60

mm								
D	A 1	A 2	A 3	A 4	L 1	L 2	L 3	R
6	20	18	12	8	40	10	5,5	3
6	26	22	12	8	42	12	5	5

006469

Kuullaagritega rooma tüüpi S-profili otsak

Joon.61

mm							
D	A 1	A 2	L 1	L 2	L 3	R 1	R 2
6	20	8	40	10	4,5	2,5	4,5
6	26	8	42	12	4,5	3	6

006470

MÄRKUS:

- Mõned nimekirjas loetletud tarvikud võivad kuuluda standardvarustusse ning need on lisatud tööriista pakendisse. Need võivad riikide lõikes erineda.

РУССКИЙ ЯЗЫК (Исходная инструкция)

Объяснения общего плана

1-1. Выступ биты	14-5. Болт	31-3. Основание смещающейся базы
1-2. Основание инструмента	15-1. Барашковая гайка	31-4. Основание кромкообрезчика в сборе (поставляется отдельно)
1-3. Шкала	15-2. Направляющая пластина	32-1. Винт
1-4. Стопорный рычаг	15-3. Прямая направляющая	32-2. Круглая рукоятка
1-5. Регулировочный винт	15-4. Центральное отверстие	32-3. Основание смещающейся базы
1-6. Шестигранная гайка	15-5. Болт	34-1. Погружная база
2-1. Переключатель	16-1. Гвоздь	34-2. Рукоятка
2-2. Сторона OFF (O) (Выкл.)	16-2. Центральное отверстие	35-1. Винт
2-3. Сторона ON (I) (Вкл.)	16-3. Прямая направляющая	35-2. Круглая ручка
3-1. Поворотный регулятор скорости	18-1. Винт зажима (A)	36-1. Стержневая рукоятка (поставляется отдельно)
4-1. Затянуть	18-2. Регулировочный винт	37-1. Регулировочная ручка
4-2. Ослабить	18-3. Винт зажима (B)	37-2. Рычаг блокировки
4-3. Держите	18-4. Кромкообрезная направляющая	37-3. Указатель глубины
5-1. Затянуть	19-1. Обрабатываемая деталь	37-4. Установочная гайка стопорной опоры
5-2. Ослабить	19-2. Бита	37-5. Кнопка быстрой подачи
5-3. Замок вала	19-3. Направляющий ролик	37-6. Стопорная опора
6-1. Направление подачи	20-1. Зажимные винты	37-7. Стопорный блок
6-2. Направление вращения биты	21-1. Защита основания	37-8. Регулировочный болт
6-3. Обрабатываемая деталь	21-2. Винт	38-1. Направление подачи
6-4. Прямая направляющая	23-1. Шкив	38-2. Направление вращения биты
8-1. Защита основания	23-2. Цанговая гайка	38-3. Обрабатываемая деталь
8-2. Винты	23-3. Цанговый конус	38-4. Прямая направляющая
8-3. Отвертка	24-1. Гаечный ключ	40-1. Стержень направляющей
9-1. Прямая бита	24-2. Шкив	40-2. Барашковый болт
9-2. Основание	24-3. Замок вала	40-3. Прямая направляющая
9-3. Профиль	25-1. Цанговая гайка	43-1. Винт
9-4. Расстояние (X)	25-2. Цанговый конус	43-2. Основание
9-5. Обрабатываемая деталь	27-1. Шкив	43-3. Профиль
9-6. Профильная направляющая 10	27-2. Ремень	44-1. Бита
9-7. Защита основания	28-1. Стопорный рычаг	44-2. Основание
11-1. Болт	28-2. Смещающаяся база	44-3. Профиль
11-2. Направляющая пластина	29-1. Гаечный ключ	44-4. Обрабатываемая деталь
11-3. Прямая направляющая	29-2. Шестигранный ключ	44-5. Расстояние (X)
11-4. Барашковая гайка	29-3. Бита	44-6. Внешний диаметр профильной направляющей
12-1. Винт зажима (A)	30-1. Винты	44-7. Профильная направляющая
12-2. Прямая направляющая	30-2. Основание смещающейся базы	46-1. Ограничительная метка
12-3. Барашковая гайка	30-3. Верхняя часть смещающейся базы	47-1. Отвертка
12-4. Основание	31-1. Стержневая рукоятка (поставляется отдельно)	47-2. Колпачок держателя щетки
14-1. Барашковая гайка	31-2. Насадка рукоятки (поставляется отдельно)	
14-2. Направляющая пластина		
14-3. Прямая направляющая		
14-4. Центральное отверстие		

ТЕХНИЧЕСКИЕ ХАРАКТЕРИСТИКИ

Модель	RT0700C
Размер цангового патрона	6 мм, 8 мм, 1/4" или 3/8"
Число оборотов без нагрузки (мин ⁻¹)	10 000 - 30 000
Общая длина	200 мм
Вес нетто	1,8 кг
Класс безопасности	II/II

- Благодаря нашей постоянно действующей программе исследований и разработок, указанные здесь технические характеристики могут быть изменены без предварительного уведомления.
- Технические характеристики могут различаться в зависимости от страны.
- Масса в соответствии с процедурой EPTA 01/2003

ENE010-1

Назначение

Данный инструмент предназначен для зачистки заподлицо и профилирования дерева, пластмассы и подобных материалов.

ENF002-1

Источник питания

Данный инструмент должен подключаться к источнику питания с напряжением, соответствующим напряжению, указанному на идентификационной пластинке, и может работать только от однофазного источника переменного тока. В соответствии с европейским стандартом данный инструмент имеет двойную изоляцию и поэтому может подключаться к розеткам без провода заземления.

ENG905-1

Шум

Типичный уровень взвешенного звукового давления (A), измеренный в соответствии с EN60745:

Уровень звукового давления (L_{pA}): 82 дБ (A)

Уровень звуковой мощности (L_{WA}): 93 дБ(A)

Погрешность (K): 3 дБ(A)

Используйте средства защиты слуха

ENG900-1

Вибрация

Суммарное значение вибрации (сумма векторов по трем осям) определяется по следующим параметрам EN60745:

Рабочий режим: вращение без нагрузки

Распространение вибрации (a_h): не более 2,5 м/с²

Погрешность (K): 1,5 м/с²

Рабочий режим: вырезание пазов в MDF

Распространение вибрации (a_h): 3,5 м/с²

Погрешность (K): 1,5 м/с²

ENG901-1

- Заявленное значение распространения вибрации измерено в соответствии со стандартной методикой испытаний и может быть использовано для сравнения инструментов.
- Заявленное значение распространения вибрации можно также использовать для

предварительных оценок воздействия.

⚠ ПРЕДУПРЕЖДЕНИ:

- Распространение вибрации во время фактического использования электроинструмента может отличаться от заявленного значения в зависимости способа применения инструмента.
- Обязательно определите меры безопасности для защиты оператора, основанные на оценке воздействия в реальных условиях использования (с учетом всех этапов рабочего цикла, таких как выключение инструмента, работа без нагрузки и включение).

ENH101-14

Только для европейских стран

Декларация о соответствии ЕС

Makita Corporation, являясь ответственным производителем, заявляет, что следующие устройства Makita:

Обозначение устройства:

Триммер

Модель/Тип: RT0700C

являются серийными изделиями и

Соответствует следующим директивам ЕС:

2006/42/ЕС

И изготовлены в соответствии со следующими стандартами или нормативными документами:

EN60745

Техническая документация хранится у официального представителя в Европе:

Makita International Europe Ltd.

Michigan Drive, Tongwell,

Milton Keynes, MK15 8JD, England

14.10.2010



000230

Tomoyasu Kato (Томояшу Като)

Директор

Makita Corporation

3-11-8, Sumiyoshi-cho,

Anjo, Aichi, JAPAN

Общие рекомендации по технике безопасности для электроинструментов

⚠ ПРЕДУПРЕЖДЕНИЕ Ознакомьтесь со всеми инструкциями и рекомендациями по технике безопасности. Невыполнение инструкций и рекомендаций может привести к поражению электротоком, пожару и/или тяжелым травмам.

Сохраните брошюру с инструкциями и рекомендациями для дальнейшего использования.

GEB019-4

ПРАВИЛА ТЕХНИКИ БЕЗОПАСНОСТИ ПРИ ЭКСПЛУАТАЦИИ ТРИММЕРА

1. При выполнении работ существует риск контакта вырезного инструмента с собственным шнуром питания, поэтому держите электроинструмент за специально предназначенные изолированные поверхности. Перерезание провода под напряжением может привести к передаче напряжения на внешние металлические детали инструмента и к удару оператора электрическим током.
2. Для фиксации разрезаемой детали на устойчивой поверхности используйте зажимы или другие соответствующие приспособления. Никогда не держите распиливаемые детали в руках и не прижимайте их к телу, так как это не обеспечит устойчивого положения детали и может привести к потере контроля над инструментом.
3. В случае длительного использования инструмента используйте средства защиты слуха.
4. Аккуратно обращайтесь с битой.
5. Перед эксплуатацией тщательно осмотрите биты и убедитесь в отсутствии трещин или повреждений. Немедленно замените треснувшую или поврежденную биты.
6. Избегайте попадания полотна на гвозди. Перед выполнением работ осмотрите деталь и удалите из нее все гвозди.
7. Крепко держите инструмент.
8. Руки должны находиться на расстоянии от вращающихся деталей.
9. Перед включением выключателя убедитесь, что бита не касается детали.
10. Перед использованием инструмента на реальной детали дайте инструменту

немного поработать вхолостую. Убедитесь в отсутствии вибрации или биения, которые могут свидетельствовать о неправильной установке биты.

11. Помните о направлении вращения биты и направлении ее подачи.
12. Не оставляйте работающий инструмент без присмотра. Включайте инструмент только тогда, когда он находится в руках.
13. Перед извлечением биты из детали всегда выключайте инструмент и ждите остановки движения биты.
14. Сразу после окончания работ не прикасайтесь к бите. Она может быть очень горячей, что приведет к ожогам кожи.
15. Не допускайте небрежной чистки основания инструмента растворителем, бензином, маслом и т. п. Это может привести к возникновению трещин в основании.
16. Используйте насадки, диаметр хвостовика которых соответствует скорости инструмента.
17. Некоторые материалы могут содержать токсичные химические вещества. Примите соответствующие меры предосторожности, чтобы избежать вдыхания или контакта с кожей таких веществ. Соблюдайте требования, указанные в паспорте безопасности материала.
18. Всегда используйте соответствующую пылезащитную маску/респиратор для защиты дыхательных путей от пыли разрезаемых материалов.

СОХРАНИТЕ ДАННЫЕ ИНСТРУКЦИИ.

⚠ ПРЕДУПРЕЖДЕНИИ:

НЕ ДОПУСКАЙТЕ, чтобы удобство или опыт эксплуатации данного устройства (полученный от многократного использования) доминировали над строгим соблюдением правил техники безопасности при обращении с этим устройством. **НЕПРАВИЛЬНОЕ ИСПОЛЬЗОВАНИЕ** инструмента или несоблюдение правил техники безопасности, указанных в данном руководстве, может привести к тяжелой травме.

ОПИСАНИЕ ФУНКЦИОНИРОВАНИЯ

⚠️ ПРЕДУПРЕЖДЕНИ:

- Перед проведением регулировки или проверки работы инструмента всегда проверяйте, что инструмент выключен, а шнур питания вынут из розетки.

Регулировка выступа биты

Рис.1

Для настройки выступа насадки ослабьте стопорный рычаг и переместите основание инструмента вверх или вниз, как то необходимо, для чего поверните регулировочный винт. После завершения регулировки полностью затяните стопорный рычаг, чтобы зафиксировать основание инструмента.

Примечание:

- Если инструмент не закреплен даже после затягивания стопорного рычага, затяните шестигранную гайку, а затем стопорный рычаг.

Действие переключения

Рис.2

⚠️ ПРЕДУПРЕЖДЕНИ:

- Перед включением инструмента в розетку всегда проверяйте, выключен ли инструмент.

Для запуска инструмента нажмите на сторону "ON (I)" переключателя. Для отключения инструмента нажмите на сторону "OFF (O)" переключателя.

Электронная функция

Инструменты, оборудованные электронными функциями, просты в эксплуатации благодаря следующим характеристикам.

Постоянный контроль скорости

Электронный контроль скорости для обеспечения постоянной скорости. Возможность получения тонкой отделки, так как скорость вращения держится на постоянном уровне при условиях нагрузки.

Плавный запуск

Функция плавного запуска уменьшает пусковой удар и смягчает запуск инструмента.

Диск регулировки скорости

Рис.3

Скорость инструмента можно регулировать путем установки поворотного регулятора в одно из фиксированных положений, обозначенных цифрами от 1 до 6.

Для увеличения скорости поворачивайте регулятор в направлении цифры 6. Для уменьшения скорости поворачивайте регулятор в направлении цифры 1.

Это позволяет подобрать оптимальную скорость для обрабатываемого материала, т.е. обеспечивает возможность правильной регулировки скорости в зависимости от материала и диаметра биты.

Соотношение между цифрой на диске и примерной скоростью инструмента см. в таблице.

Цифра	мин ⁻¹
1	10 000
2	12 000
3	17 000
4	22 000
5	27 000
6	30 000

011932

⚠️ ПРЕДУПРЕЖДЕНИ:

- Если инструментом пользоваться непрерывно на низкой скорости в течение продолжительного времени, двигатель будет перегружен, и это приведет к поломке инструмента.
- Диск регулировки скорости можно поворачивать только до цифры 6 и обратно до 1. Не пытайтесь повернуть его дальше 6 или 1, так как функция регулировки скорости может выйти из строя.

МОНТАЖ

⚠️ ПРЕДУПРЕЖДЕНИ:

- Перед проведением каких-либо работ с инструментом всегда проверяйте, что инструмент выключен, а шнур питания вынут из розетки.

Установка или снятие фрезы

Рис.4

Рис.5

⚠️ ПРЕДУПРЕЖДЕНИ:

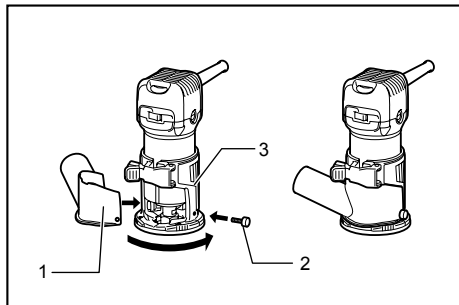
- Не затягивайте цанговую гайку, не вставив фрезу, иначе цанговый конус сломается.
- Пользуйтесь только ключами, поставляемыми вместе с инструментом.

Вставьте насадку в цанговый конус до конца и затяните последний двумя ключами или нажатием на стопор вала и используя соответствующий ключ.

Для снятия биты выполните процедуру установки в обратном порядке.

ЭКСПЛУАТАЦИЯ

Для основания кромкообрезчика



1. Пылесборный патрубок
2. Винт-барашек
3. Основание кромкообрезчика

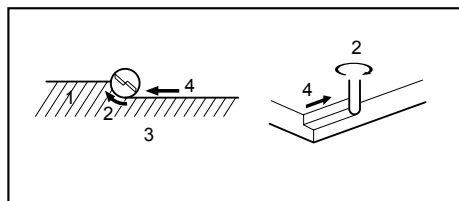
011989

⚠ ПРЕДУПРЕЖДЕНИ:

- Перед началом использования инструмента с основанием кромкообрезчика обязательно устанавливайте на основание кромкообрезчика противоположную насадку.

Установите основание инструмента на распиливаемую деталь так, чтобы режущий инструмент не касался детали. Затем включите инструмент и дождитесь набора режущим инструментом полной скорости. Затем перемещайте инструмент вперед по поверхности детали, прижимая основание инструмента к детали и аккуратно двигая его вперед до завершения разрезания детали.

При осуществлении боковой резки, поверхность обрабатываемой детали должна находиться слева от биты в направлении подачи.



1. Обрабатываемая деталь
2. Направление вращения биты
3. Вид сверху инструмента
4. Направление подачи

001984

Примечание:

- Слишком быстрое перемещение инструмента вперед может ухудшить качество резки или повредить биту или двигатель. Слишком медленное перемещение инструмента вперед может привести к сжиганию и порче выреза. Надлежащая скорость подачи будет зависеть от размера биты, типа обрабатываемой детали и

глубины резки. Перед осуществлением резки на фактической обрабатываемой детали, рекомендуется сделать пробный вырез на куске ненужного пиломатериала. Это позволит точно узнать, как будет выглядеть вырез, а также проверить размеры.

- При использовании башмака фрезера, прямой направляющей или кромкообрезной направляющей, обязательно устанавливайте ее на правой стороне в направлении подачи. Это поможет удерживать ее заподлицо с боковой стороной обрабатываемой детали.

Рис.6

⚠ ПРЕДУПРЕЖДЕНИ:

- Так как чрезмерная резка может привести к перегрузке двигателя или трудностям в управлении инструментом, глубина резки не должна превышать 3 мм за один проход при резке пазов. Если вы хотите вырезать пазы глубиной более 3 мм, сделайте несколько проходов, постепенно увеличивая глубину биты.

Шаблонная направляющая (поставляется отдельно)

Рис.7

Профильная направляющая имеет втулку, через которую проходит бита, что позволяет использовать фрезер с профильными шаблонами.

Отверните винты и снимите защиту основания. Установите профильную направляющую на основание и установите на место защиту. Затем затяните винты для фиксации защиты основания.

Рис.8

Прикрепите профиль к обрабатываемой детали. Установите инструмент на профиль и перемещайте его, продвигая профильную направляющую вдоль боковой стороны профиля.

Рис.9

Примечание:

- Размер вырезанной обрабатываемой детали будет немного отличаться от размера профиля. Обеспечьте расстояние (X) между фрезерной битой и внешней стороной профильной направляющей. Расстояние (X) можно вычислить при помощи следующего уравнения: Расстояние (X) = (наружный диаметр профильной направляющей - диаметр фрезерной биты) / 2

Прямая направляющая (поставляется отдельно)

Рис.10

Прямая направляющая эффективно используется для осуществления прямых вырезов при снятии фасок или резке пазов.

Рис.11

Соедините направляющую планку с прямой направляющей при помощи болта с барашковой гайкой.

Рис.12

Прикрепите прямую направляющую с помощью зажимного винта (А). Ослабьте барашковую гайку на прямой направляющей и отрегулируйте расстояние между фрезой и прямой направляющей. Надежно затяните барашковую гайку на необходимом расстоянии.

При резке, перемещайте инструмент, держа прямую направляющую заподлицо с боковой стороной обрабатываемой детали.

Если расстояние (А) между боковой стороной обрабатываемой детали и положением резки слишком широкое для прямой направляющей, или если боковая сторона обрабатываемой детали неровная, прямую направляющую использовать нельзя. В данном случае, надежно закрепите прямую доску к обрабатываемой детали и используйте ее в качестве направляющей для основания фрезера. Подавайте инструмент в направлении стрелки.

Рис.13

Круговая работа

Рис.14

Круговую работу можно осуществлять при сборке прямой направляющей и направляющей пластины, как показано на рисунках.

Минимальный и максимальный радиусы вырезаемых окружностей (расстояние между центром окружности и центром фрезы) следующие:

Мин.: 70 мм

Макс.: 221 мм

Для выреза окружностей радиусом от 70 мм до 121 мм.

Для выреза окружностей радиусом от 121 мм до 221 мм.

Рис.15

Примечание:

- С использованием данной направляющей, окружности диаметром от 172 мм до 186 мм вырезать нельзя.

Рис.16

Совместите центральное отверстие в прямой направляющей с центром вырезаемой окружности. Вставьте гвоздь диаметром до 6 мм в центральное отверстие для закрепления прямой направляющей. Поверните инструмент вокруг гвоздя по часовой стрелке.

Направляющая кромкообрезчика (поставляется отдельно)

Рис.17

С помощью кромкообрезной направляющей можно осуществлять обрезку кромок, криволинейные вырезы в шпоне для мебели и т.д. Ролик направляющей идет по кривой и обеспечивает точность резки.

Рис.18

Установите кромкообрезную направляющую на основании инструмента с помощью зажимного винта (А). Ослабьте зажимной винт (В) и отрегулируйте расстояние между фрезой и кромкообрезной направляющей путем поворота регулировочного винта (1 мм за оборот). Установив необходимое расстояние, затяните зажимной винт (В) для закрепления кромкообрезной направляющей.

Рис.19

При резке, перемещайте инструмент так, чтобы ролик направляющей перемещался по боковой стороне обрабатываемой детали.

Наклонное основание (поставляется отдельно)

Наклонное основание (поставляется отдельно) удобно для снятия фаски.

Рис.20

Установите инструмент на наклонное основание и закройте стопорный рычаг на необходимом уровне выступа насадки. Для установки угла затяните зажимные винты по бокам.

Надежно зажмите на детали прямую планку и используйте ее в качестве направляющей для основания наклонного основания. Перемещайте инструмент в направлении, показанном стрелкой.

Защитное приспособление основания, снятое с наклонного основания (поставляется отдельно)
Установка защитного приспособления, снятого с наклонного основания, на основание кромкообрезчика позволяет изменять форму основания с круглой на квадратную.

Для другого способа применения снимите защитное приспособление с наклонного основания, ослабив и вывернув четыре винта.

Рис.21

Затем установите защитное приспособление основания на основание фрезера.

Смещающаяся база (поставляется отдельно)

Рис.22

- (1) Смещающаяся база (поставляется отдельно) удобна для работы в ограниченном пространстве, например, в углу.

Рис.23

Перед установкой инструмента на смещающуюся базу снимите цанковую гайку и цанковый конус, ослабив цанковую гайку.

Рис.24

Установите шкив на инструмент, нажав на стопор вала и затянув шкив ключом.

Рис.25

Установите цанковый конус и закрутите цанковую гайку на смещающейся базе как показано на рисунке.

Рис.26

Установите инструмент на смещающуюся базу

Рис.27

Установите край ремня на шкив с помощью отвертки и убедитесь, что ремень установился на шкив по всей ширине.

Рис.28

Зафиксируйте его стопорным рычагом на смещающейся базе.

Рис.29

Чтобы установить насадку, положите инструмент смещающейся базой сбоку. Вставьте шестигранный ключ в отверстие смещающейся базы.

Удерживая шестигранный ключ в таком положении, вставьте насадку в цанковый конус на валу смещающейся базы с противоположной стороны и затяните цанковую гайку ключом.

Для того чтобы снять насадку для замены, выполните процедуру установки в обратном порядке.

(2) Смещающаяся база (поставляется отдельно) может также использоваться с основанием кромкообрезчика и креплением рукоятки (поставляется отдельно) для обеспечения большей устойчивости.

Рис.30

Ослабьте винты и снимите верхнюю часть со смещающейся базы. Уберите верхнюю часть смещающейся базы в сторону.

Рис.31

Закрепите на основании смещающейся базы основание кромкообрезчика с помощью четырех винтов и крепление рукоятки (поставляется отдельно) с помощью двух винтов.

Привинтите стержневую рукоятку (поставляется отдельно) на крепление рукоятки.

Рис.32

Во время другого способа работы круглую рукоятку, снятую с погружной базы (поставляется отдельно), можно установить на крепление рукоятки. Чтобы установить круглую рукоятку, установите ее на крепление рукоятки и зафиксируйте винтом.

Рис.33

При использовании в качестве фасонно-фрезерного станка, используйте только погружную базу (поставляется отдельно).

⚠ ПРЕДУПРЕЖДЕНИ:

- При использовании в качестве фасонно-фрезерного станка крепко удерживайте инструмент обеими руками.

Рис.34

Для использования инструмента в качестве фасонно-фрезерного станка установите его на погружную базу (поставляется отдельно), нажав на него до упора.

Для работы могут использоваться либо круглая рукоятка, либо стержневая рукоятка (поставляется отдельно).

Рис.35

Для использования стержневой рукоятки (поставляется отдельно) ослабьте винт и снимите круглую рукоятку.

Рис.36

Затем прикрутите стержневую рукоятку к основанию.

Регулировка глубины распила при использовании погружной базы (поставляется отдельно)

Рис.37

Установите инструмент на плоскую поверхность. Ослабьте рычаг фиксации и опустите корпус инструмента так, чтобы насадка коснулась поверхности. Затяните рычаг фиксации, чтобы закрепить корпус инструмента.

Поверните гайку регулировки стопорной тяги против часовой стрелки. Опустите стопорную тягу так, чтобы она коснулась регулировочного болта. Совместите указатель глубиномера с отметкой "0" на шкале. Глубина резки указывается на шкале глубиномера.

Удерживая кнопку быстрой подачи нажатой, поднимайте стопорную тягу до тех пор, пока не установите необходимую глубину резки. Точно отрегулировать глубину можно за счет поворота стопорной тяги (1,5 мм на оборот).

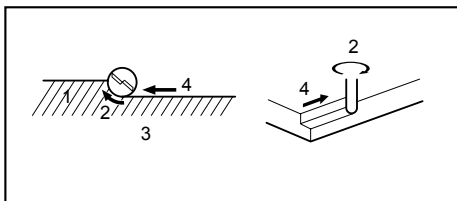
Поворачивая по часовой стрелке регулировочную гайку стопорной тяги, можно надежно зафиксировать стопорную тягу.

Для установки предварительно настроенной глубины резки ослабьте рычаг фиксации и опустите корпус инструмента так, чтобы стопорная тяга коснулась регулировочного болта с шестигранной головкой ограничителя.

Во время работы обязательно удерживайте инструмент за обе рукоятки.

Установите основание инструмента на обрабатываемую деталь, при этом бита не должна ее касаться. Затем включите инструмент и подождите, пока бита наберет полную скорость. Опустите корпус инструмента и двигайте инструмент вперед по

поверхности обрабатываемой детали, держа основание инструмента заподлицо и плавно продвигая его до завершения резки. При осуществлении боковой резки, поверхность обрабатываемой детали должна находиться слева от биты в направлении подачи.



1. Обрабатываемая деталь
2. Направление вращения биты
3. Вид сверху инструмента
4. Направление подачи

001984

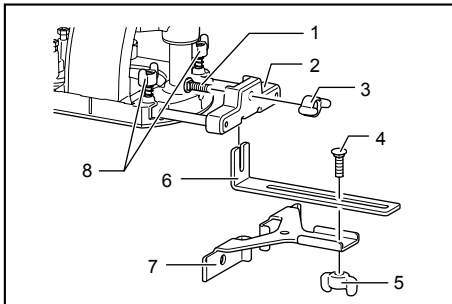
Примечание:

- Слишком быстрое перемещение инструмента вперед может ухудшить качество резки или повредить биту или двигатель. Слишком медленное перемещение инструмента вперед может привести к сжиганию и порче выреза. Надлежащая скорость подачи будет зависеть от размера биты, типа обрабатываемой детали и глубины резки. Перед осуществлением резки на фактической обрабатываемой детали, рекомендуется сделать пробный вырез на куске ненужного пиломатериала. Это позволит точно узнать, как будет выглядеть вырез, а также проверить размеры.
- При использовании прямой направляющей, обязательно устанавливайте ее на правой стороне в направлении подачи. Это поможет удерживать ее заподлицо с боковой стороной обрабатываемой детали.

Рис.38

Прямая направляющая при использовании инструмента в качестве фасонно-фрезерного станка (необходимо также использовать держатель (поставляется отдельно))

Прямая направляющая эффективно используется для осуществления прямых вырезов при снятии фасок или резке пазов.



1. Болт
2. Держатель направляющей
3. Барашковая гайка
4. Болт
5. Барашковая гайка
6. Направляющая пластина
7. Прямая направляющая
8. Стопорные болты с крыльчатой головкой

011988

Установите прямую направляющую на держатель (поставляется отдельно) с помощью барашковой гайки.

Вставьте держатель в отверстия погружной базы и затяните стопорными болтами с крыльчатой головкой. Чтобы отрегулировать зазор между насадкой и прямой направляющей ослабьте барашковую гайку. Отрегулировав необходимый зазор, затяните барашковую гайку, чтобы зафиксировать прямую направляющую.

Прямая направляющая (поставляется отдельно)

Рис.39

Прямая направляющая эффективно используется для осуществления прямых вырезов при снятии фасок или резке пазов.

Рис.40

Чтобы установить прямую направляющую, вставьте направляющие шины в отверстия погружной базы. Отрегулируйте зазор между насадкой и прямой направляющей. Отрегулировав необходимый зазор, затяните стопорные болты с крыльчатой головкой, чтобы зафиксировать прямую направляющую.

При резке, перемещайте инструмент, держа прямую направляющую заподлицо с боковой стороной обрабатываемой детали.

Рис.41

Если расстояние (А) между боковой стороной обрабатываемой детали и положением резки слишком широкое для прямой направляющей, или если боковая сторона обрабатываемой детали неровная, прямую направляющую использовать нельзя. В данном случае, надежно закрепите прямую доску к обрабатываемой детали и используйте ее в качестве направляющей для основания фрезера. Подавайте инструмент в направлении стрелки.

Шаблонная направляющая (поставляется отдельно)

Рис.42

Профильная направляющая имеет втулку, через которую проходит бита, что позволяет использовать инструмент с профильными шаблонами.

Для установки профильной направляющей, ослабьте болты в основании инструмента, вставьте профильную направляющую и затяните болты.

Рис.43

Прикрепите профиль к обрабатываемой детали. Установите инструмент на профиль и перемещайте его, продвигая профильную направляющую вдоль боковой стороны профиля.

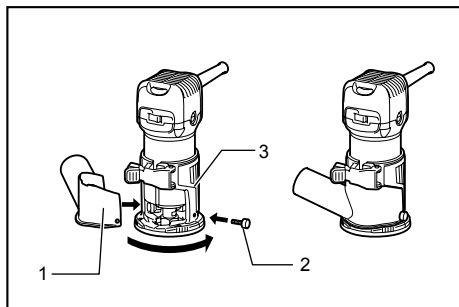
Рис.44

Примечание:

- Размер вырезанной обрабатываемой детали будет немного отличаться от размера профиля. Обеспечьте расстояние (X) между битой и внешней стороной профильной направляющей. Расстояние (X) можно вычислить при помощи следующего уравнения:

Расстояние (X) = (наружный диаметр профильной направляющей - диаметр биты) / 2

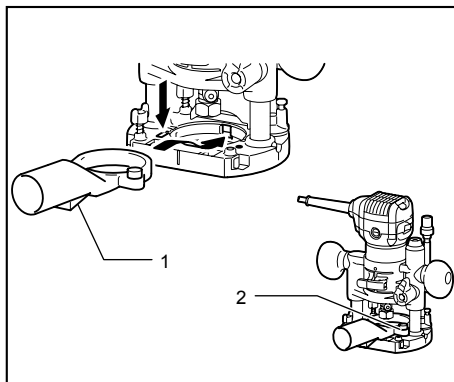
Комплекты противопылевых насадок Для основания кромкообрезчика



1. Пылесборный патрубок
2. Винт-барашек
3. Основание кромкообрезчика

011989

Для погружной базы (поставляется отдельно)



1. Пылесборный патрубок
2. Винт-барашек

011853

Противопылевая насадка используется для удаления пыли. При помощи барашкового винта установите противопылевую насадку на инструмент так, чтобы выступ на противопылевой насадке вошел в паз в основании инструмента.

Затем подсоедините пылесос к противопылевой насадке.

Рис.45

ТЕХОБСЛУЖИВАНИЕ

⚠ ПРЕДУПРЕЖДЕНИ:

- Перед проверкой или проведением техобслуживания всегда проверяйте, что инструмент выключен, а штекер отсоединен от розетки.
- Запрещается использовать бензин, лигроин, растворитель, спирт и т.п. Это может привести к изменению цвета, деформации и появлению трещин.

Замена угольных щеток

Рис.46

Регулярно вынимайте и проверяйте угольные щетки. Заменяйте их, если они изношены до ограничительной отметки. Содержите угольные щетки в чистоте и в свободном для скольжения в держателях положении. При замене необходимо менять обе угольные щетки одновременно. Используйте только одинаковые угольные щетки.

Рис.47

Используйте отвертку для снятия крышек щеткодержателей. Извлеките изношенные угольные щетки, вставьте новые и закрутите крышки щеткодержателей.

Для обеспечения БЕЗОПАСНОСТИ и НАДЕЖНОСТИ оборудования, ремонт, любое другое техобслуживание или регулировку необходимо производить в уполномоченных сервис-центрах Makita, с использованием только сменных частей производства Makita.

ДОПОЛНИТЕЛЬНЫЕ АКСЕССУАРЫ

⚠ ПРЕДУПРЕЖДЕНИ:

- Эти принадлежности или насадки рекомендуется использовать вместе с Вашим инструментом Makita, описанным в данном руководстве. Использование каких-либо других принадлежностей или насадок может представлять опасность получения травм. Используйте принадлежность или насадку только по указанному назначению.

Если Вам необходимо содействие в получении дополнительной информации по этим принадлежностям, свяжитесь со своим местным сервис-центром Makita.

- Биты для прямых и криволинейных пазов
- Биты для образования кромок
- Биты для резки многослойных кромок
- Блок прямой направляющей
- Блок кромкообрезной направляющей
- Основание кромкообрезчика в сборе.
- Наклонное основание в сборе
- Погружная база в сборе
- Смещающаяся база в сборе
- Профильная направляющая
- Цанговый конус 6 мм
- Цанговый конус 6,35 мм (1/4")
- Цанговый конус 8 мм
- Цанговый конус 9,53 мм (3/8")
- Ключ 13
- Ключ 22

Режущий инструмент кромкообрезного станка.

Прямая бита

Рис.48

MM					
	D	A	L 1	L 2	
20	6	20	50	15	
20E	1/4"				
8	8	8	60	25	
8	6		50	18	
8E	1/4"		6	50	18
6	6				
6E	1/4"	6	50	18	

011929

Бита для "U"-образных пазов

Рис.49

MM					
	D	A	L 1	L 2	R
6	6	6	60	28	3
6E	1/4"				

006486

Бита для "V"-образных пазов

Рис.50

MM					
	D	A	L 1	L 2	θ
1/4"	20	50	15	90°	

006454

Бита для обрезки кромок точек сверления заподлицо

Рис.51

MM					
	D	A	L 1	L 2	L 3
8	8	8	60	20	35
6	6	6	60	18	28
6E	1/4"				

011930

Бита для двойной обрезки кромок точек сверления заподлицо

Рис.52

MM						
	D	A	L 1	L 2	L 3	L 4
8	8	8	80	95	20	25
6	6	6	70	40	12	14
6E	1/4"					

011931

Бита для закругления углов

Рис.53

MM							
	D	A 1	A 2	L 1	L 2	L 3	R
8R	6	25	9	48	13	5	8
8RE	1/4"						
4R	6	20	8	45	10	4	4
4RE	1/4"						

006489

Бита для снятия фасок

Рис.54

MM					
D	A	L 1	L 2	L 3	θ
6	23	46	11	6	30°
6	20	50	13	5	45°
6	20	49	14	2	60°

006462

Бита для выкружки

Рис.55

MM				
D	A	L 1	L 2	R
6	20	43	8	4
6	25	48	13	8

006464

Подшипниковая бита для обрезки кромок заподлицо

Рис.56

MM			
D	A	L 1	L 2
6	10	50	20
1/4"			

006465

Подшипниковая бита для закругления углов

Рис.57

MM							
D	A 1	A 2	L 1	L 2	L 3	R	
6	15	8	37	7	3,5	3	
6	21	8	40	10	3,5	6	
1/4"	21	8	40	10	3,5	6	

006466

Подшипниковая бита для снятия фасок

Рис.58

MM					
D	A 1	A 2	L 1	L 2	θ
6	26	8	42	12	45°
1/4"					
6	20	8	41	11	60°

006467

Подшипниковая бита для забортовки

Рис.59

MM							
D	A 1	A 2	A 3	L 1	L 2	L 3	R
6	20	12	8	40	10	5,5	4
6	26	12	8	42	12	4,5	7

006468

Подшипниковая бита для выкружки

Рис.60

MM								
D	A 1	A 2	A 3	A 4	L 1	L 2	L 3	R
6	20	18	12	8	40	10	5,5	3
6	26	22	12	8	42	12	5	5

006469

Подшипниковая бита для S-образного профиля

Рис.61

MM							
D	A 1	A 2	L 1	L 2	L 3	R1	R2
6	20	8	40	10	4,5	2,5	4,5
6	26	8	42	12	4,5	3	6

006470

Примечание:

- Некоторые элементы списка могут водить в комплект инструмента в качестве стандартных приспособлений. Они могут отличаться в зависимости от страны.

Makita Corporation
Anjo, Aichi, Japan

885025-988

www.makita.com